



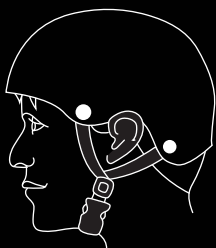
DRIVE



OPERATION MANUAL
H1-DRIVE

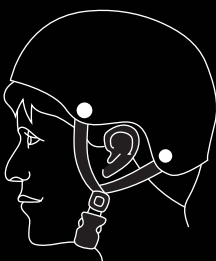
HELMETS SAVE LIVES!

Always wear a properly fitted helmet that complies with CPSC or CE safety standards when you ride your hoverboard.



Correct Fit:

Make sure your helmet covers your forehead.



Incorrect Fit:

Forehead is exposed and vulnerable to serious injury.

WARNING!

PLEASE READ THE OPERATION MANUAL THOROUGHLY.
Failure to follow the basic instructions and safety precautions listed in the operation manual can lead to damage to your Drive, other property damage, serious bodily injury, and even death.

Thank you for purchasing the Hover-1 Drive electric hoverboard. Please read all instructions carefully before using and retain this manual for future reference.

- To avoid collisions, falls, and loss of control, please learn how to ride the Drive safely.
- You can learn how to ride the Drive by reading the operation manual and watching videos.
- Hover-1 can not be held liable for damage or injury caused by failure to understand and/or failure to follow the warnings and instructions in this manual.

ATTENTION

1. Only use the supplied charger from Hover-1 with this hoverboard.
2. The operating temperature range of the Drive is 32°F - 104°F (0°C - 40°C).
3. The operating temperature range of the charger is 32°F - 104°F (0°C - 40°C).
4. Do not ride on icy or slippery surfaces.
5. Read the operation manual and warning labels before riding.
6. Store the Drive in a dry, ventilated environment.
7. When transporting the Drive, avoid violent crashes or impact.

LOW TEMPERATURE WARNING

Low temperatures will affect the lubrication of moving parts inside the Drive hoverboard, increasing internal resistance. Additionally, the discharge capacity and the capacity of the battery will be significantly decreased.

Use caution when riding the Drive in cold temperatures (below 40°F/4°C). Doing so may increase the risk of mechanical failures of the hoverboard, which may lead to damage to your Drive, other property damage, serious bodily injury, and even death.

SAFETY INSTRUCTIONS

- Keep the Drive away from heat sources, direct sunlight, humidity, water, and any other liquids.
- Do not operate the Drive if it has been exposed to water, moisture, or any other liquids to prevent electric shock, explosion, and/or injury to yourself and damage to the Drive.
- Do not use the Drive if it has been dropped or damaged in any way.
- Repairs to electrical equipment should only be performed by the manufacturer. Improper repairs void the warranty and may place the user at serious risk.
- Do not puncture or harm the exterior surface of the product in any way.
- Keep the Drive free from dust, lint, etc.
- Do not use this Drive for anything other than its intended use or purpose. Doing so may damage the Drive or lead to property damage, injury, or death.
- This product is not a toy. Keep out of reach of children.
- Do not expose the batteries to excessive heat, such as direct sunlight or open flame.
- Do not allow hands, feet, hair, body parts, clothing, or similar articles to come in contact with moving parts, wheels, or the drivetrain while the Drive is running.

- Do not operate or allow others to operate the Drive until the user understands all instructions, warnings, and safety features described in this manual.
- Check with your doctor if you have a medical condition that could affect your ability to use the Drive.
- Persons with head, back, neck ailments, or prior surgeries to those areas of the body are not recommended to use the Drive.
- Do not operate if you are pregnant or have a heart condition.
- Persons with any mental or physical conditions that may make them susceptible to injury or impair their physical or mental capabilities to recognize, understand, and perform all of the safety instructions and assume the hazards inherent in operation should not use the Drive.



NOTE:

In this manual, the above symbol with the word “NOTE” indicates instructions or relevant facts the user should understand prior to using the device.



WARNING

In this manual, the above symbol with the word “WARNING” indicates a hazardous situation which, if not avoided, can cause serious injury or death.

SERIAL NUMBER

Please keep your serial number on file for warranty claims as well as proof of purchase.



WARNING

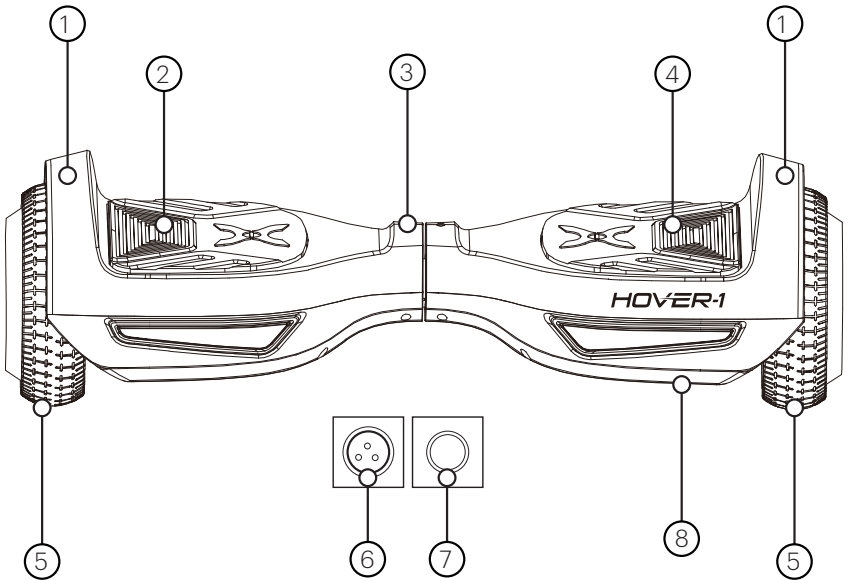
Prolonged Exposure to UV rays, rain, and the elements may damage the enclosure materials. Store indoors when not in use.

INTRODUCTION

The Drive hoverboard is a personal transporter. Our production processes are developed with strict testing for each hoverboard. Operating the hoverboard without following the contents of this manual may lead to damage to your hoverboard or bodily injury.

PACKAGE CONTENTS

- Hover-1 Drive Hoverboard
- Charger & Charging Cable
- Operation Manual



FEATURES/PARTS

- | | |
|----------------------|-----------------------------------|
| 1. Fender | 5. Tire |
| 2. Right Foot Mat | 6. Charge Port (Located in Rear) |
| 3. Battery Indicator | 7. Power Button (Located in Rear) |
| 4. Left Foot Mat | 8. Protective Chassis Casing |

OPERATING PRINCIPALS

The Drive uses digital electronic gyroscopes and acceleration sensors to control balance and motion, depending on the user's center of gravity. The Drive also uses a control system to operate the motors that are located within the wheels. The Drive has a built-in inertia dynamic stabilization system that can assist with balance when moving forward and backward, but not while turning.

TIP – To increase your stability, you must shift your weight during turns, especially when entering a turn at higher speeds.

SPECIFICATIONS

Model:	H1-DRIVE
Net Weight:	14.45 lbs (6.55 kg)
Max Supported Weight:	160 lbs (72.5 kg)
Min Supported Weight:	44 lbs (20 kg)
Motor:	320W (dual 160W motors)
Max Speed:	Up to 7 mph (11.3 km/h)
Max Range:	Up to 3 miles (4.8 km)
Max Incline Angle:	10°
Minimum Turning Radius:	0°
Charge Time:	Up to 6 hours
Battery Type:	Lithium-ion
Battery Voltage:	36V
Battery Capacity:	2Ah
Power Requirement:	AC 100V-240V, 50 Hz/60 Hz
Ground Clearance:	1.5 inches (3.81 cm)
Platform Height:	4.5 inches (11.43 cm)
Tire Size:	6.5 inches (16.51 cm)
Tire Type:	Non-pneumatic solid tires
UL Certification:	UL2272 certified

CONTROLS AND DISPLAY

PLEASE READ THE FOLLOWING INSTRUCTIONS CAREFULLY

TURNING YOUR DEVICE ON/OFF

Power On: Place your Drive flat on the ground and press the power button (located on the rear of your Drive) once. Check the LED indicator (located in the center of your Drive). The battery indicator should be lit, indicating the Drive is powered on.

Power Off: Press the power button once.

MAT SENSORS

There are four sensors under the foot mats of your Drive.

When riding the hoverboard, you must ensure you are stepping on the foot mats. Do not step or stand on any other area of your hoverboard.

The hoverboard may vibrate or spin in one direction if weight and pressure are applied to only one foot mat.

BATTERY INDICATOR

The display board is located in the middle of the Drive.

- A green LED Light indicates the hoverboard is fully charged.
- A red flashing LED light and beeping indicates low battery.
- A yellow flashing LED light indicates the hoverboard is charging.

When the LED light turns red, please recharge the Drive.

RUNNING INDICATOR

When the operator triggers the foot mats, the running indicator LED will light up, which means that the hoverboard has entered the running state.

When the hoverboard encounters an error during operation, the running LED light will turn red (for more details, see "SAFETY ALERTS" on page 16).

BEFORE RIDING

It is important that you fully understand all functions of your Drive. If these functions are not used correctly, you will not have full control of your Drive.

Practice using the Drive at slower speeds in a flat, open area until you are comfortable riding it.

PRE-RIDE CHECKLIST

Ensure that your Drive is in proper working order each time you ride. If a part of the hoverboard does not function correctly, please contact our Customer Support Center.

WARNING

Any Drive that does not work properly can cause you to lose control and fall. Do not ride a Drive with a part that is damaged. Replace the damaged part before riding.

- Ensure the battery is fully charged before riding your hoverboard.
- Please wear all appropriate safety gear before operating your hoverboard.
- Make sure to wear comfortable clothes and flat, closed-toe shoes when operating your hoverboard.

SAFETY PRECAUTIONS

Different localities and countries have different laws about riding electric transportation devices on public roads. You should check with local officials to ensure you are complying with these laws.

Hover-1 is not liable for tickets or violations given to riders who do not follow local laws and regulations.

- For your safety, always wear a helmet that meets CPSC or CE safety standards. In the event of an accident, a helmet can protect you from serious injury and in some cases, even death.
- Obey all local traffic laws. Obey red and green lights, one-way streets, stop signs, pedestrian crosswalks, etc.
- Ride with traffic, not against it.
- Ride defensively; expect the unexpected.
- Give pedestrians the right-of-way.
- Do not ride too close to pedestrians. Alert them if you intend to pass them from behind.
- Slow down at all street intersections and look to the left and right before crossing.
- Your hoverboard is not equipped with reflectors. It is not recommended that you ride in low-visibility conditions.

WARNING

When you ride in low-visibility conditions such as fog, dusk, or at night, you might be difficult to see, which could lead to a collision. Wear bright, reflective clothing when riding in low-visibility conditions.

- Do not ride above your skill level. Ensure you have had enough practice with all functions and features of your Drive.
- Before stepping on your Drive, make sure it is placed flat on level ground, the power is on, and the running indicator light is green. Do not step on if the running indicator light is red.
- Do not try to open or modify your Drive. Doing so voids the manufacturer warranty and may cause your Drive to fail, resulting in injury or death.
- Do not use the Drive in a manner that would put people or property in danger.
- If riding near others, keep a safe distance to avoid collision.
- Be sure to keep your feet on the foot mats at all times. Moving your feet off your Drive while driving is dangerous and may cause the Drive to stop or veer sideways.
- Do not operate the Drive while under the influence of drugs or alcohol.
- Do not operate the Drive when you are restless or sleepy.
- Do not ride your Drive off of curbs, ramps, or in a manner similar to a skateboard. Do not attempt to operate in a skate park or empty pool. Misuse of your Drive voids the manufacturer warranty and may lead to injury or damage.
- Do not continuously spin in place, it will cause dizziness and increases your risk of injury.
- Do not abuse your Drive, doing so can damage your unit and cause failure to the operating system, which may lead to injury. Physical abuse, including dropping your Drive, voids the manufacturer warranty.
- Do not operate in or near puddles of water, mud, sand, stones, gravel, debris, or near rough and rugged terrain.
- The Drive can be used on paved surfaces that are flat and even. If you encounter uneven pavement, please lift your Drive over and past the obstruction.
- Do not ride in inclement weather: snow, rain, hail, sleet, on icy roads, or in extreme heat or cold.
- Bend your knees when riding on bumpy or uneven pavement to absorb

the shock and vibrations. This will help you keep your balance.

- If you are unsure if you can safely ride on a specific terrain, step off and carry your Drive. Always be on the side of caution.
- Do not attempt to ride over bumps or objects greater than ½ inch, even when prepared and bending your knees.
- Pay attention - look at where you are riding and be conscious of the road conditions, people, property, and objects around you.
- Do not operate the Drive in crowded areas.
- Operate your Drive with extreme caution when indoors, especially around people, property, and narrow spaces.
- Do not operate the Drive while talking, texting, or looking at your phone.
- Do not ride your Drive where it is not permitted.
- Do not ride your Drive near motor vehicles or on public roads.
- Do not travel up or down steep hills.
- The Drive is intended for use by a single individual, DO NOT attempt to operate the Drive with two or more people.
- Do not carry anything while riding the Drive.
- Individuals with lack of balance should not attempt to operate the Drive.
- The Drive is recommended for riders ages 8 and older.
- At higher speeds, always take longer stopping distances into consideration.
- Do not step forward off of your Drive.
- Do not attempt to jump on or off your Drive.
- Do not attempt any stunts or tricks with your Drive.
- Do not ride the Drive in dark or poorly lit areas.

- Do not ride the Drive off-road, near or over potholes, cracks, or uneven pavement or surfaces.
- Keep in mind that you are 4.5 inches (11.43 cm) taller when operating the Drive. Make sure to go through doorways safely.
- Do not turn sharply, especially at high speeds.
- Do not step on the fenders of the Drive.
- Avoid riding the Drive in unsafe places, including areas with flammable gas, steam, liquid, dust, or fiber that could cause fire or explosion accidents.
- Do not operate near swimming pools or other bodies of water.

WARNING

When a hoverboard and a kart attachment (sold separately) are being used together, it is NOT ADVISABLE to ride the combo uphill. If you attempt to ride on a steep incline above 5-10°, a safety mechanism built into the hoverboard will activate, which will shut down your hoverboard automatically. If this happens, dismount your hoverboard, place it on a flat surface, wait 2 minutes, then power your hoverboard on again.

WARNING

To reduce the risk of injury, adult supervision is required. Never use in roadways, near motor vehicles, on or near steep inclines or steps, swimming pools, or other bodies of water. Always wear shoes and never allow more than one rider at a time.

RIDING YOUR DRIVE

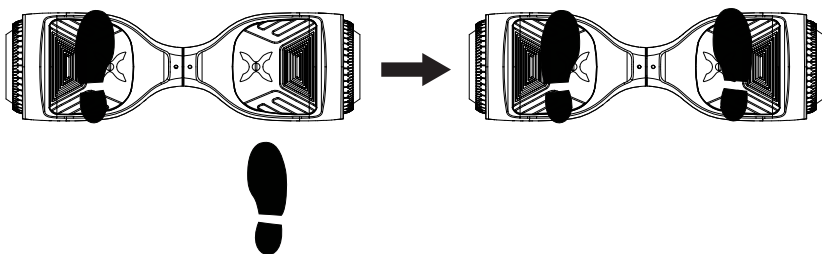
FAILURE TO FOLLOW ANY OF THE FOLLOWING SAFETY PRECAUTIONS MAY LEAD TO DAMAGE TO YOUR DRIVE, DAMAGE TO PROPERTY, VOID YOUR MANUFACTURER WARRANTY, AND MAY CAUSE SERIOUS BODILY INJURY OR DEATH.

Before using your Drive, be sure to familiarize yourself with the operating procedures.

OPERATING YOUR DRIVE

Make sure the Drive is fully charged before initial use. For charging instructions, please refer to "CHARGING YOUR DRIVE" on page 17.

Stand directly behind your Drive and place one foot on the corresponding foot mat (as shown in the diagram below). Keep your weight on the foot that is still on the ground, otherwise the Drive may begin to move or vibrate, making it difficult to step on evenly with your other foot. When you are ready, shift your weight to the foot already placed on the Drive and step on with your second foot quickly and evenly.



NOTES:

Stay relaxed and step on quickly, confidently, and evenly. Imagine climbing stairs, one foot, then the other. Look up once your feet are even. The hoverboard may vibrate or spin in one direction if weight and pressure are applied to only one foot mat. THIS IS NORMAL.

Find your center of gravity. If your weight is distributed correctly on the foot mats and your center of gravity is level, you should be able to stand on your Drive just as if you were standing on the ground.

On average, it takes 3-5 minutes just to get comfortable standing on

your Drive and maintaining proper balance. Having a spotter will help you feel more secure. The Drive is an incredibly sensitive device; it senses even the slightest bit of motion. Having any anxiety or reservation about stepping on may cause you to panic and trigger unwanted movement.

When you first begin using your Drive, the fastest way to move in your desired direction is to focus in that direction. You will notice that just thinking about which way you would like to go will shift your center of gravity, and that subtle movement will propel you in that direction.

Your center of gravity determines which direction you move and your speed. Stand straight up to come to a complete stop. As shown in the diagram below, tilt your center of gravity in the direction you wish to move.

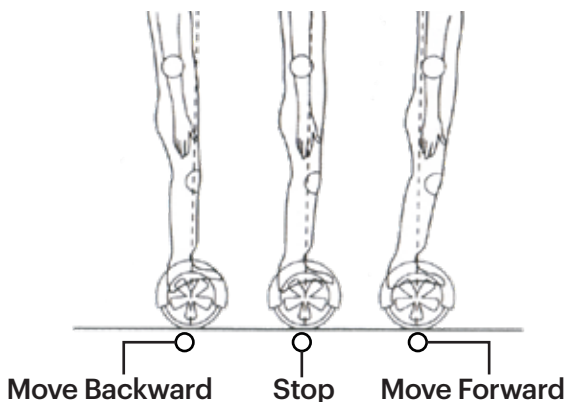
To turn, focus on the direction you wish to turn and stay relaxed. Apply pressure on your right foot to turn right and apply pressure on your left foot to turn left.

WARNING

To avoid danger, do not turn sharply or at high speeds. Do not turn or ride quickly along slopes, as it may cause injury.

As you get comfortable on the Drive, you will notice it becomes easier to maneuver. Remember at higher speeds, it is necessary to shift your weight when making turns to maintain your stability.

Bend your knees if you encounter bumps or uneven surfaces, then dismount and carry your hoverboard to a safe operating surface.

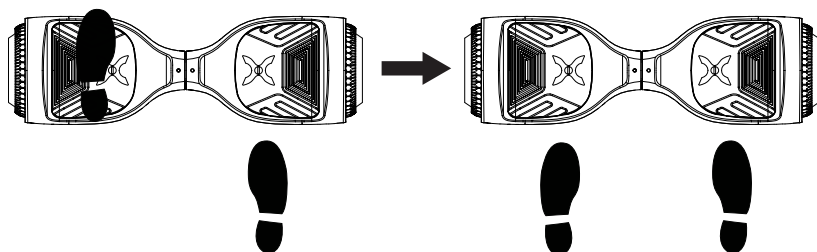




NOTES:

Try staying relaxed and focus on finding your center of gravity to maintain full control of your Drive.

Dismounting your hoverboard can be one of the easiest steps, yet when done incorrectly, may cause you to fall. To properly dismount from a stopped position, lift your dominant leg up and set your foot down on the ground behind you (STEP BACK). Then, step off the hoverboard with your other foot, as shown in the diagram below.



WARNING

Make sure to lift your feet completely off the foot mat to clear the hoverboard when stepping back to dismount. Failure to do so may send the hoverboard into a tailspin.

SPEED AND WEIGHT LIMITATIONS

Speed and weight limits are set for your own safety. Please abide by the limits listed here in the manual.

- Maximum Speed: 7 mph
- Maximum Weight: 160 lbs
- Minimum Weight: 44 lbs



WARNING

Riding the Drive while exceeding the weight limit may increase the possibility of injury or product damage.



NOTES:

When max speed is reached, the Drive will beep to alert the user and tilt the rider slowly back to prevent injury.

OPERATING RANGE

The Drive can travel up to 3 miles on a fully charged battery under ideal conditions. The following are some of the major factors that will affect the operating range of your Drive.

- **Terrain:** Operating range is highest when riding on a smooth, flat surface. Riding uphill and/or on rough terrain will reduce operating range significantly.
- **Weight:** A lighter user will have a higher operating range than a heavier user.
- **Ambient Temperature:** Please ride and store the Drive in recommended temperatures. This will increase operating range, battery life, and overall performance of your Drive.
- **Speed and Riding Style:** Maintaining a moderate and consistent speed while riding produces maximum operating range. Traveling at high speeds for extended periods of time, frequent starts and stops, and idling will decrease overall operating range.

BALANCE & CALIBRATION

If your Drive is unbalanced, vibrating, or not turning properly, you can follow the steps below to calibrate it:

- First, place the Drive on flat ground or the floor. The foot mats should be even with each other and not tilted forward or backward. Make sure the charger is not plugged in and the hoverboard is turned off.
- Press and hold the power button for a total of 10-15 seconds. The hoverboard will turn on, and the battery indicator will light up.
- After the light flashes 5 times consecutively, you may release the power button. Turn the hoverboard off and then back on. Calibration is now complete.

SAFETY ALERTS

If a system error occurs or an improper operation is performed while riding the Drive, the device will alert the user in a variety of ways.

You will notice the running indicator light will turn red and you will hear a beep sound, alerting you to take precaution and cease operation. The hoverboard may stop suddenly.

The following are common occurrences that will produce safety alerts. These notices should not be ignored, and appropriate action should be taken to correct any improper operation, failure, or errors.

- Unsafe riding surfaces (uneven, too steep, unsafe, etc.)
- Battery voltage is too low.
- The Drive is still charging.
- During operation, the platform self initiates to tilt due to excess speed.
- The hoverboard is overheating, or the motor temperature is too high.
- The Drive has been rocking back and forth for over 30 seconds.
- If the system enters protection mode, the alarm indicator will light up and the hoverboard will vibrate. This typically occurs when the battery is about to run out of power.
- **If the platform is tilted forward or backward more than 10 degrees, the Drive will power off and stop suddenly, possibly causing the rider to lose balance or fall off.**
- If any tires are blocked, the Drive will stop after 2 seconds.
- When the battery level has depleted below protection mode, the Drive will power off and stop after 15 seconds.
- If a high discharge current is produced during use (such as driving up a steep slope for a long period of time), the Drive will power off and stop after 15 seconds.

WARNING

When the Drive turns off during a safety alert, all operation systems will halt. Do not attempt to ride the Drive when the system initiates a stop. Turn your Drive off and back on to unlock it from a safety lock.

CHARGING YOUR DRIVE

- Ensure that the charging port is clean and dry.
- Make sure that there is no dust, debris, or dirt inside the port.
- Plug the charger into a grounded wall outlet. The charging indicator light on the charger will be green.
- Connect the charging cable to the power supply (100V-240V; 50 Hz/60 Hz).
- Align and connect the 3-pin charging cable into the charging port of the Drive. **DO NOT FORCE THE CHARGER INTO THE CHARGING PORT, AS THIS MAY CAUSE THE PRONGS TO BREAK OFF OR CAUSE PERMANENT DAMAGE TO THE CHARGING PORT.**
- Once attached to the hoverboard, the charging indicator light on the charger should change to red, indicating that your device is now being charged.
- When the red light on your charger turns to green, then your hoverboard is fully charged. A full charge may take up to 6 hours. While charging, you will see a red light.
- If you charge the hoverboard while it is powered on, you will see a yellow flashing light on the hoverboard that indicates it is charging.
- After fully charging your Drive, unplug the charger from your Drive and the power outlet.

BATTERY CARE / MAINTENANCE

BATTERY SPECIFICATIONS

Battery Type: Rechargeable lithium-ion battery

Charge Time: Up to 6 hours

Voltage: 36V

Initial Capacity: 2Ah

BATTERY MAINTENANCE

- The lithium-ion battery is built into the Drive. Do not disassemble the Drive to remove the battery or attempt to separate it from the Drive.
- Only use the charger and charging cable supplied by Hover-1. Use of any other charger or cable may lead to damage to the hoverboard, overheating, and risk of fire. Use of any other charger or cable voids the manufacturer warranty.
- Do not connect or attach the Drive or the battery to a power supply plug or directly to a car's cigarette lighter.
- Do not place the Drive near a fire or leave it out in direct sunlight. Heating the Drive can break or ignite the battery inside the device.
- Do not continue charging the battery if it does not recharge within the specified charging time. Doing so may cause the battery to become hot, rupture, or ignite.
- To preserve natural resources, please recycle or dispose of batteries properly. This product contains lithium-ion batteries. Local, state, or federal laws may prohibit disposal of lithium-ion batteries in ordinary trash. Consult your local waste authority for information regarding available recycling and/or disposal options.
- Do not attempt to modify, change, or replace your battery.

WARNING

Failure to follow the safety precautions listed below could lead to serious bodily injury or death.

- Do not use your Drive if the battery begins to emit odor, overheats, or begins to leak.
- Do not touch any leaking materials or breathe fumes emitted.
- Do not allow children or animals to touch the battery.
- The battery contains dangerous substances. Do not open the battery or insert anything into the battery.
- Do not attempt to charge the Drive if the battery has discharge or emits any substances. In that case, immediately distance yourself from the battery in case of fire or explosion.



WARNING

SEEK IMMEDIATE MEDICAL ASSISTANCE IF
YOU ARE EXPOSED TO ANY SUBSTANCE
THAT IS EMITTED FROM THE BATTERY.

CARE & MAINTENANCE

- To avoid damage to the Drive's internal circuitry, do not expose it to liquid, moisture, or humidity.
- Do not use abrasive cleaning solvents to clean the Drive.
- Do not expose the Drive to extremely high or low temperatures, as this will shorten the life of the electronic components, destroy the battery, and/or distort certain plastic parts.
- Do not dispose of the Drive in fire as it may explode or combust.
- Do not let the Drive come into contact with sharp objects, as this will cause scratches and damage.
- Do not allow the Drive to fall from high places, as doing so may damage the internal circuitry.
- Do not attempt to disassemble the Drive.
- Only use the charger provided by Hover-1.

WARNING

Avoid using water or other liquids for cleaning. If water or other liquids enter the Drive, it will cause permanent damage to the internal components.

WARNING

Users who disassemble the Drive without permission from Hover-1 will void the warranty.

FCC STATEMENT

This device complies with Part 15 of the FCC Rules. Operation is subject to the following two conditions: (1) this device may not cause harmful interference, and (2) this device must accept any interference received, including interference that may cause undesired operation.

Please note that changes or modifications not expressly approved by the party responsible for compliance could void the user's authority to operate the equipment.

FCC INSTRUCTIONS FOR A CLASS B DIGITAL DEVICE OR PERIPHERAL

Note: This equipment has been tested and found to comply with the limits for a Class B digital device, pursuant to Part 15 of the FCC Rules. These limits are designed to provide reasonable protection against harmful interference in a residential installation. This equipment generates, uses, and can radiate radio frequency energy and, if not installed and used in accordance with the instructions, may cause harmful interference to radio communications. However, there is no guarantee that interference will not occur in a particular installation. If this equipment does cause harmful interference to radio or television reception, which can be determined by turning the equipment off and on, the user is encouraged to try to correct the interference by one or more of the following measures:

- Reorient or relocate the receiving antenna.
- Increase the separation between the equipment and receiver.
- Connect the equipment into an outlet on a circuit different from that to which the receiver is connected.
- Consult the dealer or an experienced radio/TV technician for help.

WARRANTY

For warranty information, please visit us at www.hover-1.com

Manufacturer: DGL Group, Ltd.
2045 Lincoln Highway, Edison, NJ 08817

Affix Serial Number Label Here:





@Hover1Rideables



@RideHover1



@RideHover1



www.Hover-1.com