

ALPHA



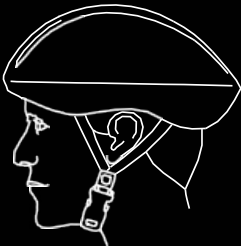
ORIGINAL INSTRUCTION
EU-H1-ALPHA



Read Operator's Manual

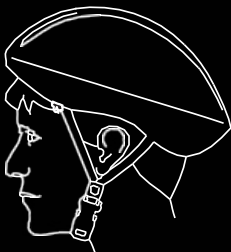
HELMETS SAVE LIVES!

Always wear a properly fitted helmet that complies with CPSC or CE safety standards when you ride your scooter.



Correct Fitting:

Make sure your helmet covers your forehead.



Incorrect Fitting:

Forehead is exposed and vulnerable to serious injury.

WARNING

As with all mechanical components, the Hover-1 Alpha is subjected to wear and high stresses. Different materials and components may react to wear or fatigue in different ways. If the design life of a component has been exceeded, it may suddenly fail possibly causing injuries to the rider. Any form of crack, scratch or change of coloring in highly stressed areas indicate that the life of the component has been reached and it should be replaced. Do not ride in an abusive manner.

CAUTION

In this manual, the CAUTION sign indicates a hazardous situation which, if not avoided, can cause minor or moderate injury.

WARNING

In this manual, the WARNING sign indicates a hazardous situation which, if not avoided, can cause death or serious injury.

WARNING

Great care should be taken with the Hover-1 Alpha when folding or unfolding. If you do not understand how to operate the levers, please visit www.hover-1.eu

DO NOT RIDE YOUR HOVER-1 ALPHA WITHOUT ALL RELEASES SECURELY LOCKED.

WARNING!

PLEASE READ THE USER MANUAL THOROUGHLY.

Failure to follow the basic instructions and safety precautions listed in the user manual can lead to damage to your device, other property damage, serious bodily injury, and even death.

Thank you for purchasing the Hover-1 Alpha. Please read all instructions carefully before using and retain this manual for future use and reference.

This manual applies to the Hover-1 Alpha.

- In order to avoid dangers that are caused by collisions, falls, and loss of control, please learn how to ride the Alpha safely.
- You can learn operating skills by reading the product manual and watching videos.
- This manual includes operating instructions and precautions. Users must read it carefully and follow the instructions.
- All users are responsible for any consequences caused by violating warning contents or prompt operations. Hover-1 can not be held liable.

ATTENTION

1. Use only the supplied charger with this scooter.

Charger Manufacturer: SHENZHEN FUYUANDIAN POWER CO., LTD

Model: FY0634201500

The battery charger FY0634201500 is only to be used with the E-Scooter EU-H1-ALPHA.

If the power supply cord of the charger is damaged, in order to avoid hazards, it must be replaced by Hover-1 only or one of Hover-1's service agents.

2. The operating temperature range of the charger is 0-40 °C (32-104 °F)

3. The operating temperature range of the Alpha is 0-40 °C (32-104 °F)

4. Do not ride on icy or slippery surfaces

5. Read the operation manual and warning labels before riding.

6. Store the Alpha in a dry, ventilated environment.

7. When transporting the Alpha, avoid violent crashes or impact.

LOW TEMPERATURE WARNING

Low temperature will affect the lubrication of moving parts inside the Alpha, increasing internal resistance. At the same time, in low temperatures, the discharge capacity and the capacity itself of the battery will be significantly decreased.

Use caution when riding the Alpha in cold temperatures (below 4 degrees C).

Doing so may increase the risk of mechanical failures of the scooter, which may lead to damage to your device, other property damage, serious bodily injury and even death.

SAFETY INSTRUCTIONS

- Keep the device away from heat sources, direct sunlight, humidity, water and any other liquids.
- Do not operate the device if it has been exposed to water, moisture or any other liquids to prevent against electric shock, explosion and/or injury to yourself and damage to the device.
- Do not use the device if it has been dropped or damaged in any way.
- Repairs to electrical equipment should only be performed by the manufacturer. Improper repair voids the warranty and may place the user at serious risk.
- Do not puncture or harm the exterior surface of the product in any way.
- Keep the device free from dust, lint, etc.
- Do not use this device for anything other than its intended use or purpose. Doing so may damage the device or lead to property damage, injury or death.
- This product is not a toy. Keep out of reach of children.
- Do not expose batteries, battery pack, or batteries installed to excessive heat, such as direct sunlight, or open flame.
- Do not allow hands, feet, hair, body parts, clothing or similar articles to come in contact with moving parts, wheels or drive-train, while the Alpha is running.

- Do not operate, or allow others to operate, the Hover-1 Alpha, until the user understands all instructions, warnings and safety features described in this manual.
- Check with your doctor if you have a medical condition that could affect your ability to use the Hover-1 Alpha.
- Persons with head, back or neck ailments or prior surgeries to those areas of the body are not recommended to use this Hover-1 Alpha.
- Do not operate if you are pregnant, have a heart condition, or have both.
- Persons with any mental or physical conditions that may make them susceptible to injury or impair their physical or mental capabilities to recognize, understand and perform all of the safety instructions and to be able to assume the hazards inherent in unit use, should not use the Hover-1 Alpha.



NOTES:

In this manual, the above symbol with the word "NOTES" indicates instructions or relevant facts the user should remember prior to using the device.



CAUTION!

In this manual, the above symbol with the word "CAUTION" indicates a hazardous situation which, if not avoided, can cause minor or moderate injury.



WARNING!

In this manual, the above symbol with the word "WARNING" indicates a hazardous situation which, if not avoided, can cause death or serious injury.

SERIAL NUMBER

Please keep the serial number on file for warranty claims as well as proof of purchase.



WARNING!

WARNING: Prolonged exposure to UV rays, rain and the elements may damage the enclosure materials. Store indoors when not in use.

INTRODUCTION

This manual is designed to give you the information you need for the safe operation and maintenance of your new Alpha scooter. Please read it thoroughly before riding your Alpha.

WARNING

Make sure you read this complete manual before riding your Hover-1 Alpha. Failure to do so, or failure to follow its guidelines could lead to serious injury or death.

The Alpha is a personal transporter. Our technology and production processes are developed with strict testing for each Alpha scooter. Operating the Alpha without following the contents of this manual may lead to damage to your Alpha scooter, or bodily injury.

PACKAGE CONTENTS

- Hover-1 Alpha Electric Folding Scooter
- Charging Cable
- Charger
- Air Pump
- Operation Manual
- Quick Start Guide + Stop Card

Your Hover-1 Alpha's serial number is stamped respectively on the bottom of the platform. Record the serial number in the designated area of the "WARRANTY" section of this manual in the event that your Hover-1 Alpha is lost or stolen.

SAFETY PRECAUTIONS

- Different localities and countries have different laws governing riding electric transportation devices on public roads.
- You should check with local officials to ensure you are complying with local traffic law requirements.
- Hover-1 is not liable for tickets or violations given to riders who do not follow local laws and regulations.
- For your safety, always wear a helmet that meets CPSC or CE safety standards. In the event of an accident, a helmet can protect you from serious injury and in some cases, even death.

- Obey all local traffic laws. Obey red and green lights, one-way streets, stop signs, pedestrian crosswalks, etc.
- Ride with the traffic, not against it.
- Ride defensively; expect the unexpected.
- Give pedestrians the right-of-way.
- Do not ride too close to pedestrians and alert them if you intend to pass them from behind.
- Slow down at all street intersections and look to the left and right before crossing.

Your Alpha electric folding scooter is not equipped with reflectors. It is not recommended that you ride in conditions of low visibility.

If you are riding your scooter in low-visibility conditions, ensure your LED light is turned on, and that you are wearing bright, reflective clothing.

WARNING

When you ride in low-visibility conditions such as fog, dusk, or night, you might be difficult to see, which could lead to a collision. To increase your level of safety, be sure wear bright, reflective clothing when riding in poor lighting conditions.

Think about safety when you ride. You can prevent many accidents if you think about safety. Below is a helpful checklist for riders.

SAFETY CHECKLIST

- Do not ride above your skill level. Ensure you have had enough practice with all functions and features of your Alpha.
- Do not ride too fast – with increased speed comes increased risk. If you are moving at a higher speed, small bumps can turn into large impacts, leading to a higher risk of injury if an accident occurs.
- Do not ride with pets.
- Before stepping on your Alpha, make sure it is placed flat on level ground and the power is on.

- Do not try to open or modify your Alpha scooter. Doing so, voids the manufacturer warranty and may cause your Alpha to fail, resulting in injury or death.
- Do not use the Alpha in a manner that would put people or property in danger.
- If you and your friend(s) are riding Alpha scooters together, be sure to keep a safe distance between each other to prevent collisions, property damage, serious injuries or even death.
- Be sure to keep your feet on the scooter at all times. Moving your feet off your scooter while driving is dangerous and may cause the scooter to stop or veer sideways.
- Do not operate the Alpha while under the influence of drugs and/or alcohol.
- Do not operate the Alpha when you are restless or sleepy.
- Use your best judgment to keep yourself out of dangerous situations with your Alpha.
- Do not ride your Alpha scooter off of curbs, ramps, or attempt to operate in a skate park, empty pool, or in any way similar to a skateboard. Misuse of your Alpha, voids the manufacturer warranty and may lead to injury or damage.
- Do not abuse your Alpha, doing so can damage your unit and cause failure to the operating system which may lead to injury. Physical abuse, including dropping your Alpha scooter, voids the manufacturer warranty.
- Do not operate in or near puddles of water, mud, sand, stones, gravel, debris or near rough and rugged terrain.
- The Alpha can be used on paved surfaces that are flat and even. If you encounter uneven pavement, please lift your Alpha scooter over and past the obstruction.
- Do not ride in inclement weather: snow, rain, hail, sleet, on icy roads or in extreme heat or cold.
- Bend your knees when riding on bumpy or uneven pavement to absorb the shock and vibration and help you keep your balance.
- If you are unsure if you can safely ride on a specific terrain, step off



WARNING

Proper use of your brake is vital to ensure safe, efficient stopping. To avoid misuse and potential injury, do not apply sudden or excessive force to your brakes. Apply your brakes gradually and give yourself enough room to come to a complete stop safely.

and carry your Alpha. ALWAYS BE ON THE SIDE OF CAUTION.

- Do not attempt to ride over bumps or objects greater than ½ in. even when prepared and bending your knees.
- PAY ATTENTION - look at where you are riding and be conscious of the road conditions, people, places, property and objects around you.
- Do not operate the Alpha scooter in crowded areas.
- Operate your Alpha scooter with extreme caution when indoors, especially around people, property, and narrow spaces.
- Do not operate the Alpha while talking, texting, or looking at your phone.
- Do not ride your Alpha scooter where it is not permitted.
- Do not ride your Alpha near motor vehicles or on public roads.
- Do not travel up or down steep hills.
- The Alpha is intended for use by a single individual, DO NOT attempt to operate the Alpha with two or more people.
- Do not carry anything while riding the Alpha scooter.
- Individuals with lack of balance should not attempt to operate the Alpha scooter.
- Pregnant women should not operate the Alpha scooter.
- Young children and the elderly should not operate the Alpha.
- At higher speeds, always take into consideration longer stopping distances.
- Do not attempt to jump on or off your Alpha scooter.

WARNING

When you ride in low-visibility conditions such as fog, dusk, or night, you might be difficult to see, which could lead to a collision. In addition wear bright, reflective clothing when riding in poor lighting conditions.

- Do not attempt any stunts or tricks with your Alpha scooter.
- Do not ride the Alpha in dark or poorly lit areas.
- Do not ride the Alpha near or over potholes, cracks or uneven pavement or surfaces.
- Do not operate your Alpha scooter off-road.
- Do not turn sharply, especially at high speeds.
- Do not exceed the maximum or minimum weight limits.
- Avoid driving the Alpha in unsafe places, including near areas with flammable gas, steam, liquid, dust, fiber, which could cause fire and explosion accidents.
- Do not operate near swimming pools or other bodies of water.
- When leaving the scooter unattended, be sure to lock it to avoid use by others causing harm to themselves and damage to or theft of the scooter.

WARNING

There may be additional risk to injury if you use your scooter incorrectly. This includes, but is not limited to:

- Jumping your scooter
- Riding over debris or obstacles
- Performing stunts
- Riding in off-road terrain
- Riding fast
- Racing other riders
- Riding in unusual manner

The aforementioned examples add stress to each part of your scooter and can lead to long term damage of the device. Damage to your scooter can lead to an accident or increase your risk of injury. To decrease your risk of injury, use your scooter correctly.

WARNING

To reduce the risk of injury, adult supervision is required. Never use in roadways, near motor vehicles, on or near steep inclines or steps, swimming pools or other bodies of water; always wear shoes, and never allow more than one rider.

CARE & MAINTENANCE

- Do not expose the device to liquid, moisture, or humidity to avoid damage to the product's internal circuitry.
- Do not use abrasive cleaning solvents to clean the device.
- Do not expose the device to extremely high or low temperatures as this will shorten the life of the electronic device, destroy the battery, and/or distort certain plastic parts.
- Do not dispose of the device in fire as it may explode or combust.
- Do not expose the device to contact with sharp objects as this will cause scratches and damage.
- Do not let the device fall from high places, as doing so may damage the internal circuitry.
- Do not attempt to disassemble the device.
- Use only the charger provided by Hover-1.

WARNING

Avoid using water or other liquids for cleaning. If water or other liquids enter the Alpha, it will cause permanent damage to the internal components.

WARNING

Users who disassemble the Alpha scooter without permission will void the warranty.

BATTERY CARE / MAINTENANCE

BATTERY SPECIFICATIONS

Battery Type: Rechargeable lithium-ion battery

Charge Time: Up to 5 hours

Battery Voltage: 36V

Battery Capacity: 6 Ah

Working Temperature: 0 °C - 40 °C

Charging Temperature: 0 °C - 40 °C

Storage Time: 1 year

Storage Temperature: -20 °C - 40 °C

Storage Humidity: 5% - 95%

BATTERY MAINTENANCE

The lithium-ion battery is built into the device. Do not disassemble the device to remove the battery or attempt to separate it from the device.

- When charging the device, please use the enclosed 1-pin charging cable or otherwise ensure that the battery charging conditions are met.
- Do not connect or attach the device or the battery to a power supply plug or directly to a car's cigarette lighter.
- Do not place the device or batteries near a fire, or into direct sunlight. Heating the device and/or the battery can cause additional heating, breaking, or ignition of the battery inside the device.
- Do not continue charging the battery if it does not recharge within the specified charging time. Doing so may cause the battery to become hot, rupture, or ignite.

To preserve natural resources, please recycle or dispose of batteries properly. This product contains lithium-ion batteries. Local, state, or federal laws may prohibit disposal of lithium-ion batteries in ordinary trash. Consult your local waste authority for information regarding available recycling and/or disposal options.

WARNING

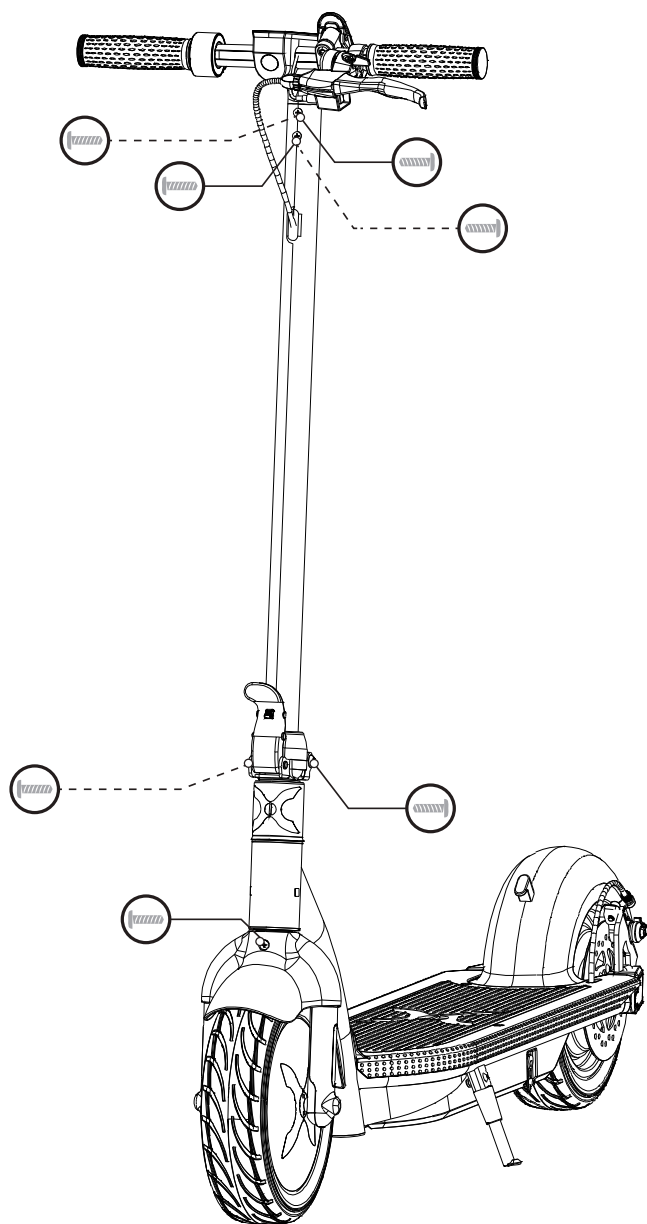
Failure to follow the safety precautions listed below could lead to serious bodily injury and/or death.

- Do not attempt to modify, change, or replace your battery.
- Do not use your device if the battery begins to emit odor, overheats, or begins to leak.
- Do not touch any leaking materials or breathe fumes emitted.
- Do not allow children and animals to touch the battery.
- The battery contains dangerous substances, do not open the battery, or insert anything into the battery.
- Please only use the charger provided by Hover-1.
- Do not attempt to charge the device if the battery has discharge or emits any substances. In that case, immediately distance yourself from the battery in case of fire or explosion.
- Lithium-ion batteries are considered to be hazardous materials. Please follow all local, state and federal laws in regards to recycling, handling and disposing of Lithium-ion batteries.

 **WARNING**

SEEK IMMEDIATE MEDICAL ASSISTANCE IF
YOU ARE EXPOSED TO ANY SUBSTANCE
THAT IS EMITTED FROM THE BATTERY.

- Check the screws indicated in below diagram every 3 months. If you detect any loose part, re-tighten using the wrench provided.

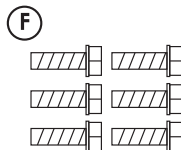
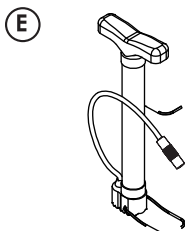
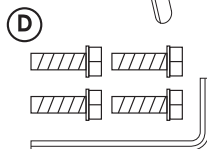
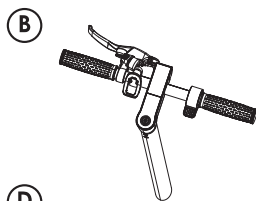
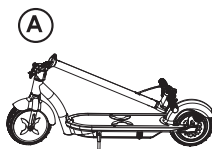


SPECIFICATIONS

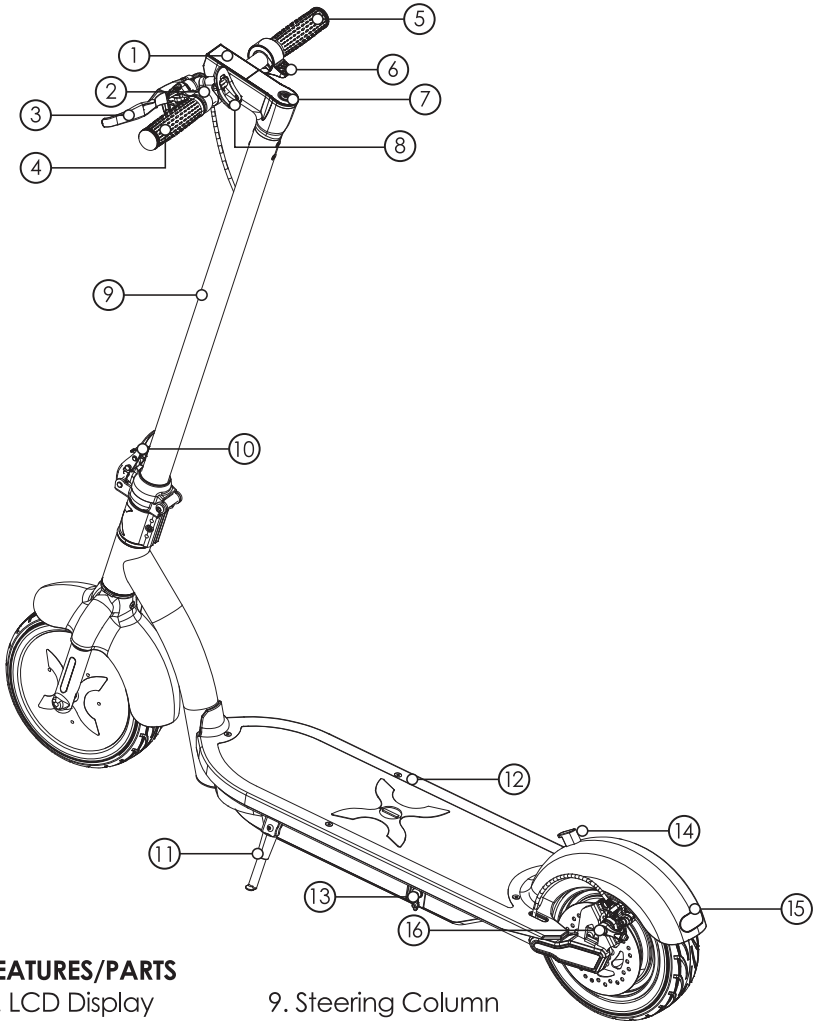
Model:	EU-H1-ALPHA
Net Weight:	17.1 kg (37.7 lbs)
Max Supported Weight:	120 kg (264 lbs)
Min Supported Weight:	20 kg (44 lbs)
Max Speed:	Up to 15.5 mph (25 km/h)
Max Distance Range:	Up to 19.3 km (12 mi)
Battery Type:	Lithium-ion
Motor Power:	450W Brushless Motor
Battery Voltage:	36 V
Battery Capacity:	6Ah (30 Cell)
Speaker:	3 W
Power Requirement:	100-240 V, 50/60 Hz
Folding Size:	114.3 cm x 42.4 cm x 52.8 cm (45.0" x 16.6" x 20.7")
Open Size:	114.3 cm x 42.4 cm x 121.3 cm (45.0" x 16.6" x 47.7")
Tire Type:	Inflated Rubber Tires
Tire Size:	25.4 cm Front & Rear
Brake Type:	Handle Activated Rear Disk
BT ID:	D034634
Contains FCC ID:	2AANZALPHA

PARTS LIST

- A.** Scooter Frame
- B.** Handle Bar Assembly
- C.** Charger + Charging Cable
- D.** Allen Wrench & Bolts
- E.** Air Pump
- F.** 6pcs Spare Bolts



HOVER-1 ALPHA DIAGRAM



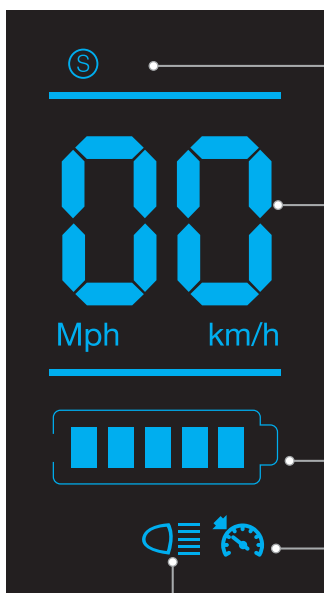
FEATURES/PARTS

- | | |
|------------------|----------------------|
| 1. LCD Display | 9. Steering Column |
| 2. Bell | 10. Folding Lock |
| 3. Brake Handle | 11. Kickstand |
| 4. Handlebars(L) | 12. Scooter Platform |
| 5. Handlebars(R) | 13. Charging Port |
| 6. Throttle | 14. Folding Hook |
| 7. Power Button | 15. Brake Light |
| 8. Folding Clip | 16. Rear Disc Brake |

HOVER-1 ALPHA DIAGRAM



LCD DISPLAY



HIGH SPEED MODE

Indicates high speed mode is activated.

Press 3 times constantly to switch between Mph and Km/h.

SPEEDOMETER

Displays your current speed in Mph.

Ensure it is power on, Press once to switch high speed / low speed mode:

1 - Low speed mode

2- High speed mode

Under Low speed mode, the max speed is 12km/h(7mph), Under High speed

mode, the max speed is 25km/h(15.5mph).

BATTERY INDICATOR

Displays your current battery level.

CRUISE CONTROL ICON

Indicates cruise control is activated.

While riding, press the Throttle down two times quickly, you will hear a beep and

the cruise control indicator will light up on the LCD display indicating that it is

activated; Press the Throttle down once

or squeeze the Brake Handle to cancel

cruise control.

HEADLIGHT ICON

Indicates the headlight is activated.

Press the power button two times quickly to turn on/off headlight.

BLUETOOTH SPEAKER

The scooter has a powerful built-in wireless speaker so you can play your music while riding.

PAIRING THE SPEAKER

- 1) Turn on your scooter, and the speaker will "Ping" to announce that it's waiting for a Bluetooth® connection. This will indicate your scooter speaker is now in pairing mode.
- 2) Place the scooter and the Bluetooth® device to which you would like to pair it within the operating distance. We recommend keeping the two devices no further than 3 feet apart during pairing.
- 3) Ensure Bluetooth® is enabled on your phone or music device. Refer to manufacturer's instructions for how to enable Bluetooth® on your device.
- 4) Once you have activated Bluetooth® on your device, select the option "EU-H1-ALPHA" from the list of available Bluetooth® devices.
- 5) If required, enter the PIN code "000000" and confirm the entry.
- 6) The scooter will say "Paired" when successfully paired.
- 7) Please note, pairing mode on the scooter will last for two minutes. If no devices are paired after two minutes, the scooter speaker will automatically return to standby mode.
- 8) If pairing is unsuccessful, turn off the scooter first and re-pair following the aforementioned steps.
- 9) If your smart phone is out of range, or the battery is low on your scooter, your speaker may disconnect from your smart device, and the hoverboard will say "Disconnected." To reconnect, follow the aforementioned steps, or recharge your scooter.

NOTE: Once you have paired the scooter speaker with a device, the speaker will remember this device and will pair automatically when the device's Bluetooth® is activated and in range. You do not need to re-pair any previously connected devices.

Your scooter can pair up to two multi-point devices. You can reconnect a previously paired device without going through the pairing or PIN process on up to two devices.

LISTENING TO MUSIC

Once the Bluetooth speaker is paired to your device, you can stream music wirelessly through it. Select the track you wish to listen to on your device to listen via the speaker. All volume and track controls will be made using your music device. Should you encounter any problems while streaming, please refer to your device's user manual.

CHARGING YOUR ALPHA

CHARGING THE DEVICE

- Ensure that the charging port is clean and dry.
- Make sure that there is no dust, debris or dirt inside the port.
- Plug the charger into a grounded wall outlet.
- Connect the cable with the power supply (100V ~ 240V; 50/60 Hz).
- Align and connect the 1-pin charging cable into the charging port of the Alpha Scooter.

(DO NOT FORCE OR BEND THE CHARGING CABLE AS IT MAY CAUSE THE PRONGS TO BEND OR BREAK.)

- The charging indicator light on the charger itself should change to RED, indicating that your device is now being charged.
- When the RED indicator light on your charger turns to GREEN, then your device is fully charged.
- After fully charging your Alpha Scooter, unplug the charger from your device and from the power outlet.

CAUTION

Only use the included charging cable and charger to charge your Hover-1 Alpha. Using any other unauthorized charger may damage your Hover-1 Alpha.

WARNING

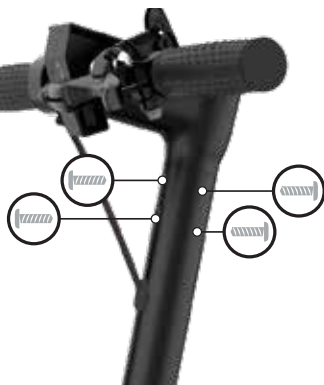
Any Alpha that does not work properly can cause you to lose control and fall. Inspect the entire device thoroughly before every ride, and do not ride it until any problems have been corrected.

PREPARING YOUR SCOOTER

PLEASE READ THE FOLLOWING INSTRUCTIONS CAREFULLY

ATTACHING THE HANDLEBAR KIT

Attach the handle bar kit by placing it into the steering column, align the front and back screw holes, and tighten the 4 screws into place.



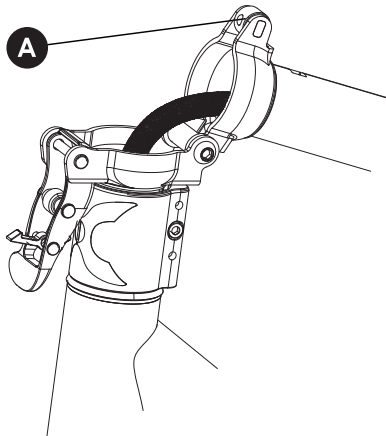
PINCH POINTS

Some parts of your Hover-1 Alpha can injure you if mishandled. Moving and folding parts can cut skin. Clamps and pivoting parts such as brake levers can pinch. When folding and unfolding your Hover-1 Alpha, Please watch for pinch points where possible injury may be sustained. Do not leave your hand in these areas during folding or unfolding.



LOCKING MECHANISM

After riding the scooter, the locking mechanism may loosen over time. If you notice the steering column is loose, don't ride the scooter until it is fully secured. Use the 2.5 Allen wrench provided to tighten point "A" (marked below) until the locking mechanism fits securely. If you are unable to close the mechanism completely, you may need to loosen "A" slightly until the locking mechanism is able to close securely.



FOLDING & UNFOLDING

FOLDING & UNFOLDING YOUR ALPHA SCOOTER.

To unfold your Alpha, press down on the folding clip and pull the steering column up. Raise the safety lock up and push it into place to secure the steering column. You will hear a “click”, indicating the steering column is locked. Ensure the steering column is secured in place.



Release folding clip
to fold steering column

HIGH SPEED MODE

To active high speed mode, ensure the Alpha is powered on and not in motion. Press the power button once, the high speed mode indicator should light up on your display to indicate it is activated.

CRUISE CONTROL

To active cruise control while riding, press the Throttle down two times quickly, you will hear a beep and the cruise control indicator will light up on the LCD display indicating that it is activated; Press the Throttle down once or squeeze the Brake Handle to cancel cruise control.

KICK TO START

For safety reasons, the scooter will not accelerate unless it is already moving at least 3km/h (1.8mph). You must first kick off the ground and then press the throttle in order to ride the scooter.

BEFORE RIDING

WARNING

Any Alpha Scooter that does not work properly can cause you to lose control and fall. Do not ride an Alpha with a part that is damaged; replace the damaged part before riding.

It is important that you fully understand all elements of your Alpha scooter. If these elements are not used correctly, you will not have full control of your Alpha. Before you ride, learn the functions of the various mechanisms on your scooter.

Practice using these elements of your Alpha at slower speeds in a flat, open area before taking the device out in public areas.

PRE-RIDE CHECKLIST

Ensure that your Alpha is in proper working order each and every time you ride. If a part of the Alpha scooter does not function correctly, please contact our Customer Support Center.

- Ensure the battery is fully charged before riding your scooter.
- If the Alpha scooter is not used for an extended period of time, you may need to recharge the battery every 2 months to maintain the battery life.
- Please wear all appropriate safety and protective gear as previously mentioned in the Operation Manual before operating your device.
- Make sure to wear comfortable clothes and flat closed-toe shoes when operating your device.
- Please carefully read the Operation Manual, which will assist in explaining the basic working principles and provide tips on how to best enjoy your experience.

RIDING YOUR ALPHA SCOOTER

FAILURE TO FOLLOW ANY OF THE FOLLOWING SAFETY PRECAUTIONS CAN AND MAY LEAD TO DAMAGE TO YOUR DEVICE, VOID YOUR MANUFACTURER WARRANTY, LEAD TO PROPERTY DAMAGE, CAUSE SERIOUS BODILY INJURY, AND CAN LEAD TO DEATH.

OPERATING YOUR DEVICE

Make sure the device is fully charged before the first initial use. Before turning on your Alpha scooter, ride it like a normal kick scooter to get comfortable with the device before using it with the motor.

When comfortable riding the scooter, power it on. For the motor to activate, you must first start riding the scooter and then push the throttle down with your thumb.

To slow down the scooter, disengage the Throttle and squeeze the Brake handle to engage the disk brake. The Brake is pressure sensitive so a tighter grip means more stopping power.

To turn, use the handlebar to turn in the direction you wish to turn.

The Alpha scooter can be operated manually if you do not wish to use the motor.

As you get comfortable on the device, you will notice it becomes easier to maneuver. Remember at higher speeds, it is necessary to shift your weight to overcome the centrifugal force.

Prepare to brace yourself if you encounter bumps or uneven surfaces, then dismount and carry your Alpha to a safe operating surface.



WARNING

Do not turn sharply or at high speeds to avoid danger. Do not turn or ride quickly along slopes, as it may cause injury.

WEIGHT AND SPEED LIMITATIONS

Speed and weight limits are set for your own safety. Please do not exceed the limits listed in the "Specifications" section of this manual.

WARNING

Overweight exertion on the device may increase possibility of injury or product damage.

OPERATING RANGE

The following are some of the major factors that will affect the operating range of your device.

- **Terrain:** Riding distance is highest when riding on a smooth, flat surface. Riding uphill and/or on rough terrain will reduce distance significantly.
- **Weight:** A lighter user will have further range than a heavier user.
- **Ambient temperature:** Please ride and store the device under recommended temperatures, which will increase driving distance; battery life, and overall performance of your device.
- **Speed and Riding Style:** Maintaining a moderate and consistent speed while riding produces maximum distance. Traveling at high speeds for extended periods, frequent starts and stops, idling and frequent acceleration or deceleration will decrease overall distance.

*Do not attempt to stop suddenly as this may lead to injury or damage to your brake discs.

WARNING

Proper use of your brake is vital to ensure safe, efficient stopping. To avoid misuse and potential injury, do not apply sudden or excessive force to your brake. Apply the brake gradually and give yourself enough room to come to a complete stop safely.

Please follow all local, state and federal laws in regards to recycling, handling and disposing of Lithium-ion Battery.

WARNING

SEEK IMMEDIATE MEDICAL ASSISTANCE IF YOU ARE EXPOSED TO ANY SUBSTANCE THAT IS EMITTED FROM THE BATTERY.

SAFETY ALERTS

While riding your Alpha Scooter, if there is a system error or illegal operation performed the device will prompt the user in a variety of ways.

The following are common occurrences where you will see Safety Alerts. These notices should not be ignored, but appropriate action should be taken to correct any illegal operation, failure or errors.

- Prohibited riding surfaces (uneven, too steep, unsafe, etc.)
- Battery voltage is too low.
- The device is still charging.
- Overheating, or motor temperature is too high.
- When the battery is about to run out of power, the battery icon will flash.
- If any or both tires are blocked, the device will stop after 10 seconds.
- When the battery level has depleted below protection mode, the device motor will power off after 15 seconds.

While sustaining a high discharge current during use (such as riding up a steep slope for a long period of time), the device motor will power off after 15 seconds.

WARRANTY

For warranty information, Please visit us at:
www.hover-1.eu

Error codes	Error E1 - motor hall failure, the motor needs to be replaced
	Error E2 - accelerator failure, the accelerator needs to be replaced
	Error code E3 - motor blocking fault, release the accelerator
	Error E4/MOS - mainboard MOS tube failure, the mainboard needs to be replaced
	Error E6 - controller / instrument communication failure, the controller needs to be replaced
	Error E7 - battery over-voltage protection, the battery needs to be replaced
	Error E8 - controller error, the controller needs to be replaced
	Error E9 - brake failure, the brake needs to be replaced

IMPORTED BY: DGL GROUP, LTD
LE5 1TL, UNITED KINGDOM

Affix Serial Number Label Here:

 WARNING	
	Read The Information Supplied By The Manufacturer

 WARNING	
	Wear Personal Protective Equipment

WEEE DIRECTIVE

Following information is only for EU-member states:
The mark shown to the right is in compliance with the Waste Electrical and Electronic Equipment Directive 2012/19/EU (WEEE). The mark indicates the requirement NOT to dispose the equipment as unsorted municipal waste, but use the return and collection systems according to local law.



EC DECLARATION OF CONFORMITY

<https://drive.google.com/open?id=1et2FUMq0Y808mpEsy857aTrzI3Ab2tu8>

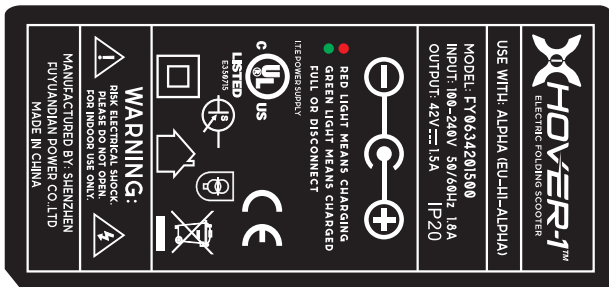
TROUBLESHOOTING

For UK Customer Service Please Contact
+44 (0) 1355 241222 / escooters@letmerepair.co.uk

For other countries, scan QR Code for more information



CHARGER LABEL



SCOOTER LABELS

HOVER-1 ALPHA

Model: EU-HI-ALPHA
 Input: 42 V 1.5 A
 Maximum Weight: 264 lbs / 120 kg
 Minimum Weight: 44 lbs / 20 kg
 Maximum Speed: Up to 15.5 mph (25 km/h)
 Weight: 37.7 lbs / 17.1 kg
 Motor: 450 W
 Battery Capacity: 6.0 Ah
 Battery Type: Rechargeable Lithium-ion battery
 Contains FCC ID: 2AAHZALPHA
 BT ID: D034634
 Factory ID: FKIS-R8
 Made in: Dongguan, Guangdong, China
 Ref: 20200928EL
 MFG Date: 09 20 PO: 16224
 Use only with FY0634201500 supply unit
 Manufacturer: DGL GROUP, LTD
 LES 1TL, UNITED KINGDOM



MADE IN CHINA

This device complies with part 15 of the FCC Rules. Operation is subject to the following two conditions: (1) This device may not cause harmful interference, and (2) this device must accept any interference received, including interference that may cause undesired operation.

WARNING - To reduce the risk of injury, user must read instruction manual. Store indoors when not in use.



RECYCLING

This product bears the selective sorting symbol for Waste electrical and electronic equipment (WEEE). This means that this product must be handled pursuant to European directive 2012/19/EU in order to be recycled or dismantled to minimize its impact on the environment.

User has the choice to give his product to a competent recycling organization or to the retailer when he buys a new electrical or electronic equipment.



Double insulation



For interior use only



SMPS incorporating a short-circuit-proof safety isolating transformer (inherently or non-inherently)



SMPS (Switch mode power supply unit)



The polarity of the output terminals



WARNING

FOR YOUR SAFETY, PLEASE READ THE ENTIRE OPERATION MANUAL BEFORE OPERATING THE HOVER-1 ALPHA.

- Always wear proper protective equipment, such as helmets. Helmets should fit properly with the chin strap in place, so that it provides protection for your entire head.
- Avoid obstacles and slippery surfaces that could result in loss of balance or traction and cause a fall.
- Do not start on rocky, slippery, sandy, gravelly, sloped, or wet surfaces.
- Riders should be at least 15 years old and 5 feet tall.
- Maximum weight load is 120 kg.
- Adult supervision required.
- Always wear shoes.
- Never use near or around motor vehicles.
- Do not ride at night.

FAILURE TO FOLLOW THE ABOVE INSTRUCTIONS AND OTHER MISUSE CAN RESULT IN DEATH OR SERIOUS INJURY OR DAMAGE TO THE PRODUCT. USE AT YOUR OWN RISK.

HOVER-1 MODEL: EU-HI-ALPHA

IMPORTED BY: DGL GROUP, LTD LES 1TL, UNITED KINGDOM



WARNING

WARNING - TO REDUCE RISK OF INJURY, USER MUST READ INSTRUCTION MANUAL
AVERTISSEMENT-POUR PRÉVENIR LES BLESSURES, UTILISATEUR DOIT LIRE LE MANUEL D'UTILISATION.

WARNING: Risk of Fire - No User Serviceable Parts



- You must comply with all applicable local, state, and federal laws when operating this device.
- Wear an approved helmet and appropriate safety gear.
- Do not ride vehicle after consuming drugs or alcohol.
- Do not ride without proper training and guidance.

- Do not ride at high speeds, on steep slopes, or in rocky or uneven terrain.
- Do not carry passengers.
- Do not perform stunts, tricks, or turn sharply.
- Do not leave unattended while charging.
- Do not charge for more than 5 hours. Allow to cool before charging.

- Use only the supplied charger with this scooter.
- Use only the supplied battery pack with this scooter. (36V, 6Ah)



HOVER-1 MODEL: EU-HI-ALPHA
 DC 42V, 1.5A,
 0-40° C (32-104° F)

MADE IN CHINA

IMPORTED BY:
 DGL GROUP, LTD LES 1TL, UNITED KINGDOM

⚠️ WARNING

- For your safety please read the user manual carefully, understand and accept all the safety instructions.
- Users take responsibility for the loss and damages which are caused by improper use.
- If the device will not be used for a long period of time, be sure to fully charge it at least once a month for battery maintenance.

Battery Manufacturer:
Shenzhen Longting
Technology Co., LTD
Battery Model:
LT1865-HL01
Input-Voltage: DC 42V
Input-Current: 2A MAX
Made in China



SCOOTER HANGTAG



HOVER-1 ALPHA DISPLAY OPERATION



Powering On the Scooter

Press and hold the Power Button for 3s.

Turning Off the Scooter

Press and hold the Power Button for 3s.

Switching Between High / Low Speed

Make sure the scooter is on, and press the power button once to switch between the two speed modes.

Riding the Scooter

Give a strong kick to begin riding your scooter, then use the throttle to speed up. A minimum speed of 3 km/h must be reached before you can use the throttle.



@RideHover1



@RideHover1



@RideHover1



www.hover-1.eu

HOVER-1 ALPHA DISPLAY OPERATION



Enabling Cruise Control

Maintain a minimum speed of 5 km/h (3 mph), choose your desired cruising speed and press the throttle twice. The scooter will enter Cruise Control and beep to confirm. The Cruise Control icon will now appear on the display.

Disabling Cruise Control

While using cruise control, press the brake to slow down, or press the throttle once. Doing so will cancel cruise control and the icon will disappear.

Headlights / Tail Light

Make sure your scooter is turned on. Press the power button twice to turn your headlights and tail light on or off.

Bluetooth® Speaker

When turn on/off your scooter, the Bluetooth speaker is on/off at the same time.



@RideHover1



@RideHover1



@RideHover1



www.hover-1.eu

- This scooter can be used by children aged from 15 years and above and persons with reduced physical, sensory or mental capabilities or lack of experience and knowledge if they have been given supervision or instruction concerning use of the appliance in a safe way and understand the hazards involved. Children shall not play with the appliance. Cleaning and user maintenance shall not be made by children without supervision.

Any load attached to the handlebar will affect the stability of the vehicle.

WARNING Keep plastic covering away from children to avoid suffocation.

Caution, the brake may become hot in use. Do not touch after use.
In any case, anticipate your trajectory and your speed while respecting the code of the road, the code of the sidewalk and the most vulnerable;
Cross the protected passages while walking.
Eliminate any sharp edges caused by use.
Accessories and any additional items which are not approved by the manufacturer shall not be used.
Get closer to your seller so he can refer you to an appropriate training organization;
Switch off the vehicle during charging, or into a certain non-operational mode;

Regularly check the tightening of the various bolted elements, in particular the wheel axles, the folding system, the steering system and the brake shaft.

It is necessary to check that the steering system is correctly adjusted, that all connection elements (such as a folding system) are correctly tightened and not broken, and that the brakes and wheels are in good condition;

The self-tightening nuts as well as the other self-tightening fastenings may lose their efficiency and that they may need to be retightened.



Batteries and accumulators should not be disposed of with household waste. Please recycle them at the collect points provided for this purpose. Contact the local authorities or your dealer for recycling advice. Proper disposal of old batteries and accumulators helps preserve the environment and health.

This battery charger can be used by children aged from 8 years and above and persons with reduced physical, sensory or mental capabilities or lack of experience and knowledge if they have been given supervision or instruction concerning use of the appliance in a safe way and understand the hazards involved. Children shall not play with the appliance. Cleaning and user maintenance shall not be made by children without supervision.

Warning: This battery charger can't recharging non-rechargeable batteries.

During charging, the battery must be placed in a well-ventilated area.

- Riders should be at least 15 years old and 5 feet tall .

1. Keep safe braking distances during wet weather.

2. The parking device kickstand shall be engage when vehicle is not on use.

3. As with any mechanical component, a vehicle is subject to high stresses and wear. The various materials and components may react differently to wear or fatigue. If the expected service life for a component has been exceeded, it may break suddenly, therefore risking causing injuries to the user. Cracks, scratches and discoloration in the areas subject to high stresses indicate that the component has exceeded its service life and should be replaced.

Keep plastic covering away from children to avoid suffocation.

4. Considering security, it's necessary to use a lock-up when not in use to avoid non-authorized use and to avoid others to misuse it and get hurt.

5. Headlights / Tail Lights / Deck Lights: Press the power button twice, Headlights, Tail lights and deck lights will be on or off at the same time. When you brake the vehicle the tail lights will flash red.

6. Vibrations not exceed 2,5 m/s².

7. LpA and LWA do not exceed 70 dB(A)

Operating Frequency: 2402MHz-2480 MHz
EIRP Power (Max.): -1.25dBm