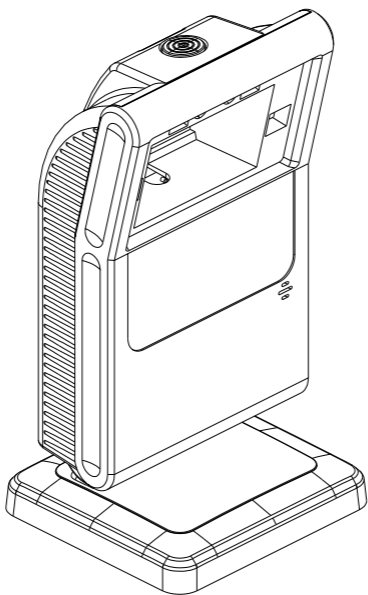


2D Barcode Scanner

User Manual



CONTENTS

Set up steps.....	2
Setting 1: Factory default	2
Setting 2: Interface.....	3
Setting 3: Keyboard language.....	4
Setting 4: Buzzer set.....	5
Setting 5: Transmission speed.....	5
Setting 6: End character.....	5
Setting 7: Barcode settings.....	7
Setting 8: Barcode conversion.....	17
Setting 9: Prefix & Suffix	18
Data codes.....	21
FAQ.....	24

Factory default



Set up steps are as follows:

1. Scan the 'start setting'



2. Scan the required setting codes



3. Scan the 'End setting'

For example, set up CR End character

1. Start setting



2. CR



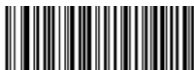
3. End setting





#SETUPE1

Start setting



@INTERF3

*USB-HID



@INTERF8

USB-COM



@INTERF0

RS232

Interface specification:

1.USB-HID mode: Factory default mode, plug and play and doesn't need driver.

2.RS232: Need to match special serial port cable, and receiving software to use at serial port(Serial port default setting: Baud rate = 9600, data bit = 8bit, stop bit = 1bit, check bit = none)

3.USB-COM: Special driver should be installed

End setting



#SETUPE0



#SETUPE1

Start setting

Scan mode



@SCNMOD2

Auto-flashing



@SCNMOD3

Continuous

Transmission speed



@KBWDLY0

No delay



@KBWDLY40

40ms delay



@KBWDLY20

20ms delay

End setting



#SETUPE0



#SETUPE1

Start setting

Keyboard language



@KBWCTY0

USA(Default)



@KBWCTY7

France



@KBWCTY8

Germany



@KBWCTY12

Italy



@KBWCTY22

Spanish

End setting



#SETUPE0



#SETUPE1

Start setting

Buzzer Set



@GRBENA1

Buzzer on(Default)



@GRBENA0

Buzzer off



@GRBFRQ4200

High



@GRBFRQ2730

Medium



@GRBFRQ800

Low

End setting



#SETUPE0



#SETUPE1

Start setting

End character



@TSUENA1

Enable End character(Default)



@TSUENA0

No End character



@TSUSET0D0A

CR&LF(Default)



@TSUSET0D

CR

End setting



#SETUPE0



#SETUPE1

Start setting

Barcode settings



@ALL1DC1

Enable all 1D codes



@ALL1DC0

Disable all 1D codes



@ALL2DC1

Enable all 2D codes



@ALL2DC0

Disable all 2D codes

End setting



#SETUPE0



#SETUPE1

Start setting

EAN 8 code



@EA8ENA1

Enable



@EA8ENA0

Disable



@EA8CHK2

Check digit on



@EA8CHK1

Check digit off

End setting



#SETUPE0



#SETUPE1

Start setting

EAN 13 code



@E13ENA1

Enable



@E13ENA0

Disable



@E13CHK2

Check digit on



@E13CHK1

Check digit off

End setting



#SETUPE0



#SETUPE1

Start setting

UPC-E code



@UPEENA1

Enable



@UPEENA0

Disable



@UPECHK2

Check digit on



@UPECHK1

Check digit off



@UPEPRE1

System digit on

End setting



#SETUPE0



#SETUPE1

Starting setting



@UPEPRE0

System digit off

UPC-A code



@UPAENA1

Enable



@UPAENA0

Disable



@UPACHK2

Check digit on

End setting



#SETUPE0



#SETUPE1

Start setting



@UPACHK1

Check digit off



@UPAPRE1

System digit on



@UPAPRE0

System digit off

Code 128



@128ENA1

Enable

End setting



#SETUPE0



#SETUPE1

Start setting



@128ENA0

Disable

Code 39



@C39ENA1

Enable



@C39ENA0

Disable

Code 32 Pharmaceutical



@C39E321

Enable

End setting



#SETUPE0



#SETUPE1

Start setting



@C39E320

Disable



@C39T321

Start and stop digit on



@C39T320

Start and stop digit on

PDF417



@PDFENA1

Enable

End setting



#SETUPE0



#SETUPE1

Start setting



@PDFENA0

Disable

QR code



@QRCENA1

Enable



@QRCENA0

Disable



@QRCINV2

Enable reading inverse QR

End setting



#SETUPE0



#SETUPE1

Start setting



@QRCINV0

Disable reading inverse QR

Datamatrix code



@DMCENA1

Enable



@DMCENA0

Disable



@DMCINV2

Enable reading inverse DM

End starting



#SETUPE0



#SETUPE1

Start setting



@DMCINV0

Disable reading inverse DM

Barcode conversion



@EA8EXP1

Enable EAN8 convert to EAN13



@EA8EXP0

Disable EAN8 convert to EAN13



@UPEEXP1

Enable UPCE convert to UPCA

End starting



#SETUPE0



#SETUPE1

Start setting



@UPEEXP0

Disable UPCE convert to UPCA

Prefix & Suffix



@CPRENA1

Allow customize prefix



@CPRENA0

Not allow customize prefix



@CSUENA1

Allow customize suffix



@CSUENA0

Not allow customize suffix

End setting



#SETUPE0



Start setting

Modify a customize prefix

First read "Modify Prefix", then sequentially read the **hexadecimal value(You can search the hex value table online)** of each byte in the prefix string to be set, and finally read "Save Settings" to complete the setting of the custom prefix.



Modify prefix

For example, set up a \$ prefix(The hexadecimal value is 24):

1. Read the 'Start setting'
2. Read the 'Allow customize prefix' at page 19
3. Read the 'Modify prefix'
4. Read the data code '2' and '4' at page 22
5. Read the 'save' at page 24
6. Read the 'End setting'

End setting





Start setting

Modify a customize suffix

First read "Modify Suffix", then sequentially read the **hexadecimal value**(You can search the hex value table online) of each byte in the Suffix string to be set, and finally read "Save Settings" to complete the setting of the custom Suffix.



Modify suffix

For example, set up a \$ suffix(The hexadecimal value is 24):

1. Read the 'Start setting'
2. Read the 'Allow customize suffix' at page 19
3. Read the 'Modify suffix'
4. Read the data code '2' and '4' at page 22
5. Read the 'save' at page 24
6. Read the 'End setting'

End setting



Data code



@DIGIT0

0



@DIGIT1

1



@DIGIT2

2



@DIGIT3

3



@DIGIT4

4



@DIGIT5

5



@DIGIT6

6



@DIGIT7

7



@DIGIT8

8



@DIGIT9

9



@DIGITA

A



@DIGITB

B



@DIGITC

C



@DIGITD

D



@DIGITE

E



@DIGITF

F



@DIGSAV

Save

FAQ

1.Q: How can I add a prefix or suffix?

A: You can refer page 20 to add prefix and suffix, we have listed commonly used in character table, if the character you need is not included, please feel free to contact us, we will provide the codes.

2.Q: Can I read the white-on-black(inverse) codes?

A: You can read the setting code for enable reading inverse 2D codes (QR or Datamatrix)at page 16 or 17

3.Q: How to cancel the default Enter end character?

A: You can scan the 'No End character' at page 7

4.Q: Can this scanner convert UPCE code into UPCA?

A: Yes, you can get the setting code about UPC-E convert to UPC-A at page 18

For more setting, welcome to contact us for tech support.

1. If you need Thermal Printer and Handheld POS device for retail shop, delivery, restaurant, etc, please search from our store. We are glad to offer discount for regular customer.
2. If you wanna purchase in bulk quantity, please contact us for better offer.
3. Your support is well appreciated if you like our products.
4. OEM and ODM is available.
5. Our contact information as below:

WhatsApp: +8617817881067 Skype: munbyn

Website: www.munbyn.com

