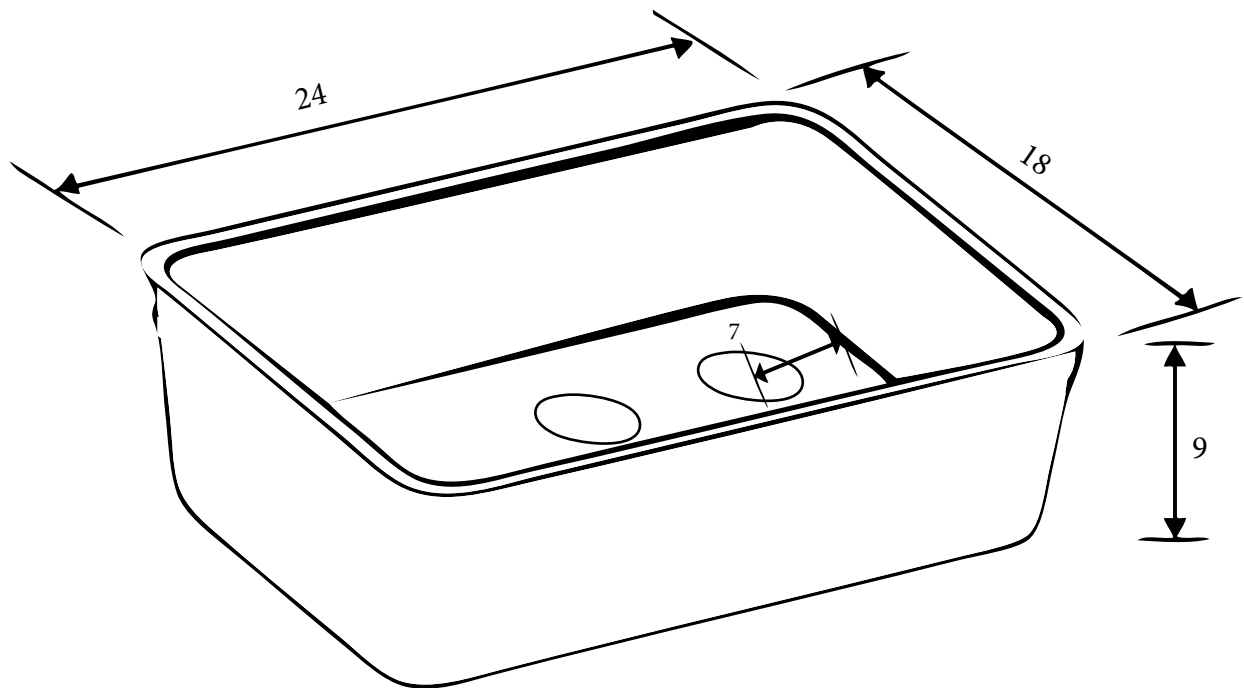


Dimensions (inches)



***The center waste position is for the shorter butler length only.**

* DUE TO THE MANUFACTURING PROCESS SINKS MAY HAVE SLIGHT VARIANCES IN SIZE. THESE DIMENSIONS SHOULD BE USED AS A GUIDE ONLY. WE STRONGLY RECOMMEND THE SINK BE ON SITE WHEN CABINETS OR BENCH TOPS ARE BEING PREPARED FOR THE SINK.