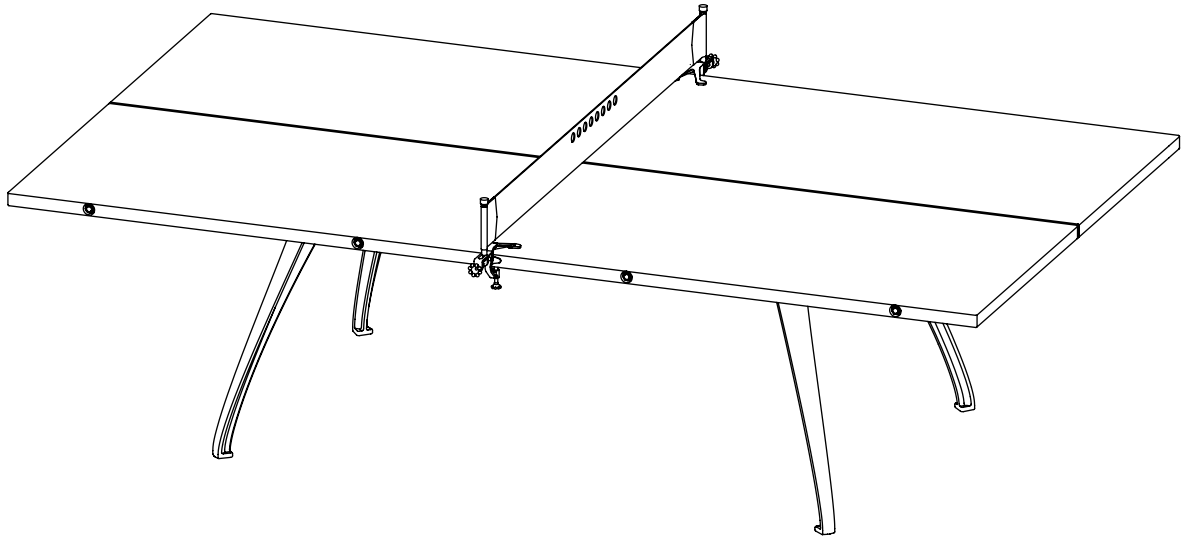


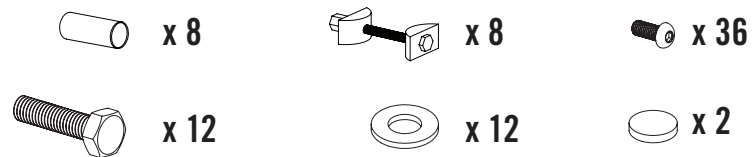
PING PONG TABLE

V154

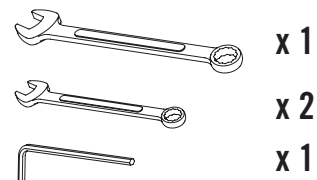


DISTRICT | **EIGHT**
DESIGN

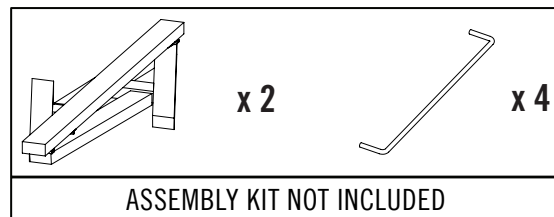
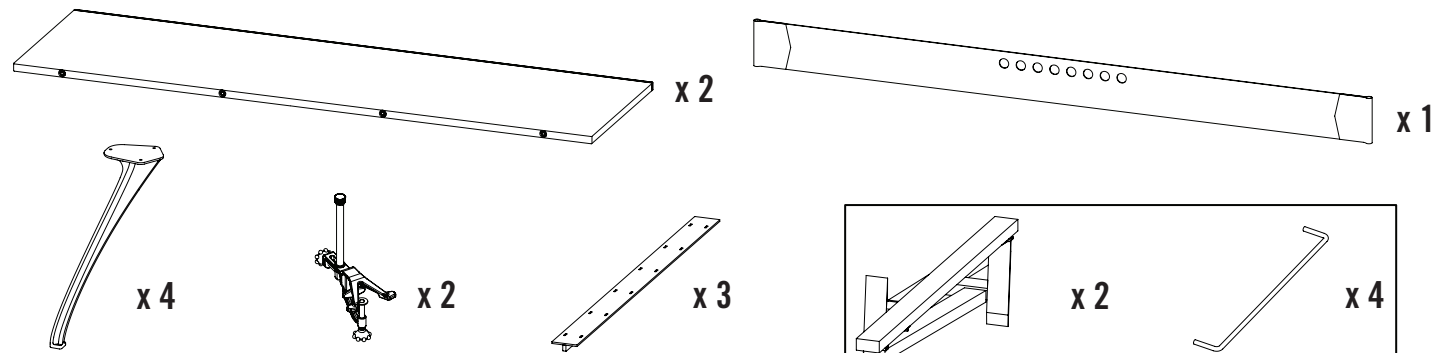
SUPPLIED HARDWARES



TOOLS NEEDED

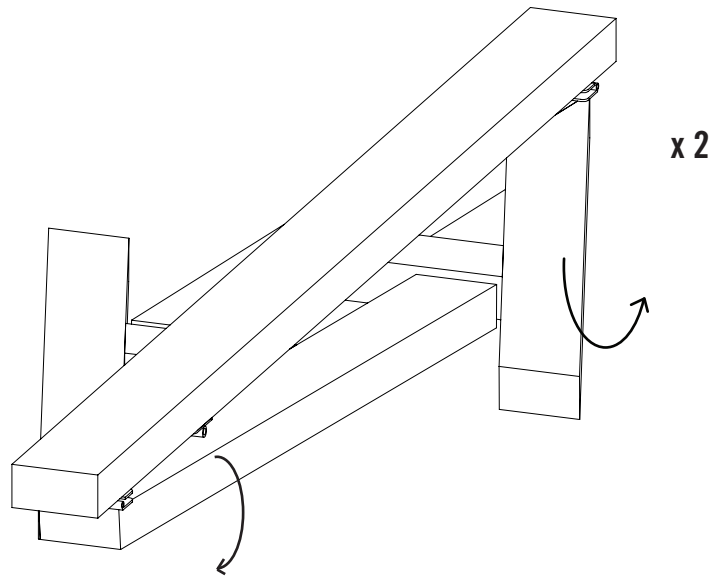


PRODUCT COMPONENTS



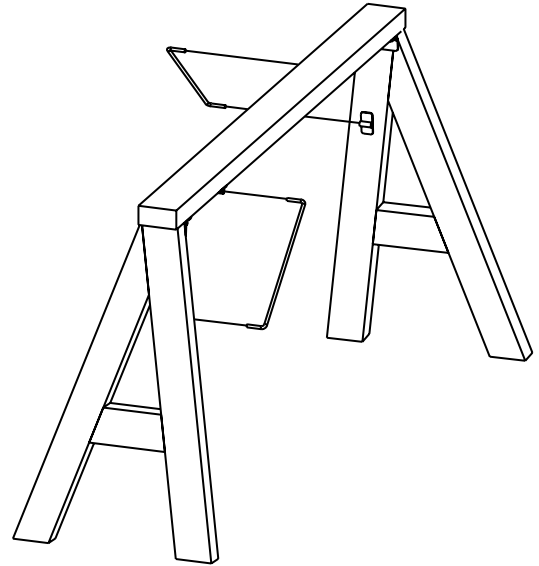
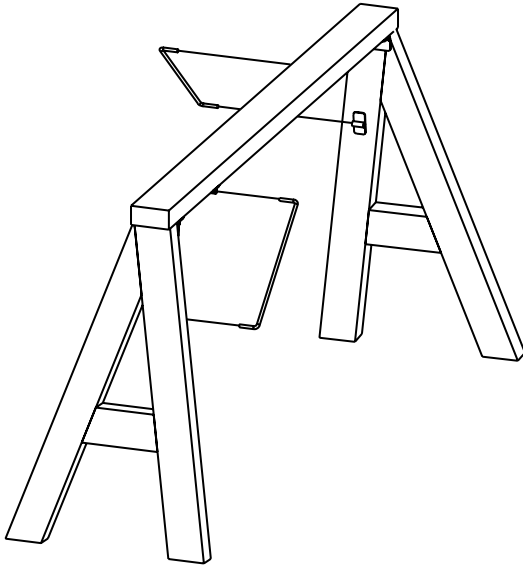
ASSEMBLY STEPS

1




ASSEMBLY STEPS

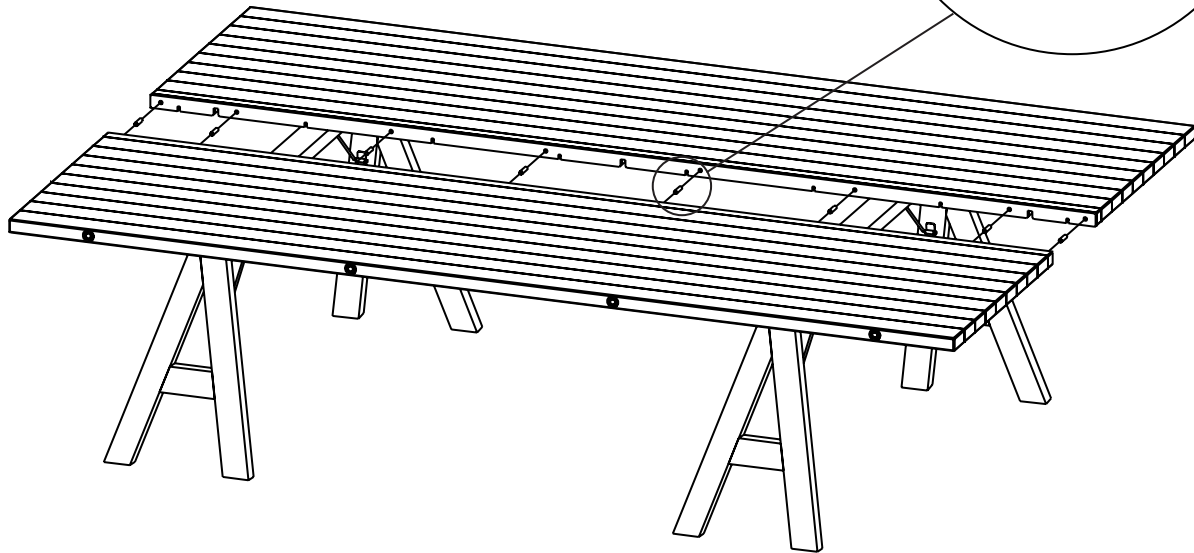
2



ASSEMBLY STEPS

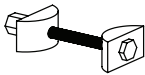
3

 x 8

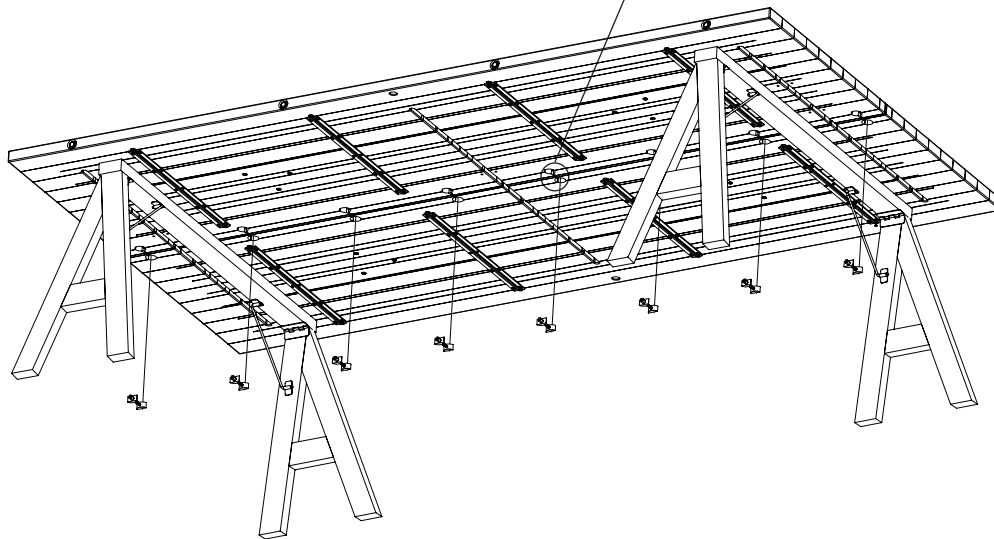
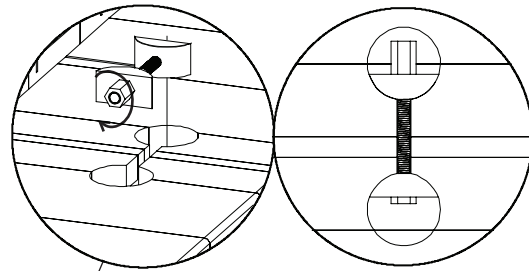


ASSEMBLY STEPS

4



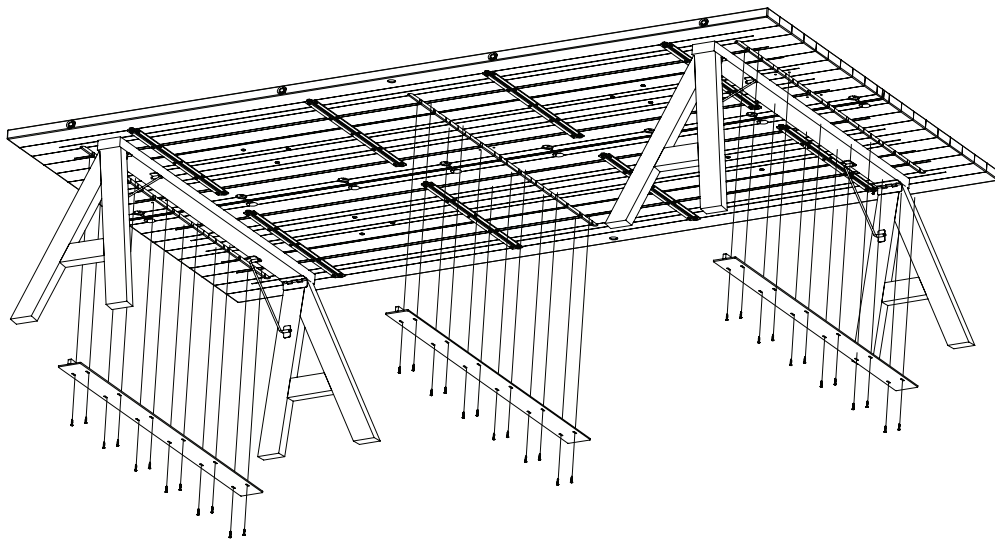
x 8



ASSEMBLY STEPS

5

 x 36



ASSEMBLY STEPS

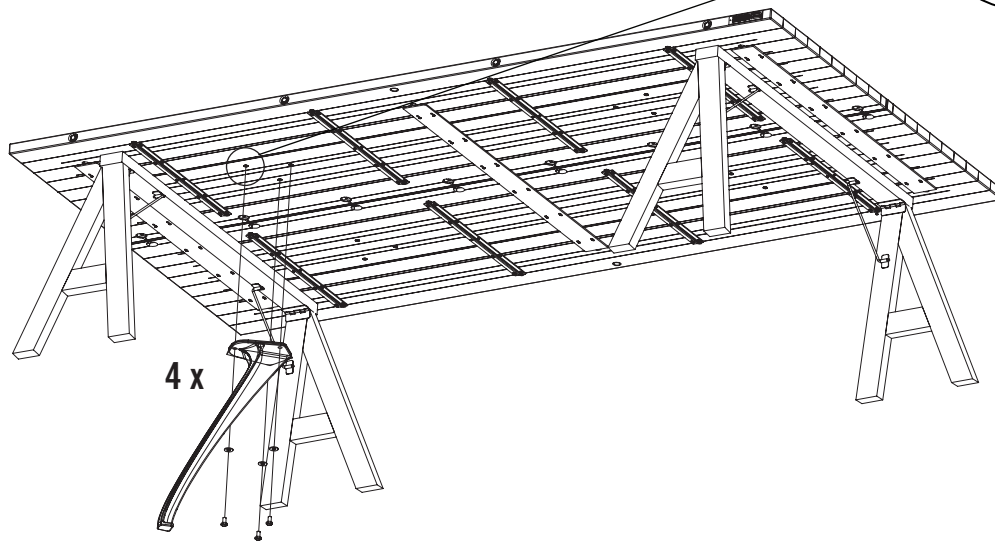
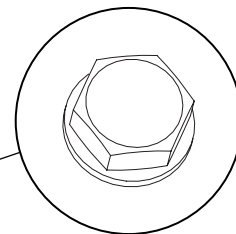
6



x 12

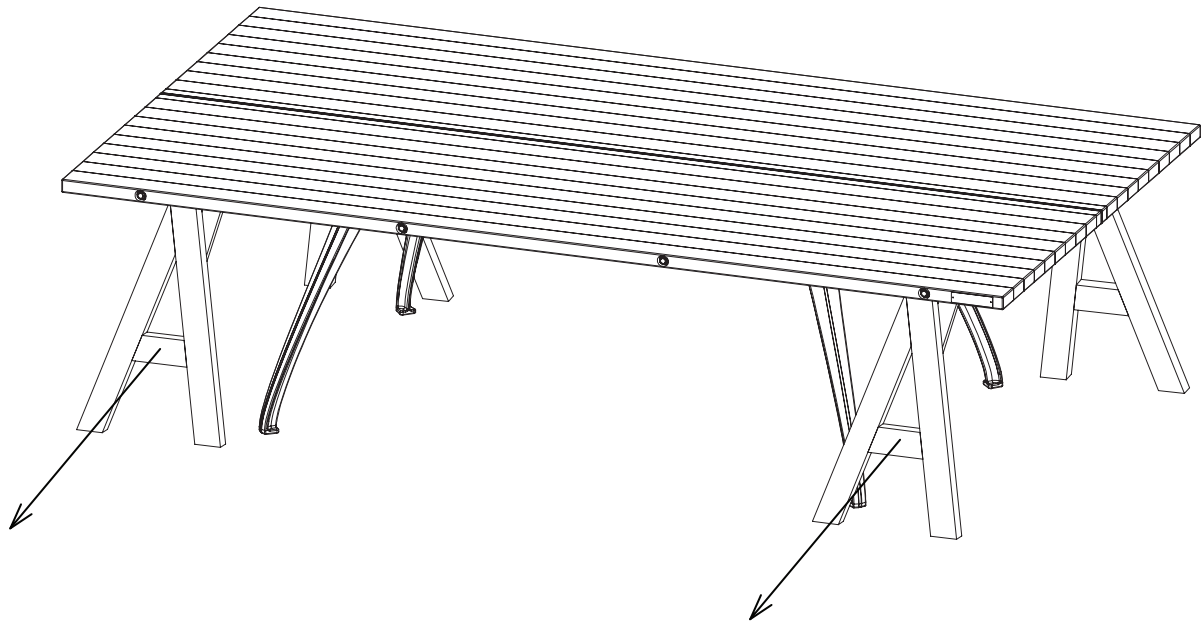


x 12



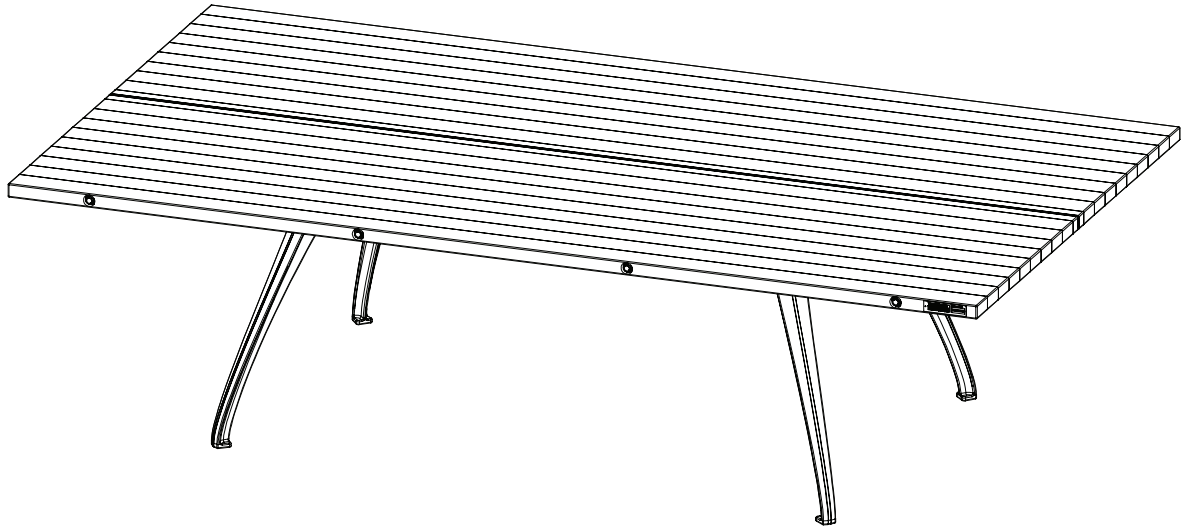
ASSEMBLY STEPS

7



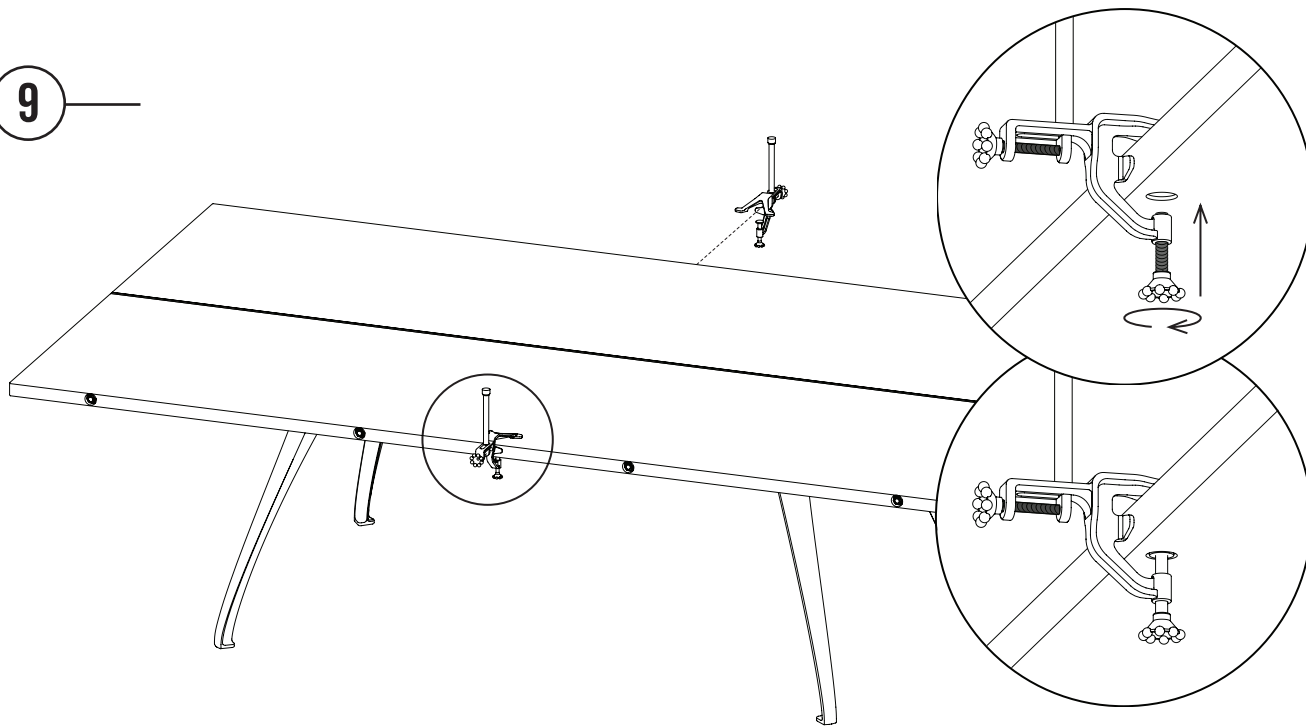
ASSEMBLY STEPS

8



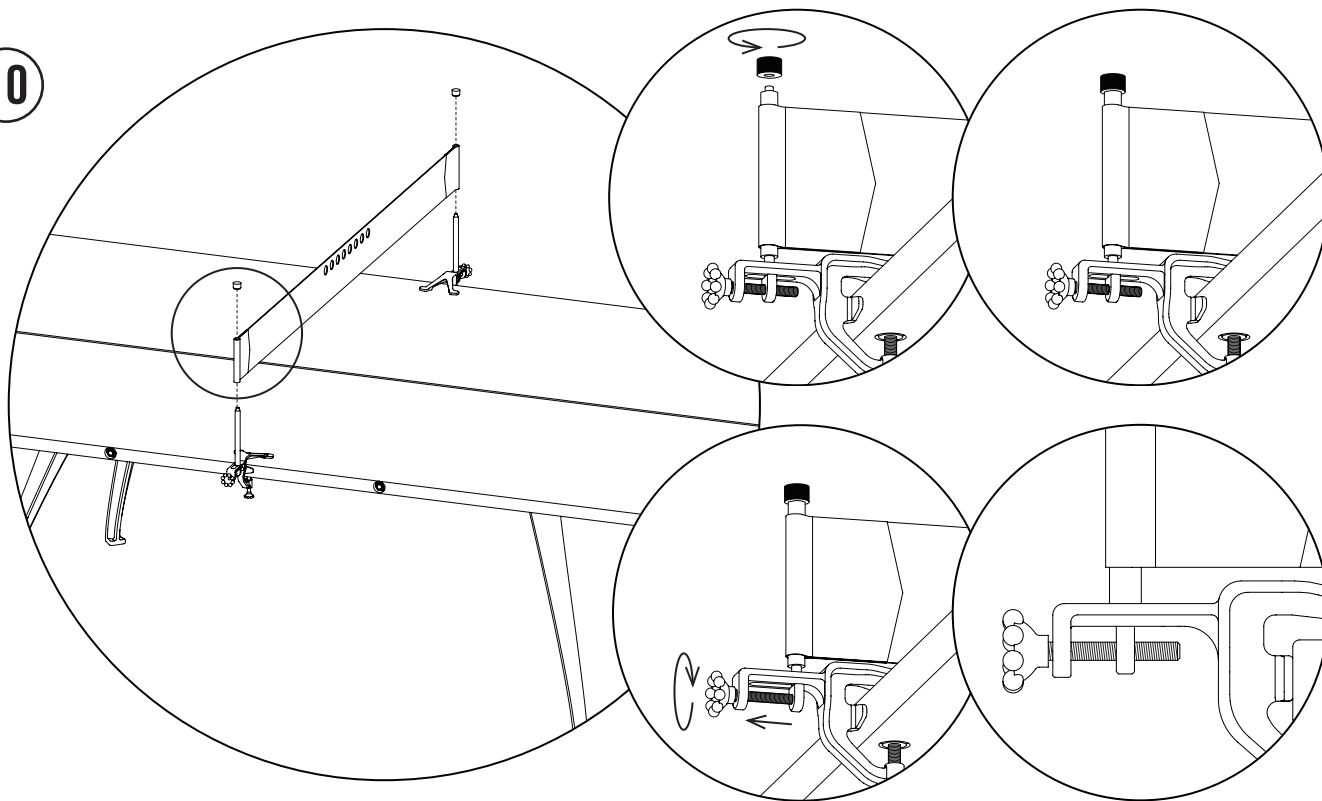
ASSEMBLY STEPS

9

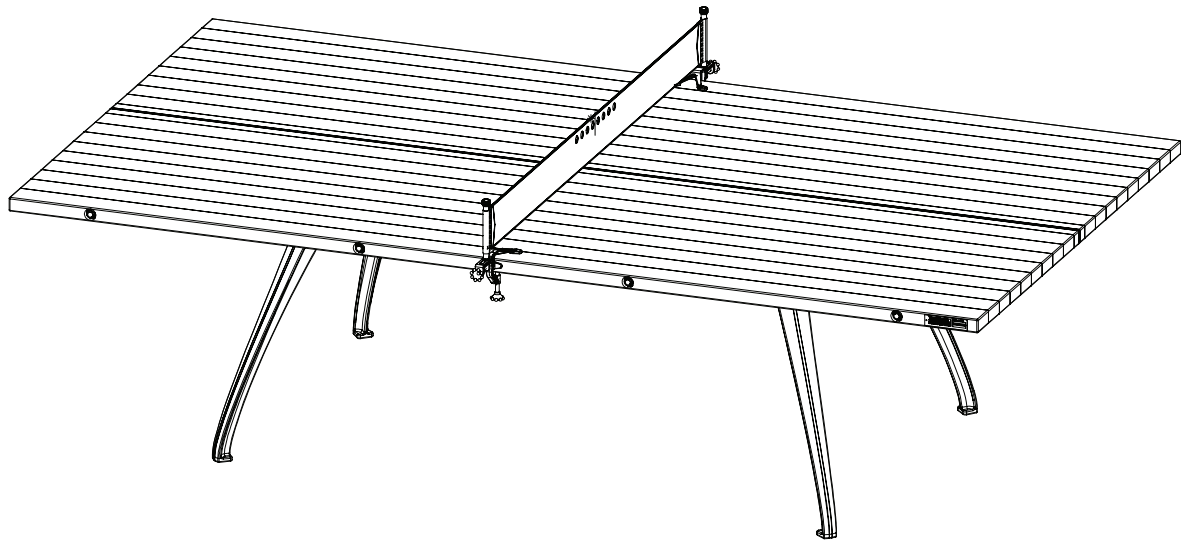


ASSEMBLY STEPS

10



ASSEMBLY STEPS



CARE INSTRUCTIONS

This table is made from solid wood, leather, cast iron and metal. Over time it will develop a natural red-orange patina on top of the metal parts, which is desired. It is recommended to re-wax all parts at least once a year to prevent the acceleration of the patina process.

The reclaimed hardwood top can be cleaned with pledge or any other wax-based furniture polish. To re-wax this furniture, apply a thin even layer of furniture paste wax on to the surface using a soft lint free cloth or rag.

The leather net can be cleaned using suede and nubuck cleaner. To remove dirt, wipe the seat with a soft, damp cloth. Avoid storing near heat or in direct sunlight.