

# PPC

## PLP-P505R

With Pentium® M  
Solution 15" Panel PC

### Features and Benefits:

- Supports Intel® Pentium® M / Celeron® M CPU up to 1.8 GHz
- Intel® 855GME Chipset
- Low power consumption and economical solution
- Compact size with high performance
- High speed Gigabit LAN
- On-board IDE interface, Type II CompactFlash slot
- High precision touchscreen
- Optional PCI Expansion slot (1 or 3 slots)

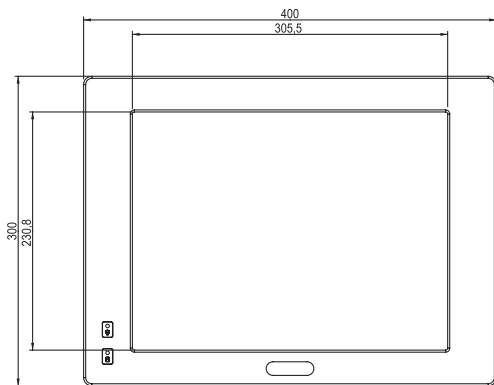


ISO CERTIFIED  
9001 | 14001

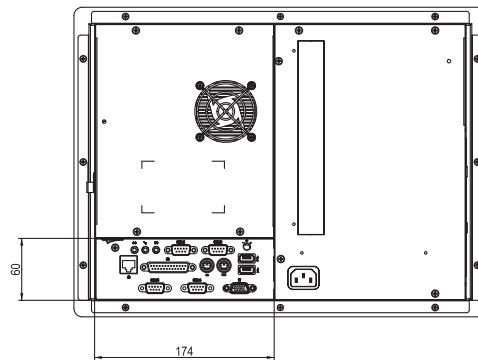
# PLP-P505R

With Pentium® M 15" Panel PC

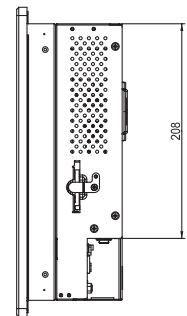
Front View



Rear View



Side View



Unit: mm

## Specification

Systems	
<b>CPU Support</b>	Intel® Pentium® M / Celeron® M up to 1.8GHz
<b>Memory Support</b>	1 x 200pin DDR SO-DIMM, support DDR 333 SDRAM up to 1GB
<b>Front Bazel</b>	Aluminum
<b>IP65/NEMA4</b>	Yes
<b>Power Supply</b>	AC 110W power supply
<b>O.S. Support</b>	Win 98SE/2000/XP/CE.net, Linux Redhat 8.0/9.0
<b>Dimension (WxHxD)</b>	400 x 300 x 99 mm (15.6" x 11.7" x 3.89")
<b>System Weight</b>	9 Kg (20.9lb)
<b>VESA Mounting Support</b>	75mm / 100mm VESA bracket (optional)
<b>Certificate</b>	CE / FCC

## I/O Ports

<b>USB</b>	2 x USB2.0
<b>KB / Mouse</b>	2
<b>Audio</b>	Line in / Line out / MIC in
<b>Parallel</b>	1 x parallel port (SPP / EPP / ECP)
<b>Serial Port</b>	4 x COMs, COM1 supports +5V or +12V, COM2 for RS232/422/485, COM 2/3/4 supports +5V only

<b>LAN</b>	10/100/1000 Mbps
<b>VGA</b>	1
<b>Brightness Control</b>	VR on rear panel
<b>Drive Bay</b>	1 x 2.5" HDD, 1 x IDE CF slot on board, 1 x Slim CD-ROM (optional)
<b>Expansion Slots</b>	1 x PCI or 3 x PCI slot (optional)

## Display

<b>LCD</b>	15" XGA TFT LCD (1024 x 768)
<b>Touch Screen</b>	7W Analog resistive (USB interface)

## Environment

<b>Operating Temp.</b>	0° ~ 40°C
<b>Storage Temp.</b>	-20° ~ 60°C
<b>Humidity</b>	20% ~ 90%

## Ordering

<b>PLP-P505R</b>	Panel PC with 15" LCD, S478 Pentium M CPU board, resistive touchscreen, 110W AC power supply
<b>PLP-P507R-1P</b>	1 x PCI riser card for PPC-7505/7507
<b>PLP-P507R-3P</b>	3 x PCI riser card for PPC-7505/7507

All information contained in this document is subject to change without any prior notice.



## Computer Inc.

Your IPC Solutions Partner