

PLP-P26145

› Intel® Atom™ E3845 / E3826 / J1900 processor
fanless and low power 15" panel PC



Features



- Intel® Atom™ E3845 / E3826 / J1900 processor on board
- Fanless and quiet design
- 2 x GbE LANs, with PoE as option
- CFAST slot
- 1 x external SD card and 1 x SIM slot
- Optional 3G module
- Optional wireless LAN module
- Supports wide range voltage DC in (9~36V)
- Supports wide range temperature (E3845 / E3826 only)
- Aluminum front bezel

Specifications



System

CPU Type	Intel® Atom™ E3845/E3826/J1900 processor
Chipset	Intel® SoC
Memory Support	1 x DDR3L SO-DIMM socket, memory up to 8GB
Front Bezel	Aluminum
IP65	Yes (for front panel only)
Power Input	DC in 9~36V
Watchdog	1~255 seconds watchdog timer selectable
Operating System	Windows 7 / Windows 8.1 / WES7 / WES 8.1 Industry Pro / Windows 10 IoT LTSP 2016 Ubuntu 14.04
Dimensions	408 x 308 x 70 mm (W x H x D)
System Weight	5.4 Kg
Mounting Support	Wall mount / VESA 75 / VESA 100
Certifications	FCC / CE

Display

LCD	15" XGA (resolution 1024 x 768) LCD panel
Touch Screen	5-wire resistive type (USB interface)

Applications

- Automation
- Retail / Chain Store
- Information

I/O Ports

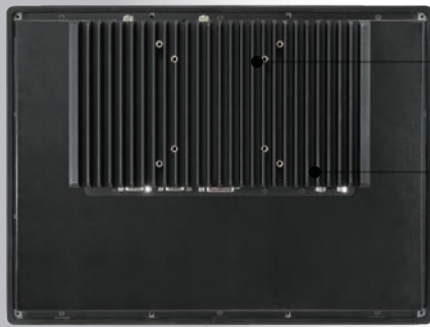
Power Input	1 x 2 pin DC in terminal block, supporting 9-36V DC
Power On/Off	1 x power on/off button
USB	2 x USB 2.0 + 1 x USB 3.0
Audio	1 x Line-out, 1 x MIC
Serial Ports	4 x COM ports (COM 1/2 with RI/5V/12V by jumper setting) COM 1/2 for RS-232/422/485 (setting by BIOS) COM 3/4 for RS-232
LAN with PoE	2 x GbE LANs with PoE as option, Wake-On-LAN, PXE LAN 1: Intel® I210IT LAN 2: Intel® I210IT 2 x PoE (IEEE 802.3af), max.15.4W for each port
Display	1 x DVI-I (DVI-D+VGA)
Drive Bay	1 x 2.5" SATAII HDD
Expansion Slots	1 x CFAST slot 1 x full size mini PCIe slot (mini PCIe, USB and SIM signal) 1 x half size mini PCIe slot (mini PCIe and USB signal)
SD Card Slot	1 x external SD card slot with cover
SIM Card Slot	1 x external SIM card slot with cover (for optional 3G module)

Environment

Operating Temp.	HDD: 0°C~40°C (32°F~104°F)
Ambient with air flow	Wide range temp. storage and peripherals: -20°C~55°C (-4°F~131°F) w/o audio and PoE, E3845/E3826 only Wide range temp. storage and peripherals: -20°C~50°C (-4°F~122°F) with PoE, w/o audio, E3845/E3826 only
Storage Temp.	-20°C~80°C (-4°F~176°F)
Humidity	20%~90%

* All information contained in this document is subject to change without prior notice. Please log on www.antcomputer.com to acquire latest information. For detail mechanics drawing, please contact our sales.

Highlights



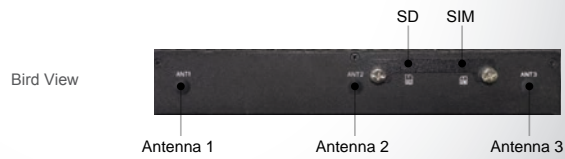
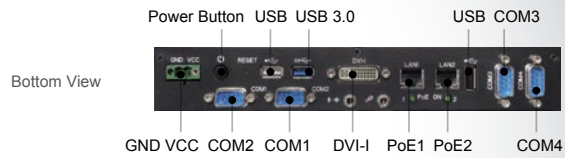
CFAST Card Slot



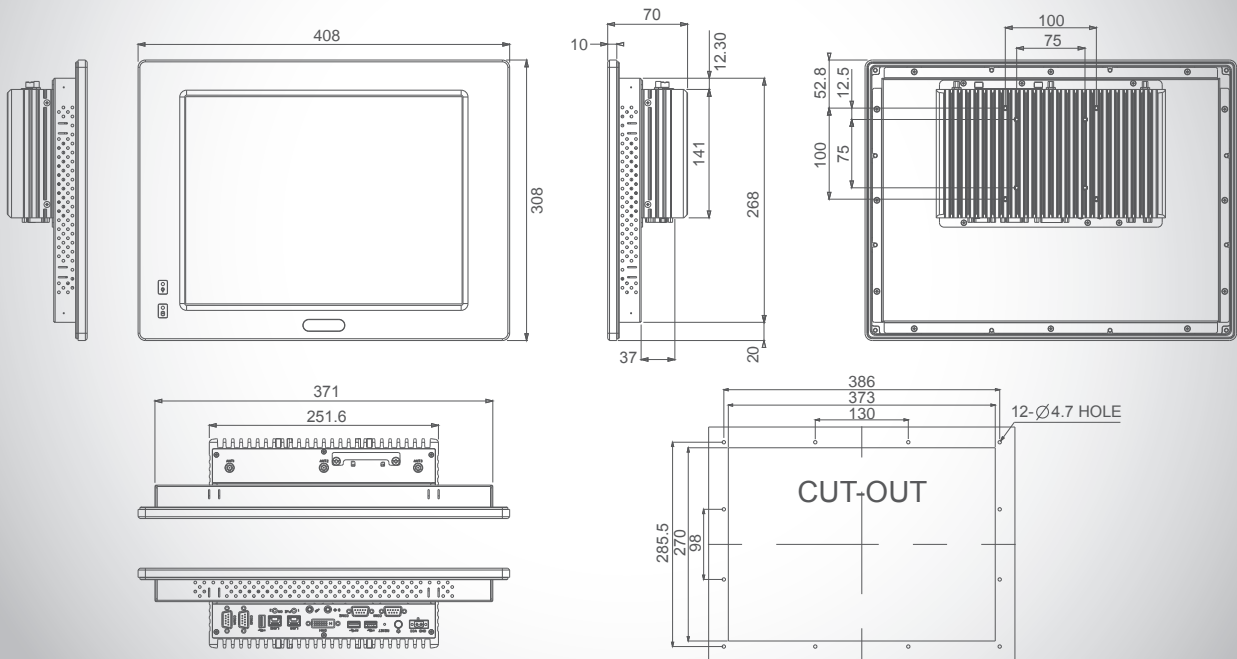
Wi-Fi Module



I/O Panel View



Dimensions



unit: mm