

# PLP-P26140 **NEW**



Fanless and Low Power 10.4" Intel® E3845/E3826/J1900 processor Panel PC



## Features

- Intel® E3845/J1900 processor on board
- Totally fanless and quiet design
- Support CFAST slot or mSATA
- Support 1 x external SD card
- Optional Wireless LAN module
- Support wide voltage DC in (9~36V)
- Support wide temperature (E3845 only)
- Aluminum front bezel

## Specifications

### System

CPU Type	Intel® E3845/J1900 processor
Chipset	Intel® SoC
Memory Support	1 x DDR3L SO-DIMM socket, memory up to 8GB (depending on CPU)
Front Bezel	Aluminum
IP65	Yes (for front panel only)
Power Supply	DC in 9~36V
Watchdog	1~255secs Watchdog timer selectable
Operating System	Win7/ Win8.1/ WES7/ WES8
Dimension (W x H x D)	XGA Type : 277.6mm x 228.8 mm x 82mm
Mounting Support	Wall mount/ VESA 75/ VESA 100
Certificate	FCC / CE

### I/O Ports

Display	1 x DVI-I
USB	2 x USB 2.0 + 1 x USB 3.0
Audio	1 x Line-out, 1 x Mic-in
Serial Port	4x COM port, (COM 1/2 with RI/5V/12V by jumper setting) COM 1/2 for RS232/422/485 (setting by BIOS) COM 3/4 for RS232
LAN	2 x LAN (10/100/1000 Mbps) with PoE (optional) 2 PoE support IEEE 802.3af, Max. 15.4W each port
SD Card Slot	1 x external SD card slot with cover
SIM Card Slot	1 x external SIM card slot with cover (for optional 3G module)
Power Input	1 x 2 pin DC in terminal block, supporting 9-36V DC
Power ON/OFF	1 x Power ON/OFF button
Drive Bay	1 x 2.5" SATA HDD
Expansion Slots	1 x CFAST slot, 1 x full size mini PCIe slot (PCIe+USB2.0 & supporting mSATA), 1x half size mini PCIe slot (PCIe+USB2.0, external SIM card)

### Display

LCD	10.4" XGA(resolution 1024x768) LCD Panel
Touch Screen	5-wire resistive type (USB interface)

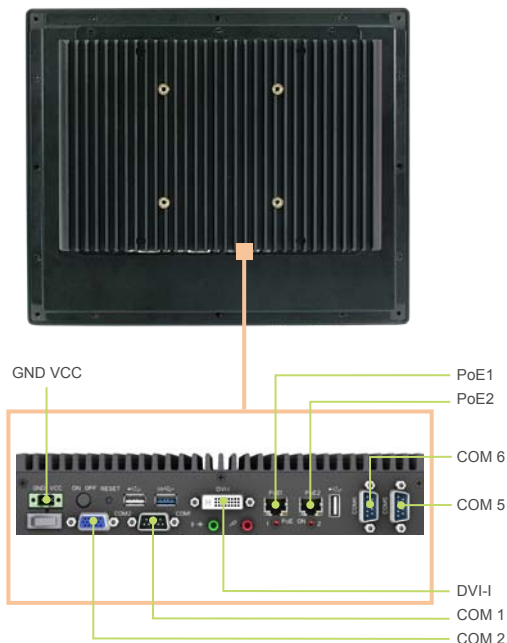
### Environment

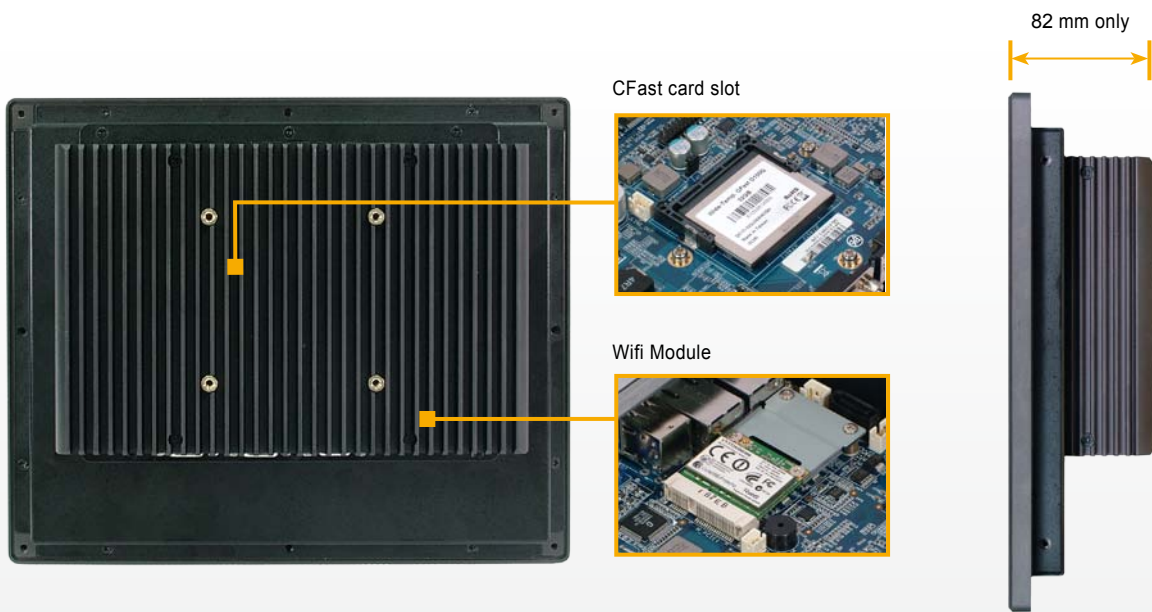
Operation Temp.	0° ~ 50° C (32° ~ 122° F) (w/HDD)(with Airflow) -20° ~ 60° C (-4° ~ 140° F) (with Airflow, w/ Wide temperature CFAST card or mSATA, w/o Audio, E3845 only)
Storage Temp.	- 20° ~ 80°C (- 4° ~ 176°F)
Humidity	20% ~ 90%

\*All information contained in this document is subject to change without prior notice. Please log on [www.antcomputer.com](http://www.antcomputer.com) to acquire latest information.



## I/O Panel View





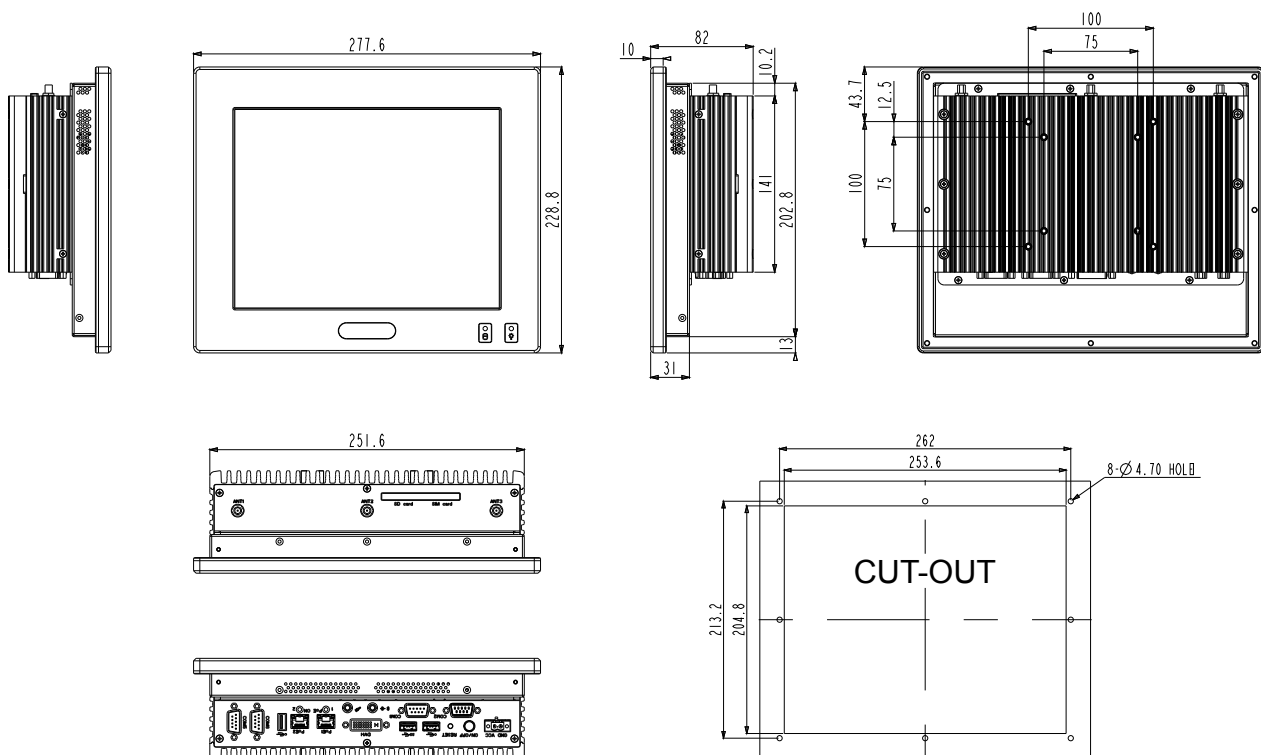
### Ordering Information

Order No	Description
PLP-P26140	10.4" fanless Intel® E3845 Panel PC, w/ 10.4" 1024 x 768 LCD / 5-Wire resistive touch
PLP-P26140E	10.4" fanless Intel® J1900 Panel PC, w/ 10.4" 1024 x 768 LCD / 5-Wire resistive touch
IPC-A-I3160	Wi-Fi Kit
PLP-P26140-PWR	72W, 24Vdc output power adapter

### Applications

- Industrial Automation
- Human Machine Interface

### Dimensions



Unit: mm



**Computer Inc.**  
Your IPC Solutions Partner