

Features

- 7" Industrial Compact Size Panel PC
- Intel Celeron N2930(1.83GHz) CPU built-in
- Onboard 4GB DDR3L 1333MHz
- Flat Front Panel Touch Screen and Fanless Design
- DC 9~36V Wide-Ranging Power Input
- IP66 Compliant Front Panel

Specifications

System	
CPU	Onboard Intel Celeron N2930(1.83GHz)
System Chipset	SoC
Memory	Onboard 4GB 1333MHz

I/O Port	
USB	2 x USB 3.0 type A
Serial / Parallel	1 x DB-9 RS-232/422/485, COM1 (Default RS-232) 1 x RS-232 DB-9, COM2
Audio	1 x Audio Line Out
LAN	2 x GbE LAN RJ-45
Power	1 x 3-pin DC power input terminal 1 x 2-pin connector for power on/off button
Option	Wi-Fi/BT

Storage Space	
HDD	1 x MO-297 SATA SSD bay (Easy Accessible)

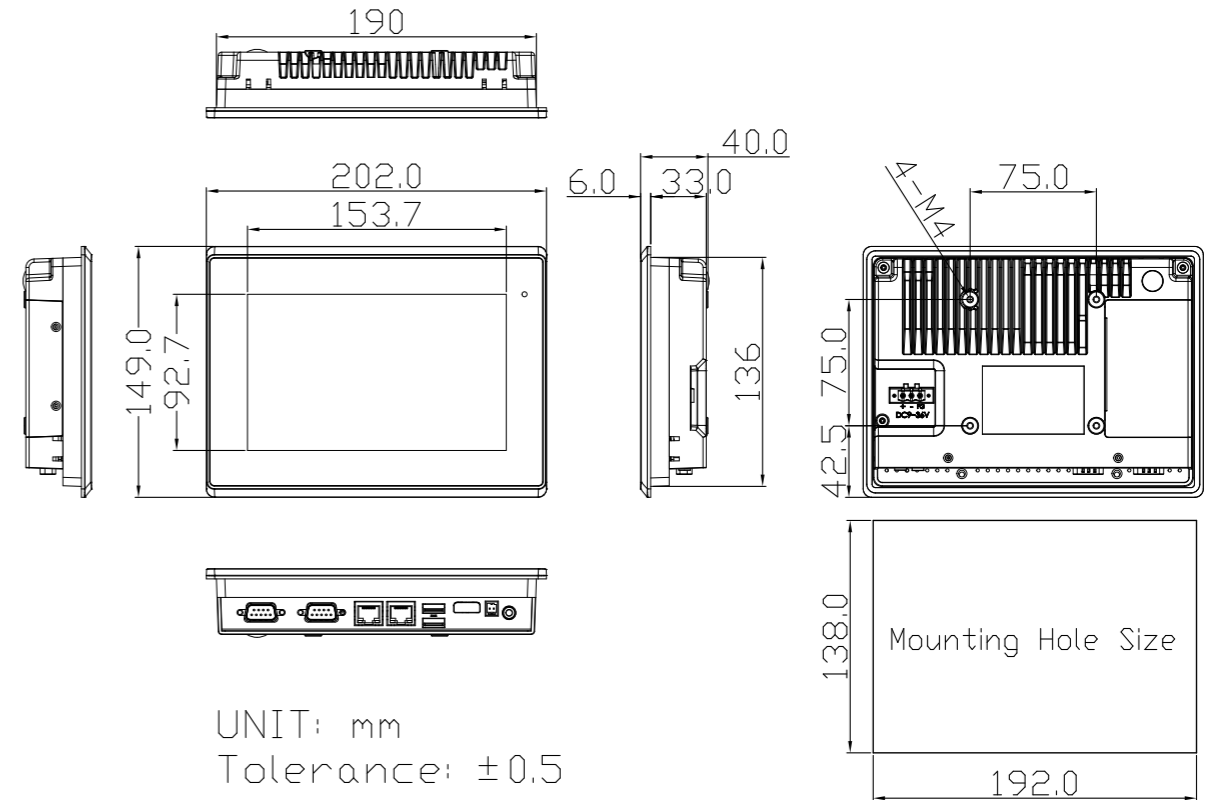
Expansion	
Expansion Slot	1 x Internal Mini-PCIe slot full size 1 x SIM card holder / Micro SD card reader

Display	
Display Type	7" TFT-LCD
Max. Resolution	800 x 480
Max. Color	262K
Luminance (cd/m ²)	350
View Angle	120(H) / 140(V)
Contrast	400:1
Backlight Lifetime	50,000 hrs

Touch Screen	
Type	Resistive Touch
Interface	USB
Light Transmission(%)	Over 80%

Power	
Power Input	DC 9~36V
Power Consumption	14W (MAX)

Dimensions



Mechanical	
Color	RAL 9007
Construction	Aluminum die-casting chassis
Mounting	Panel Mount, VESA 75 x 75
Dimensions (WxHxD)	202 x 149 x 40 mm
IP Rating	IP66 Compliant Front Bezel
Net Weight	1.2 kg

Environmental	
Operating Temperature	0~50°C / -20~60°C (option)
Storage Temperature	-30~70°C
Humidity	10 to 95%@ 40°C, non-condensing
Certificate	CE/FCC Class A

Operating System Support	
Windows 10 IoT Enterprise	

Ordering Information	
PLP-A5807	7" WVGA Fanless HMI barebone with Intel N2930 1.83G CPU, 4GB DDR3L RAM, Resistive touch screen, DC 9~36V input with adapter, Aluminum chassis