

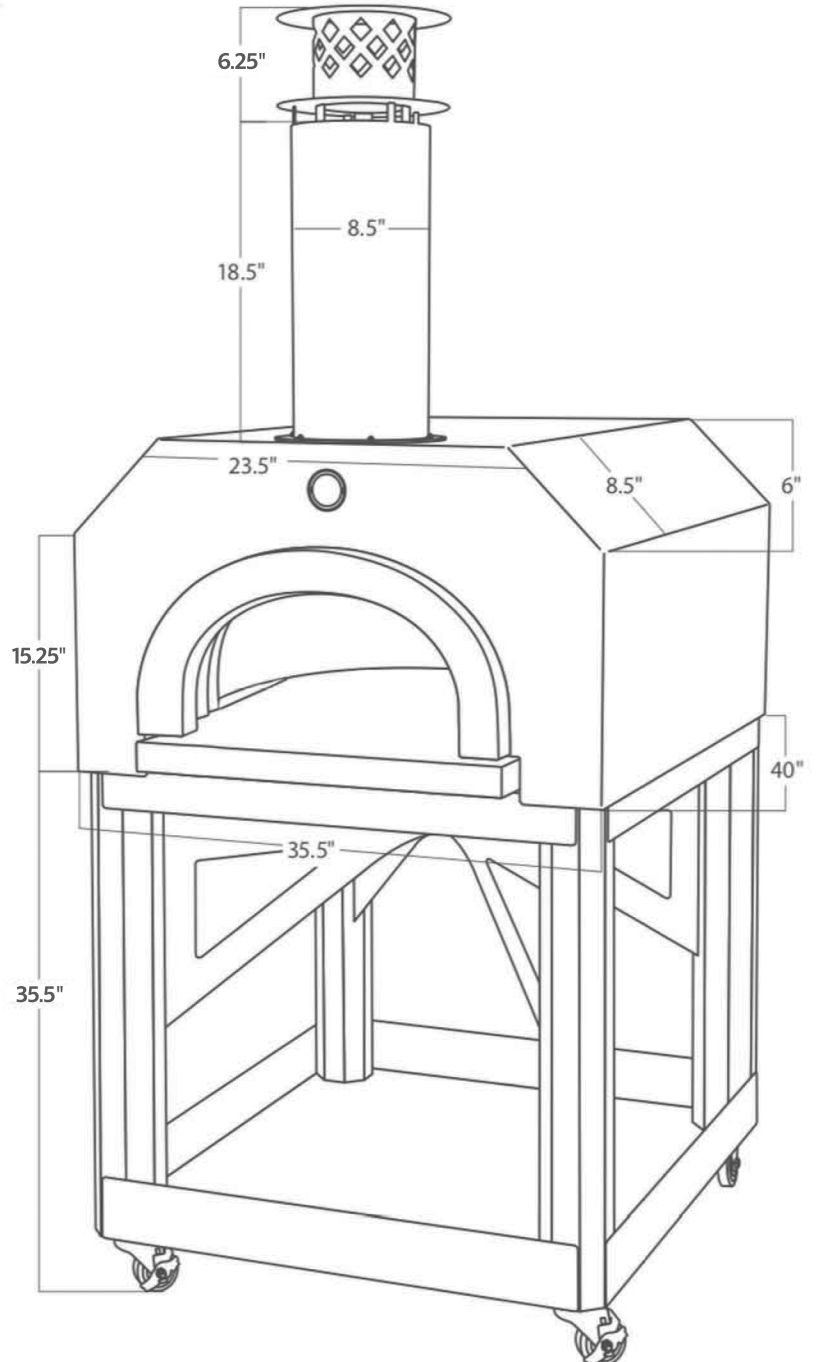
CBO-750 Mobile Specifications

Oven Is Certified by:  ETL Intertek

Base SKU CBO-0-MBL-750

Details

- Preassembled
- Custom-Built Cart with Heavy-Duty Casters for High Portability
- Metal Insulating Hood
- Accessory Package (Pizza Peel, Brush, Infrared Thermometer)
- Hearth Cooking Surface 38" x 28"



Oven with Cart Weight: 750 lbs.


CHICAGO BRICK OVEN