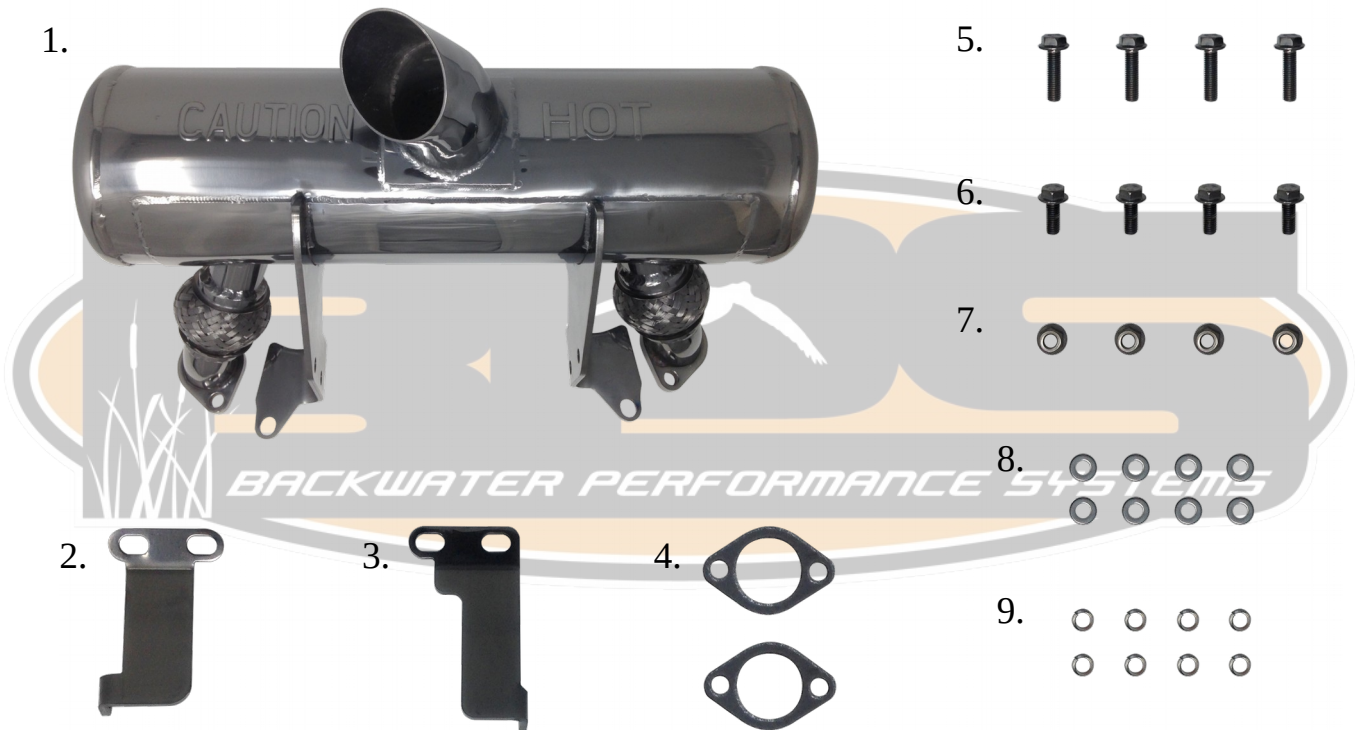


Horizontal Q Muffler – Installation Instructions



- | | |
|-------------------------------------|------------------------------------|
| 1. Q Muffler | 6. Reinforcement Bracket Bolts X 4 |
| 2. Right Side Reinforcement Bracket | 7. Nut X 4 |
| 3. Left Side Reinforcement Bracket | 8. Washers X 8 |
| 4. Muffler Gasket X 2 | 9. Lock Washer X 8 |
| 5. Muffler Bolt X 4 | |

Remove your old muffler. First, locate the fasteners that hold your current muffler to the engine. If the muffler studs, nuts or bolts are rusted, spray them with penetrating fluid. Remove your old muffler by unscrewing the exhaust and bracket fasteners using a socket or wrench of the appropriate size. Then remove the old gaskets being careful not to let any debris enter the exhaust holes. You may have to clean the old gasket using a razor blade or scraper knife. Save the two bolts that attach the stock muffler brackets to the engine block.



Install the muffler and muffler gaskets onto the cylinder heads using the four muffler bolts, four lock nuts, and four washers provided. Make sure to route the right side muffler bracket behind the dipstick tube. Use the two bolts you saved when you removed your old muffler to attach the Q Muffler to the engine block. Do not tighten the muffler fasteners all the way yet; you will do so at a later step.



Dipstick Tube

Attach the right and left side reinforcement brackets to the muffler using the bracket bolts, nuts, and lock nuts. Remove the crankcase cover bolts that correspond with the bottom hole of the reinforcement brackets and attach the bottom of the reinforcement brackets to the crankcase cover as shown using the same bolts you removed.



Crankcase Cover Bolt

Tighten all the muffler and bracket bolts and nuts evenly. Do not over tighten the fasteners.



Q Muffler Installed

For more tech tips and other products visit backwaterperformance.com.

Call **385-695-3807** if you require further assistance.

