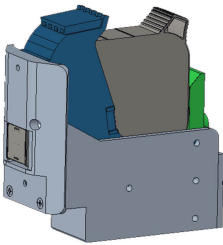
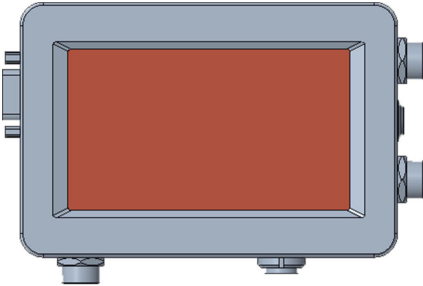
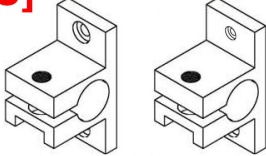

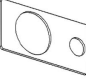







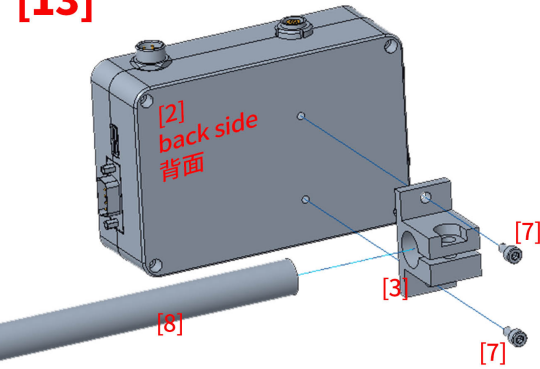
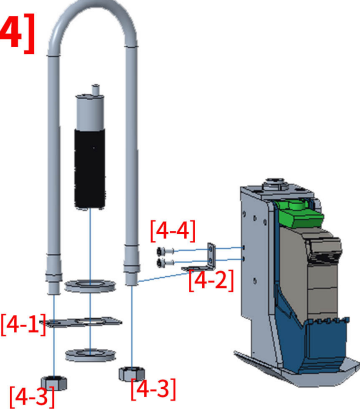
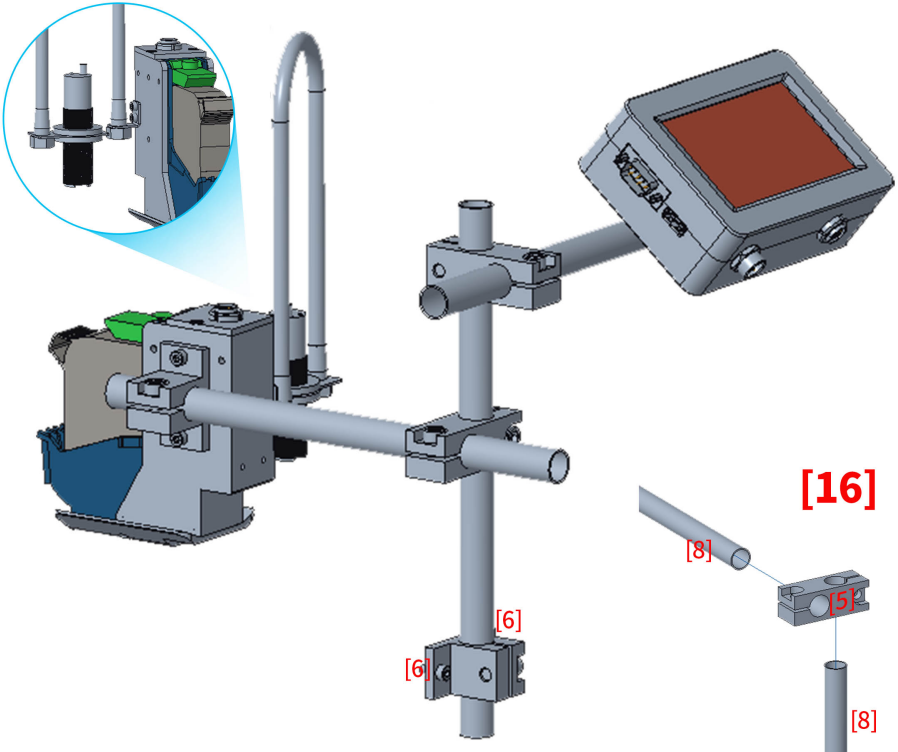
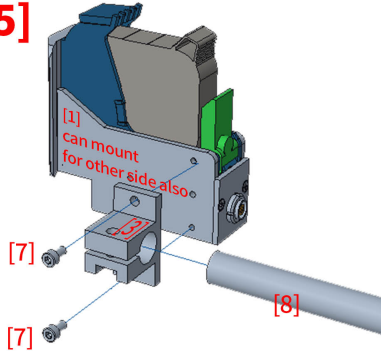
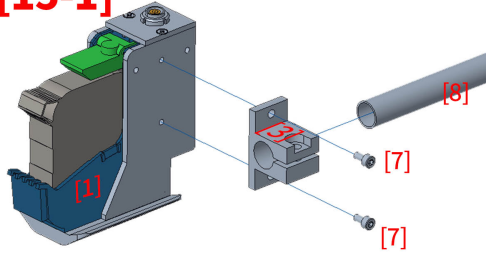


MX1 热发泡在线喷码机安装说明

Thermal InkJet Printer Installation Instructions

<p>[1]</p> 	<p>[2]</p> 	<p>[3]</p>  <p>Conn 02 - 3pc/个</p> <p>1 pcs big hole parts for connecting conveyour, 2 pcs small hole for connecting controller and printhead.</p>	<p>[4]</p>  <p>Sensor Holder / 光电固定件 1 pc/套</p> <p>[4-4] M3 L5 Cross Screw 沉头螺丝 2pc/个</p>	 <p>Sensor Stand 传感器支架 1pc/个 [4-1]</p>	 <p>Piece To Connect Sensor And Printhead 金属软管支架 1pc/个 [4-2]</p>	 <p>Square Nut 金属软管螺母 2pc/个 [4-3]</p>
<p>[6]</p>  <p>M6 L16 Screw 2pc/个</p>	<p>[7]</p>  <p>M4 L10 4pc/个</p>	<p>[8]</p>  <p>Pipe - L:154 mm - 3pc/个</p>	<p>[9]</p>  <p>M6 Allen Key / M6/内六角扳手</p>	<p>[10]</p>  <p>Phillips screwdriver 梅花起子 (not included/ 非标配)</p>		
<p>[13]</p>  <p>[2] back side 背面</p>	<p>[14]</p> 					
<p>[15]</p>  <p>[1] can mount for other side also</p>	<p>[15-1]</p>  <p>part-[01] can be mounted as to print side or upside-down with the different installation of part-[04]</p> <p>NOT SHOWN: part-[01] can be mount from right (as shown) as well as from left side also</p>	<p>[16]</p> 