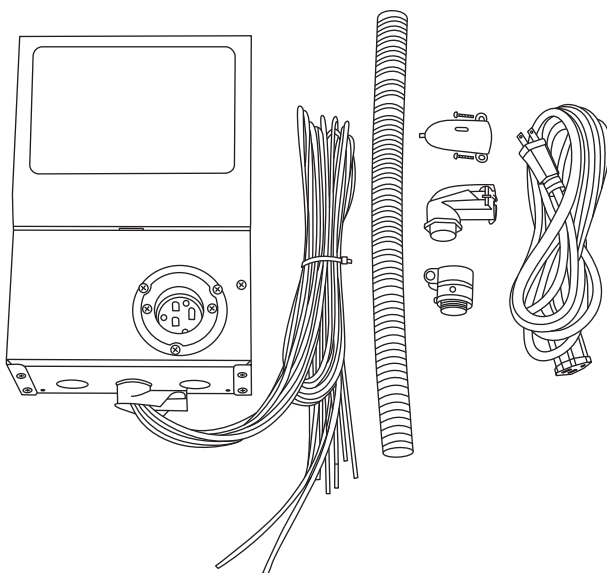


Power Transfer Kit

User Manual



Power Transfer Kit

Contents

Welcome	1
Warning	1
Unpack Your Power Transfer Kit	2
Connect Your Power Transfer Switch to Nature's Generator	3
Use Your Power Transfer Switch	4
FAQ	5
Limited Warranty	6

Welcome

Congratulations on the purchase of your new Power Transfer Kit, a state-of-art power transfer kit that links your Nature's Generator to your existing power circuits in your breaker panel. Please read these instructions thoroughly prior to use, then store this manual in a safe place for future reference. If at any time you are unclear about this product, or require additional assistance, please do not hesitate to contact our Customer Support line at 805-383-0003 or email us at support@naturesgenerator.com.

Power Transfer Kit is made by Reliance Controls. If you have any questions regarding the installation process, you may also contact the Customer Service Team at Reliance Controls. They are available for assistance at 1-800-634-6155.

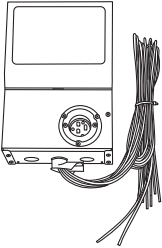
Warning

THE POWER TRANSFER KIT MUST BE INSTALLED BY A QUALIFIED ELECTRICIAN IN COMPLIANCE WITH ALL APPLICABLE ELECTRICAL CODES!

The installation procedure can be found on the other manual in the envelop in the box.

Unpack your Power Transfer kit

1. Power Transfer Switch



2. Conduit



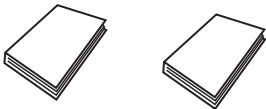
3. Cable Clamps



4. Power Cord:



5. The Installation Manual from Reliance Controls and this User Manual



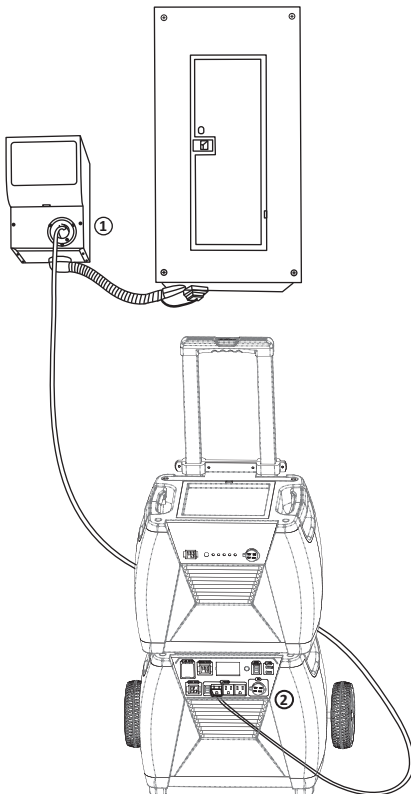
Visit NaturesGenerator.com for More Information

Connect Your Power Transfer Switch to Nature's Generator

Once the Power Transfer Switch has been successfully installed by a qualified electrician, you can now connect your Power Transfer Switch to your Nature's Generator by using the included power cord.

You can connect up to four circuits from your breakers into your Power Transfer Switch. You may select the most common used circuits like refrigerators, lights in hallway or bathroom, bedroom outlets and etc. The run time are affected by the combined loading on the connected circuits and the amount of the Nature's Power Pods that are connected to Nature's Generator.

1. Fit the female connector of the included power cord into the power inlet of your Power Transfer Switch.
2. Insert the male plug into any of the AC outlets on the Nature's Generator.



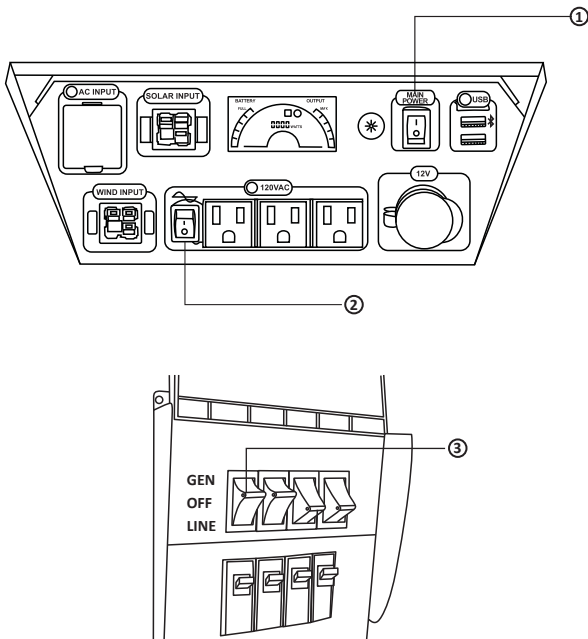
Visit NaturesGenerator.com for More Information

Use Your Power Transfer Switch

Once you've connected the Power Transfer Switch to the Nature's Generator you are now ready to continue powering your most needed items at home during loss of power.

When you experience power loss simply follow these steps to continue powering your items:

1. Turn the Nature's Generator Main Power Switch to ON (The LCD screen will turn on).
2. Turn the Nature's Generator AC Switch to ON (The light above the AC outlets will turn green).
3. Select the toggle switches of the circuits that you want your Nature's Generator to power and move their position from LINE to GEN.
4. You are now ready to go!



When your power is restored:

1. Move the position of the toggle switches from GEN to LINE.
2. Turn the Nature's Generator AC Switch to OFF (The green light above the AC outlets will turn off)
3. Turn the Nature's Generator Main Power Switch to OFF (The LCD screen will turn off)

Visit NaturesGenerator.com for More Information

FAQ

Where shall I install the Power Transfer Kit?

The size of Power Transfer Switch is 13 1/4 x 8 x 4 3/4 inches. The conduit is approximately 18 inch long with the clamps. It is recommended to install it in a close area to your breaker panel.

Can I use Power Transfer Kit and Nature's Generator to back up 220V?

Unfortunately, it only works on 110V. It is not compatible with 220V.

What happens when the utility power is restored?

When your utility power is restored, other lights and appliances on the circuits that are not connected to Power Transfer Switch will turn on. To transfer the circuits on the generator to utility power, flip the toggle switches back to the LINE position and shut down your Nature's Generator.

Will the surge damage my Nature's Generator when the utility power is restored?

No. The circuits that are connected to Power Transfer Switch are isolated from the utility power. There is no danger of back feeding the utility power.

What will I be able to power?

Runtimes with the Power Transfer Kit are dependent on the combined loading of connected circuits and the amount of the Nature's Power Pods that are connected to Nature's Generator. For instance, a 70W LED light will run about 10 hours with only the Nature's Generator. That same 70W LED light will run about 27 hours with the Nature's Generator and one Nature's Power Pod. And that same 70W LED light will run about 44 hours with the Nature's Generator and two Nature's Power Pods

Can I use it off the grid like in cabin or RV?

Yes. If it is always powered by your Nature's Generator, please keep the toggle switch on your Power Transfer Switch to GEN position.

Can Power Transfer Kit recharge my Nature's Generator?

No. Power Transfer Kit cannot recharge your Nature's Generator. Your Nature's Generator has to be recharged through standard AC outlet or Nature's Power Panel or Nature's Wind Turbine.

Can Power Transfer Kit work with other Generators?

Yes. It works with other battery powered generators or gasoline powered generators.

Limited Warranty

Please refer to the other manual about warranty information.

