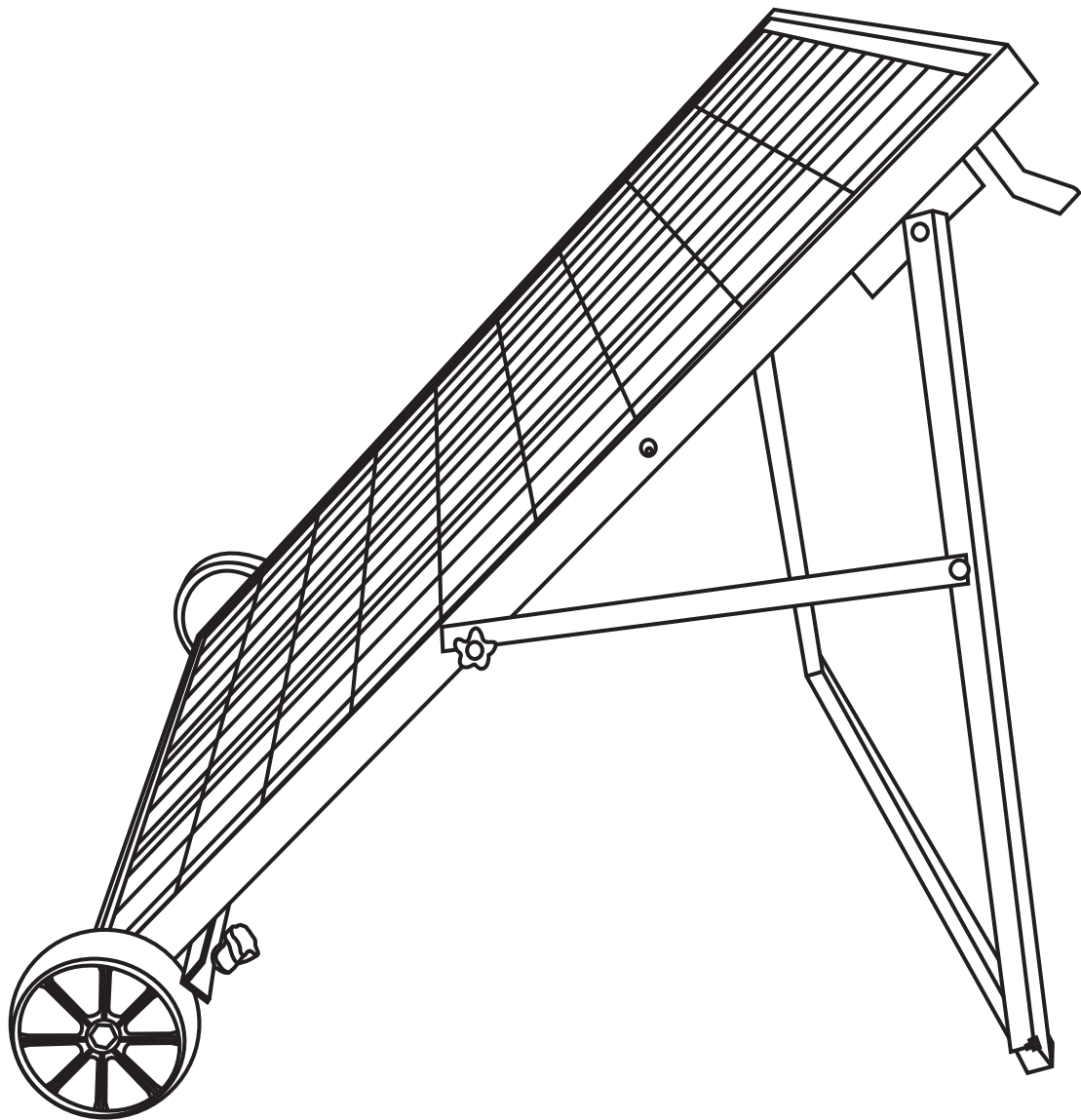


# Nature's Generator Power Panel User Manual





# Nature's Generator Power Panel

## Contents

Introduction .....	1
- Unpack Your Nature's Generator Power Panel .....	1
- Unpack Your Power Panel Accessory Box .....	2
- Assemble Your Power Panel Cart .....	3
Using Your Nature's Generator Power Panel.....	14
- Position Your Power Panel.....	14
- Use Your Power Panel .....	15
- Daisy Chain Your Power Panel.....	16
Technical Specifications.....	17
Limited Warranty .....	18

## ***Introduction***

Congratulations on your new 100watt power panel, a complete state-of-art solution that recharges your Nature's Generator (sold separately), Nature's Generator Elite (sold separately), Nature's Generator Power Pod (sold separately) or Nature's Generator Power Pod Elite (sold separately) from the sun.

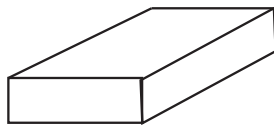
## ***Unpack Your Nature's Generator Power Panel***

What are included:

1. 100watt Power Panel



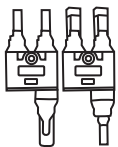
2. Power Panel accessory box



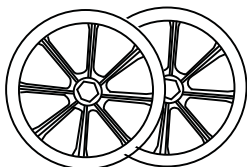
3. Power Panel cable (included in some models)



4. MC4 branch connector (included in some models)



5. Wheels

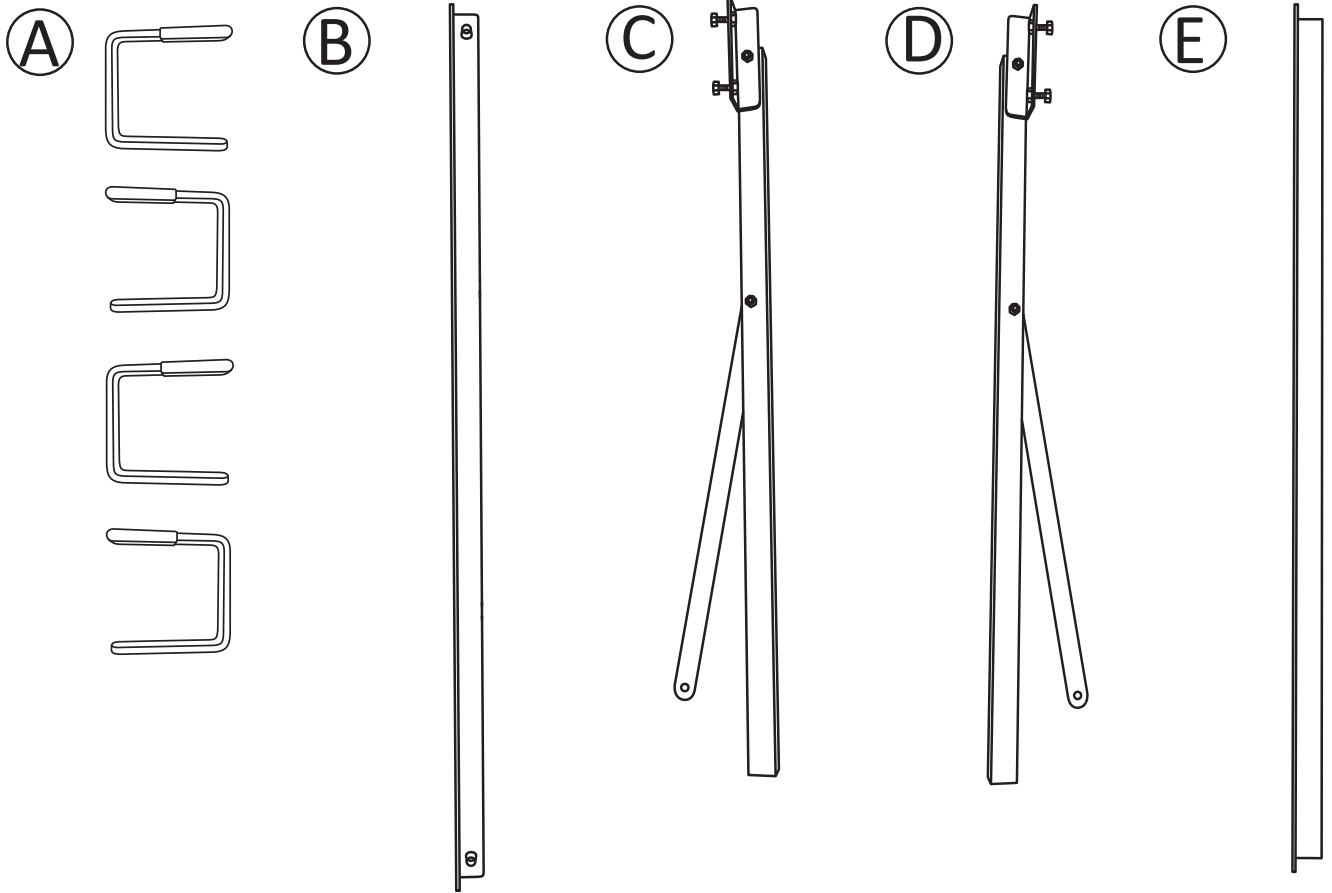


6. This Manual



# Unpack Your Power Panel Accessory Box

What are included:



**F**  
F-1A x 14 (2 spare pieces)

F-1B x 5 (1 spare piece)

F-2 x 2 pcs

F-3 x 4 pcs

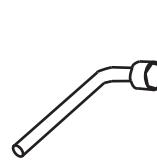
F-4 x 2 pcs

F-5 x 2 pcs

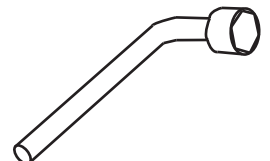
**T**



T-1



T-2



T-3

## ***Assemble Your Power Panel Cart***

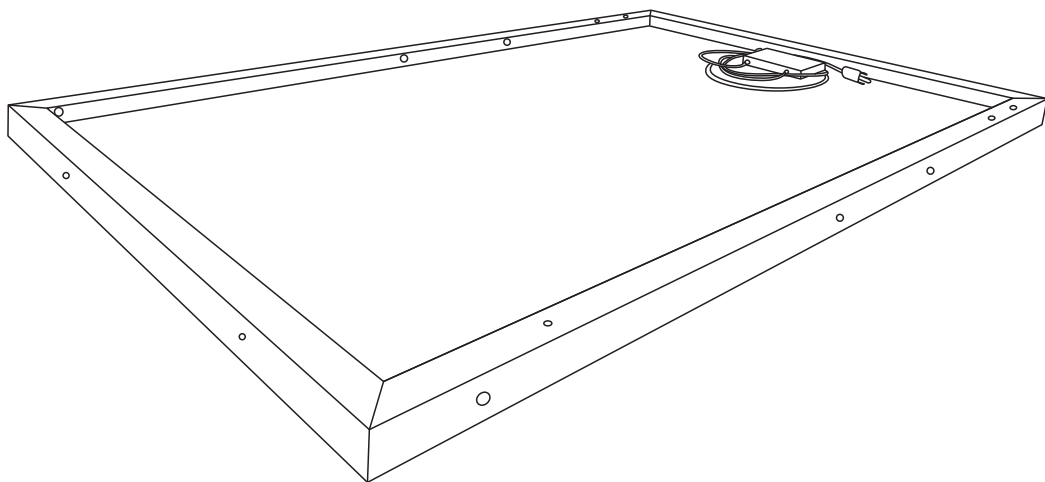
### **⚠ CAUTION**

Some parts may contain sharp edges. Wear protective gloves if necessary.

If you have any questions or need assistance during assembly please visit our YouTube channel, call us at 800.975.7909 or through email [support@naturesgenerator.com](mailto:support@naturesgenerator.com)

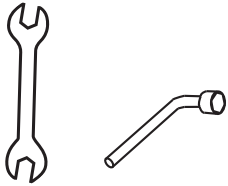
Step 1:

Place the Power Panel on a flat and soft surface.



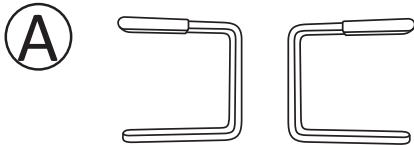
Step 2:

Required tools:

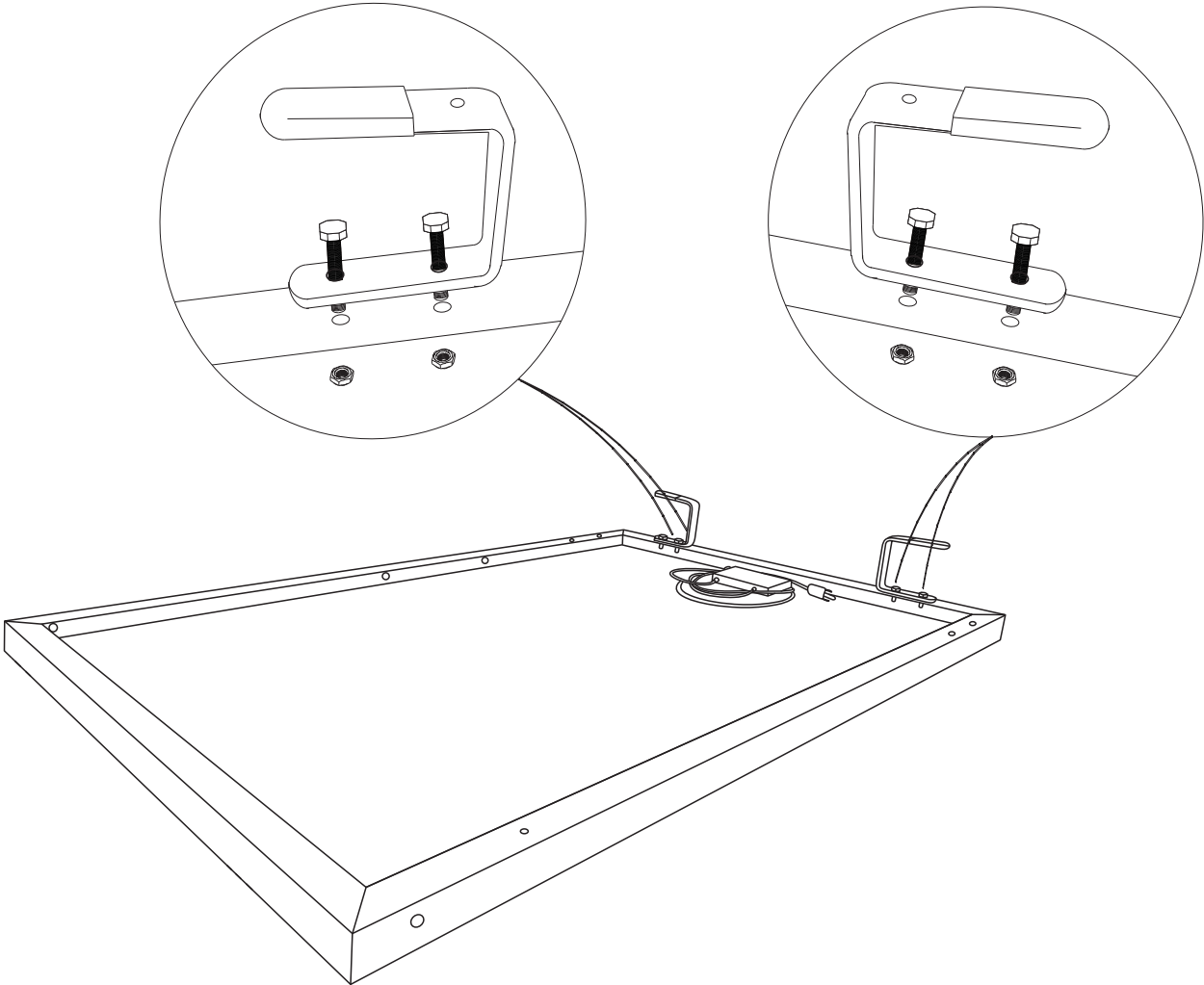


T-1 T-2

Required parts:

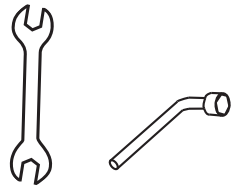


F-1A x 4 pcs



Step 3:


Required tools:

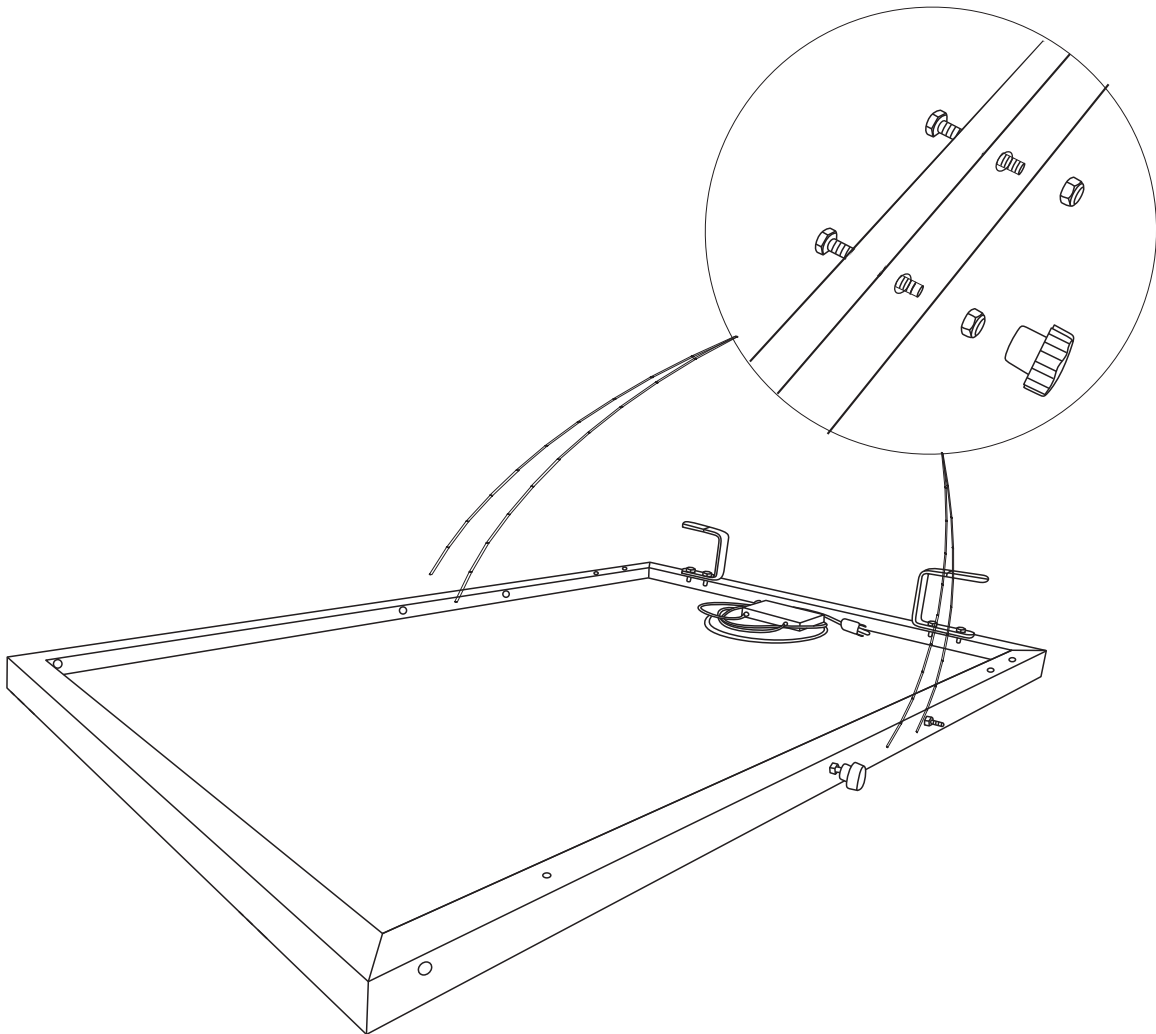


T-1 T-2

Required parts:


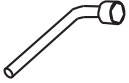
 F- 1B x 4 pcs

 F-2 x 2 pcs

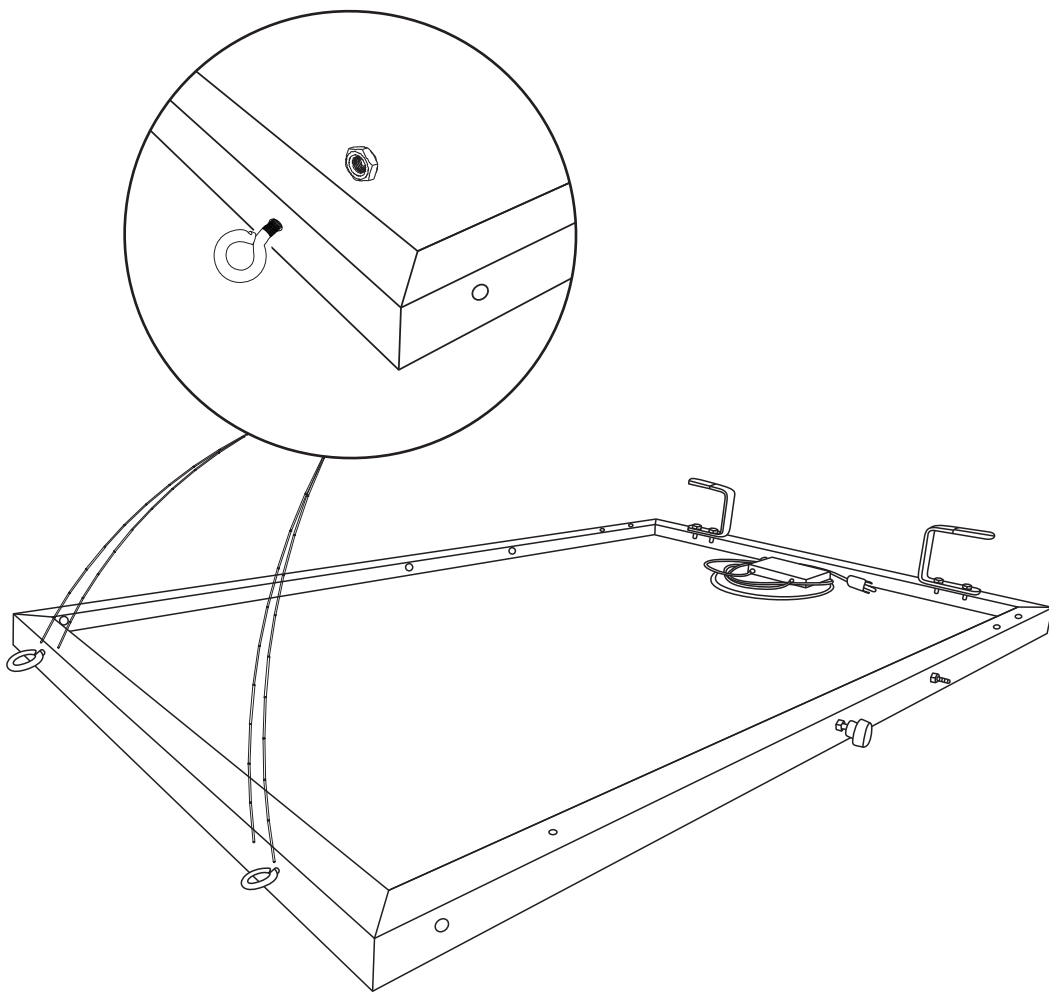




Step 4:

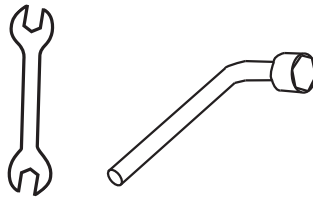
Required tools:    
T-1 T-2

Required parts:  F-3 x 2 pcs



Step 5:

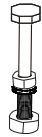
Required tools:



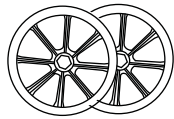
T-1

T-3

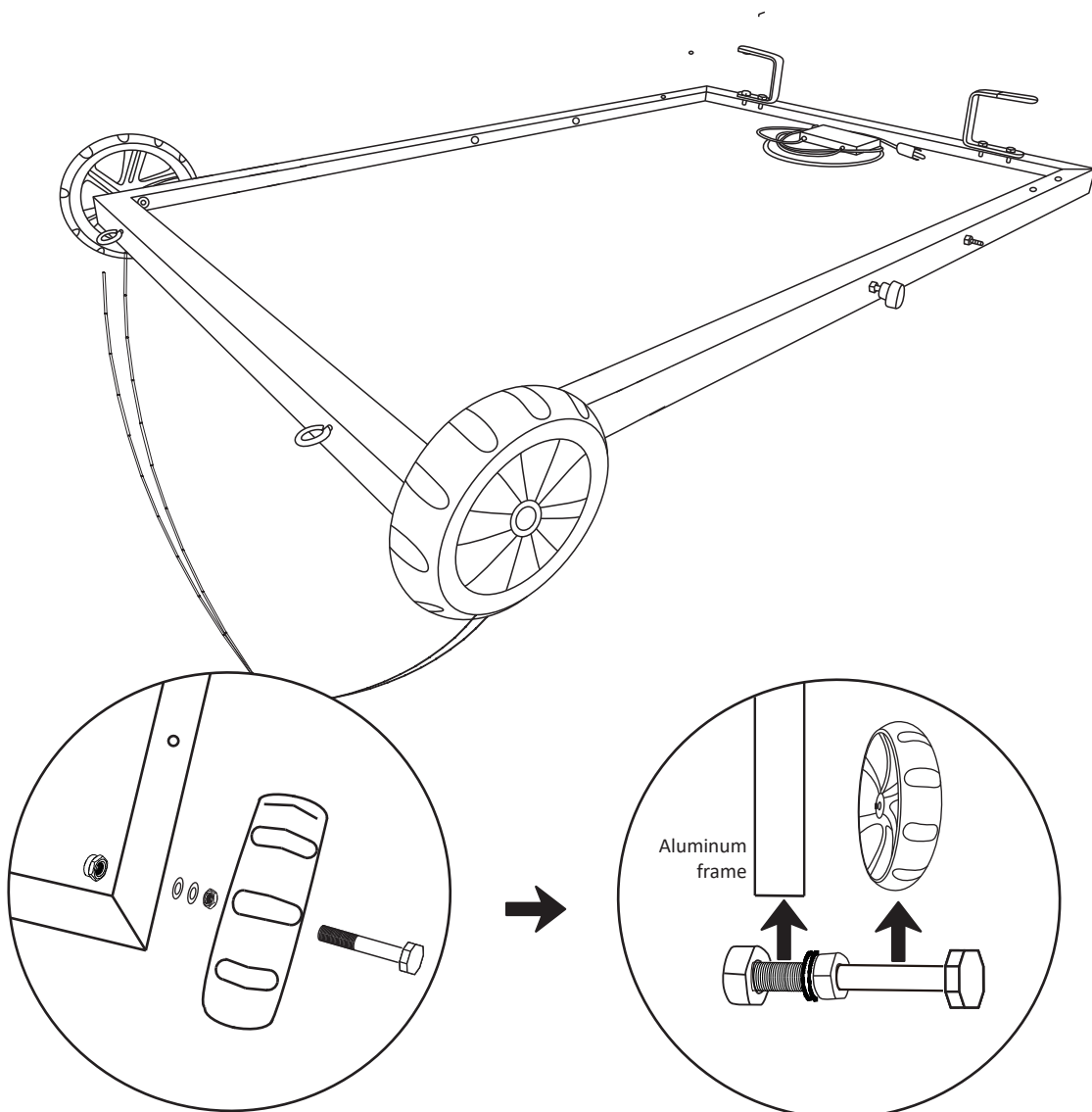
Required parts:



F-4 x 2 pcs

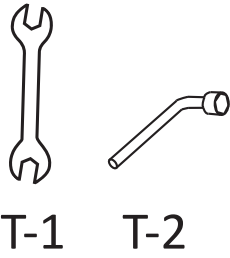


Wheels

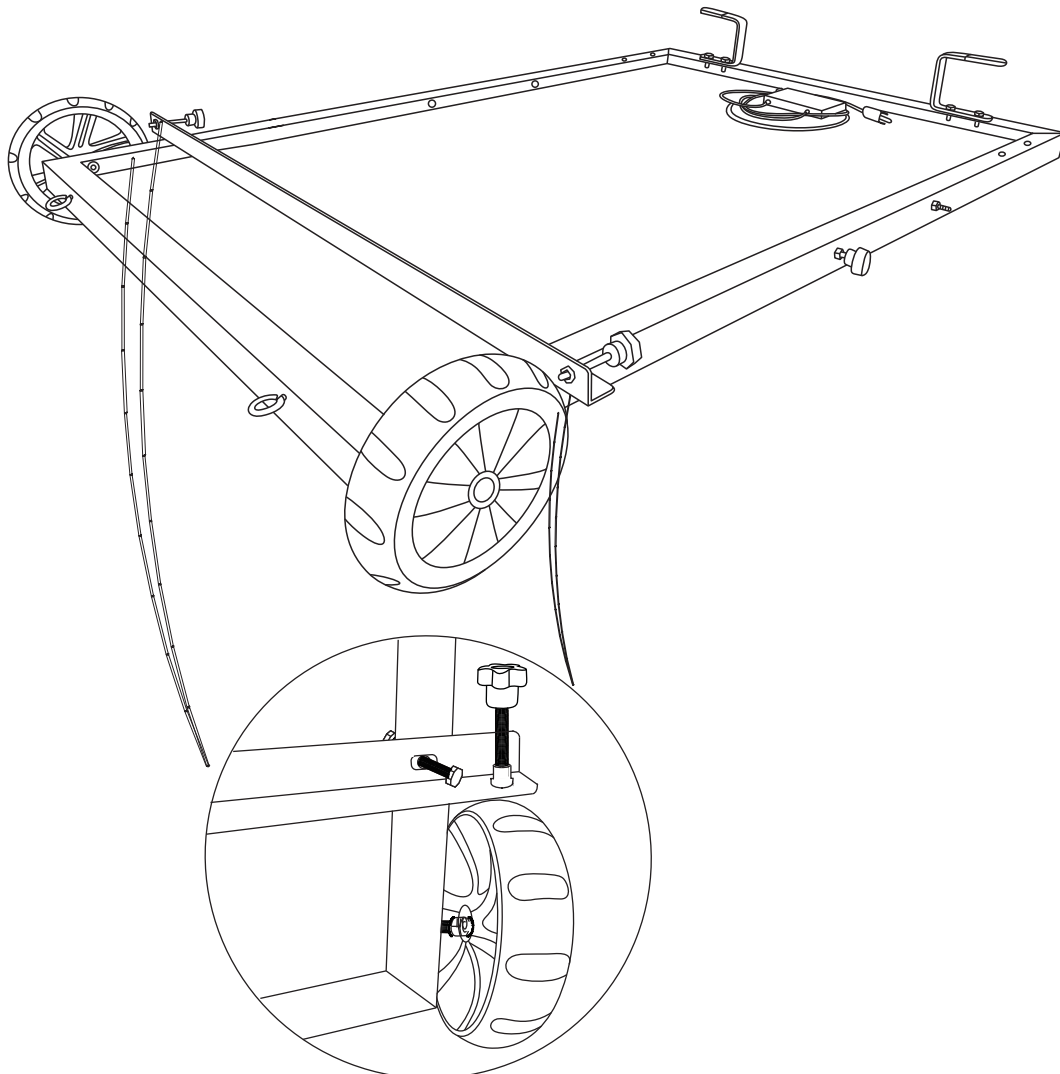
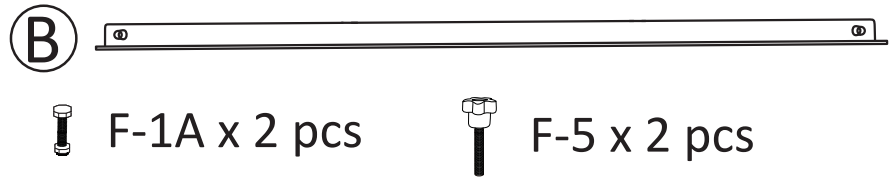


Step 6:

Required tools:

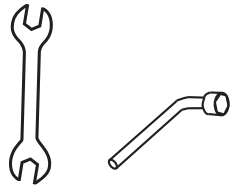


Required parts:



Step 7:

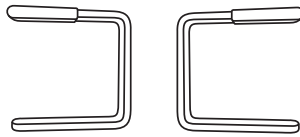
Required tools:



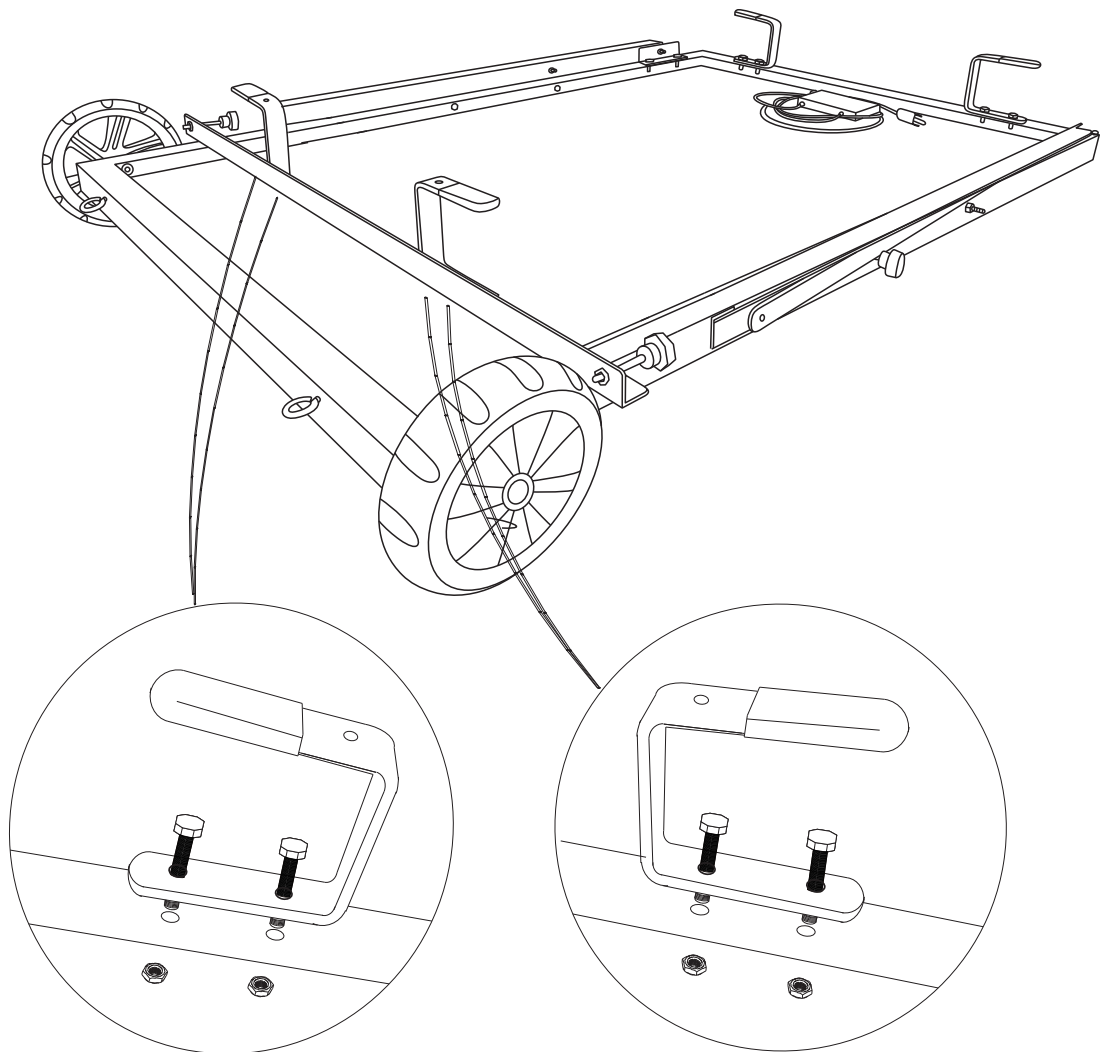
T-1 T-2

Required parts:

(A)

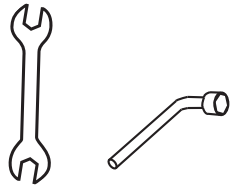


F-1A x 4 pcs



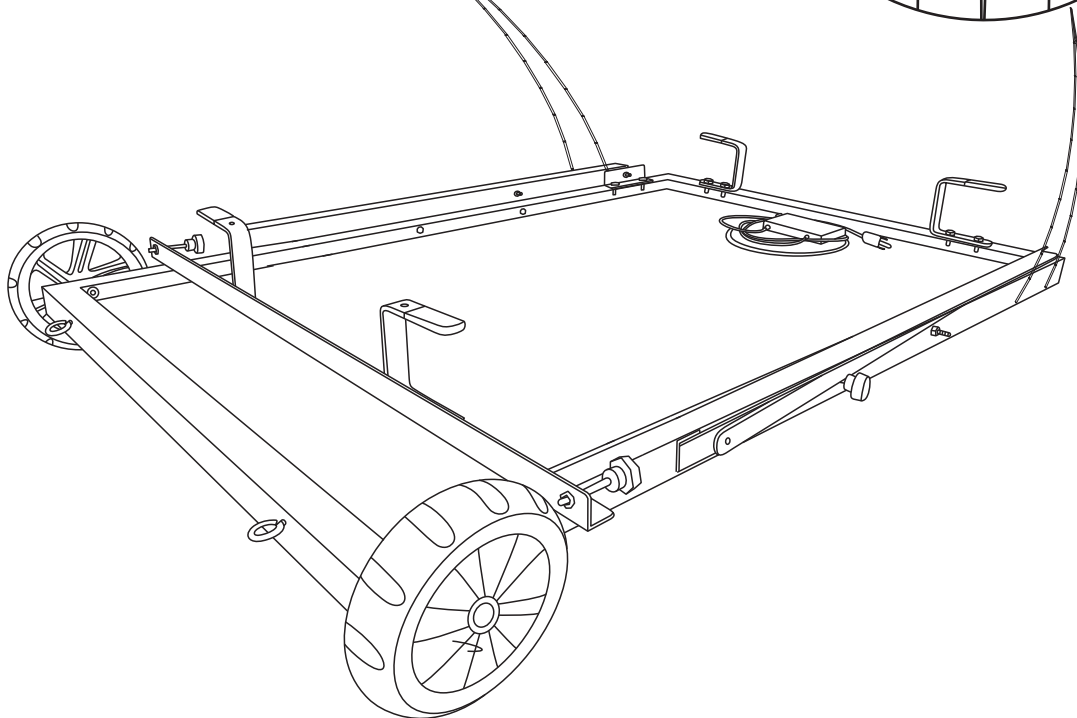
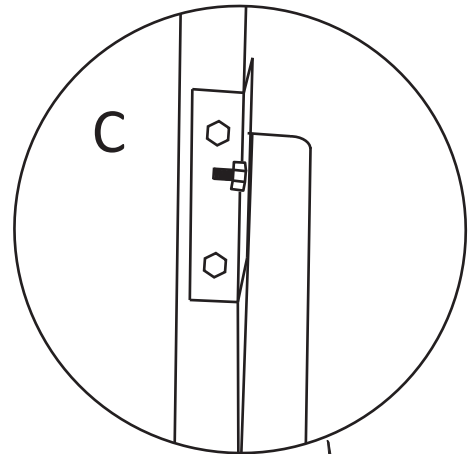
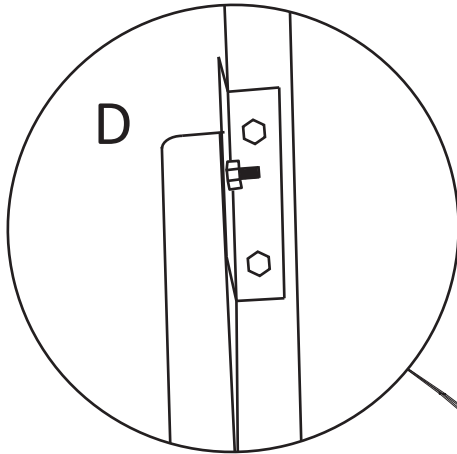
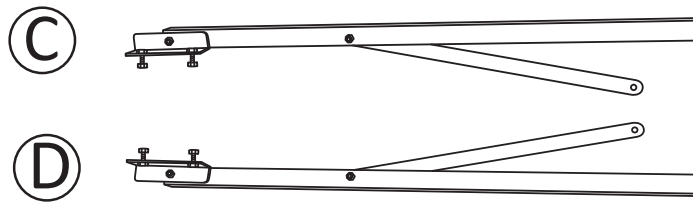
Step 8:

Required tools:


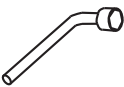





T-1 T-2

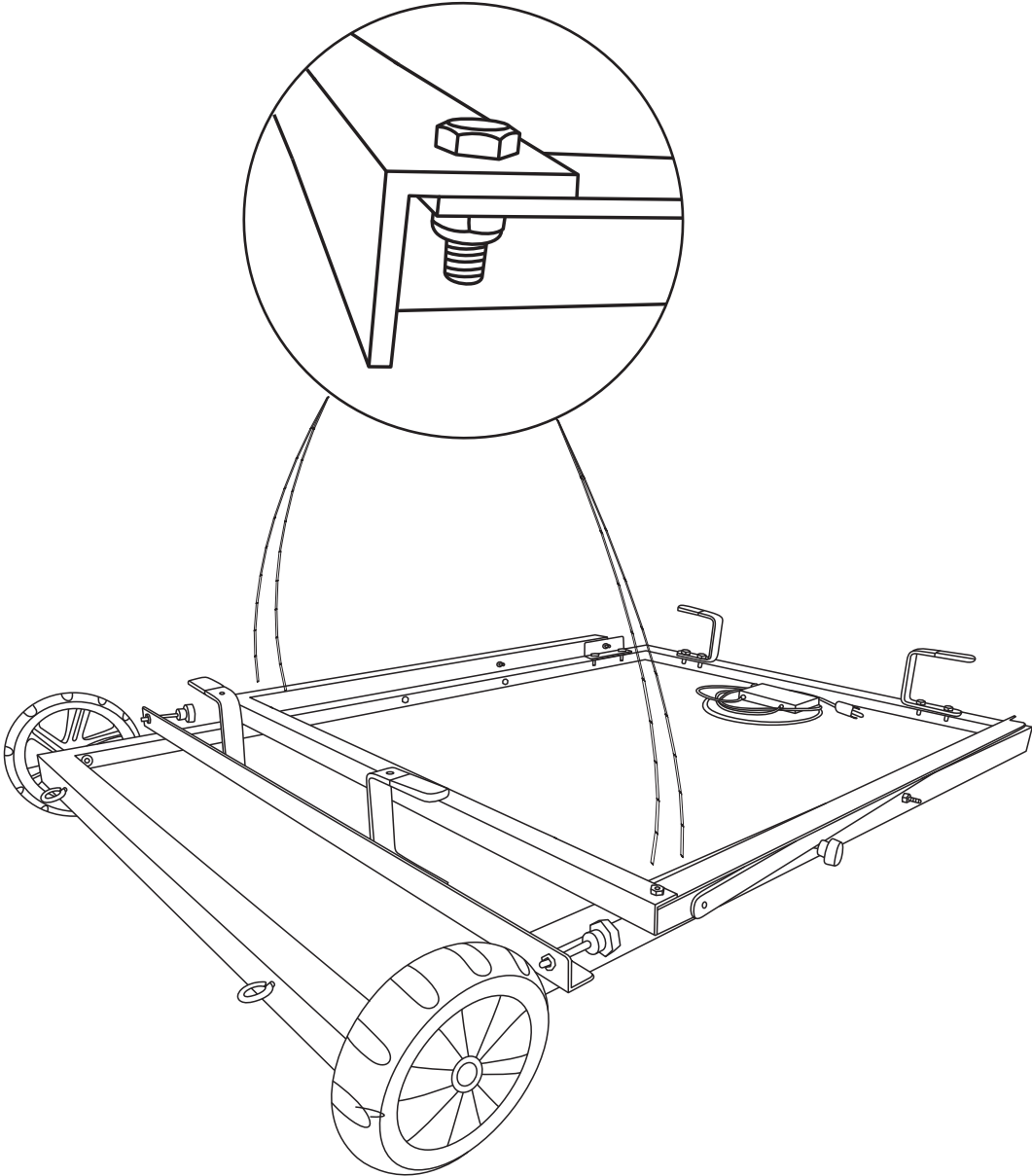
Required parts:



Step 9:

Required tools:    
T-1 T-2

Required parts:    
 F-1A x 2 pcs

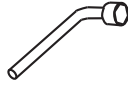


Step 10:

Required tools:



T-1

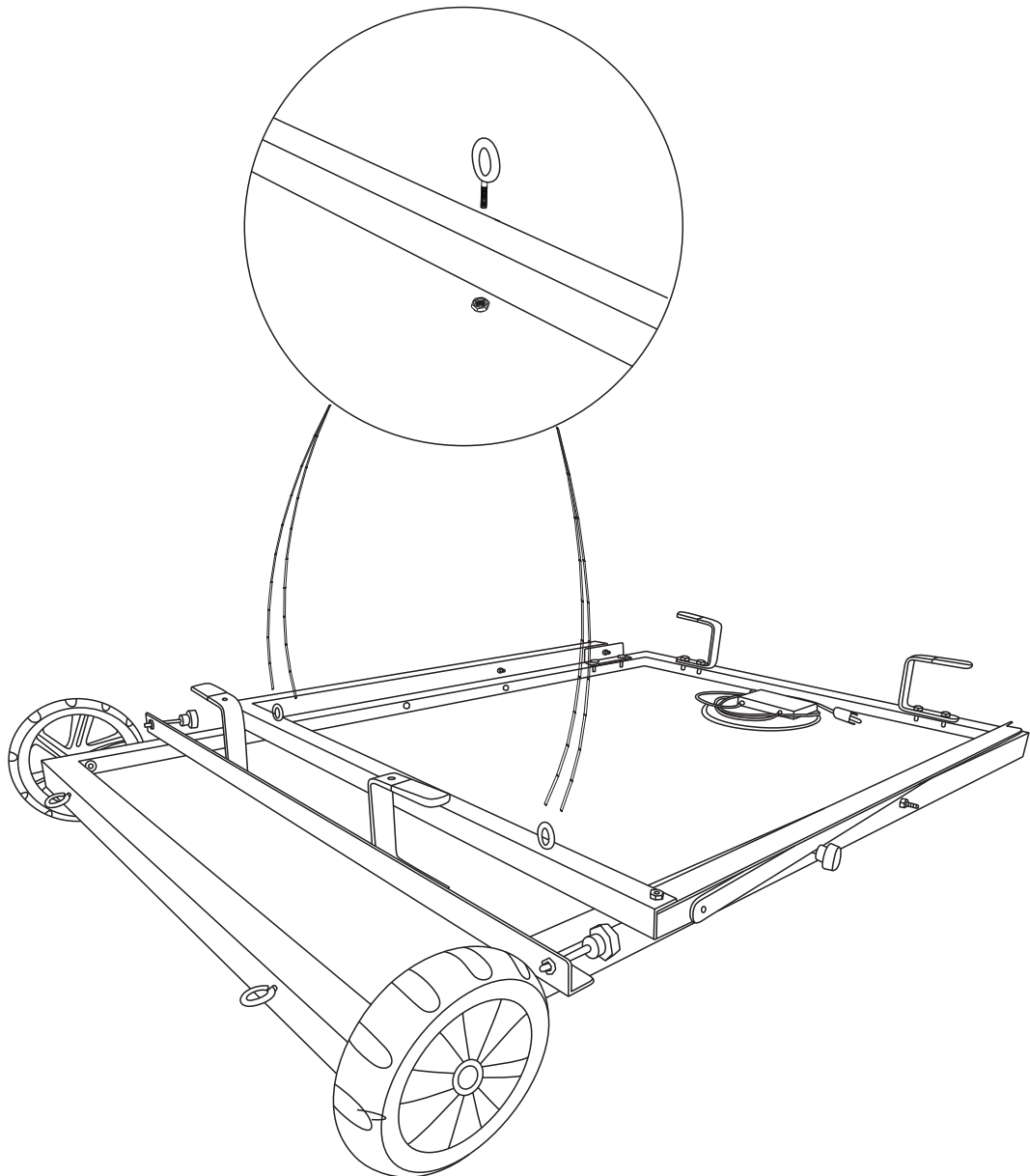


T-2

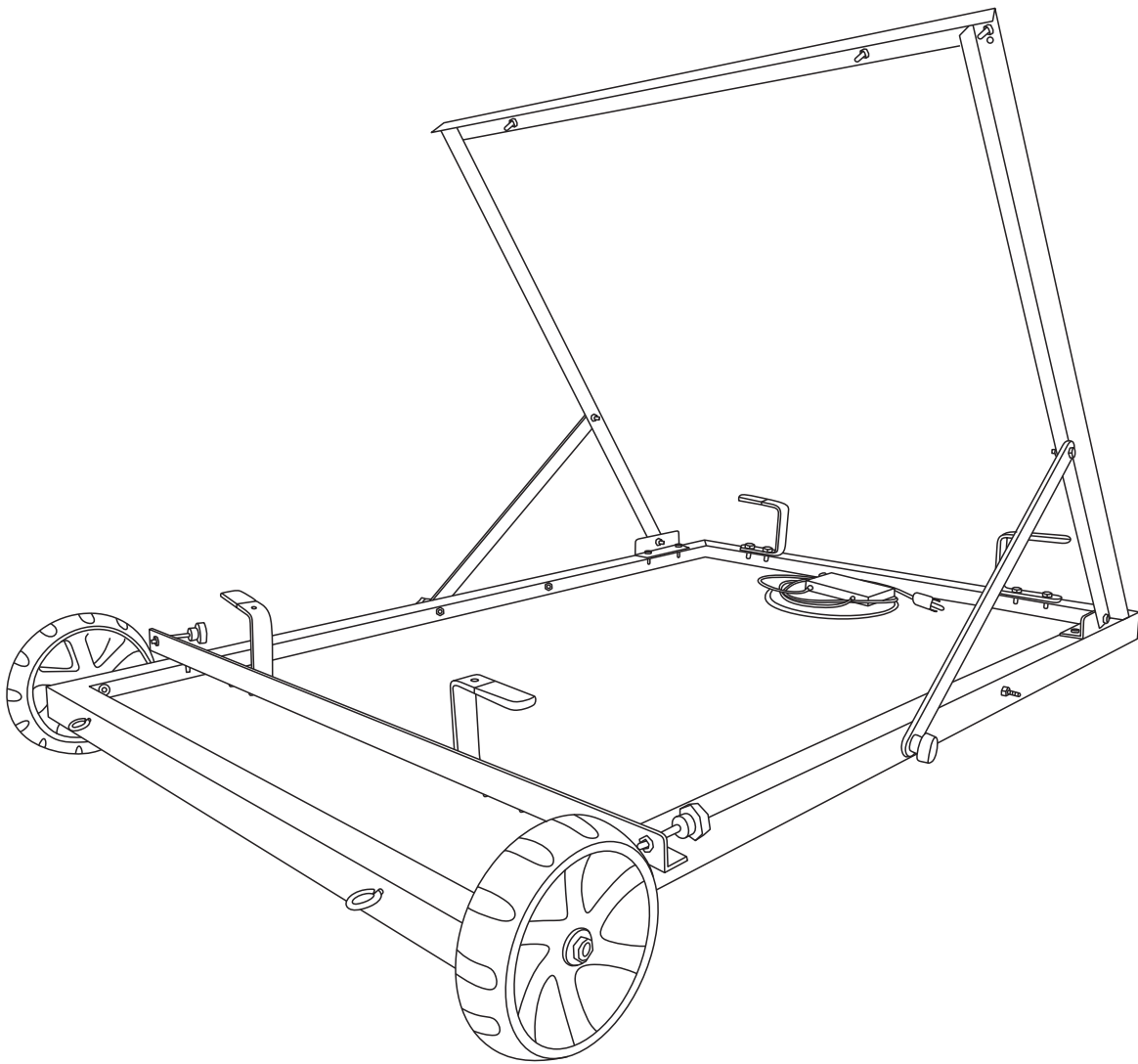
Required parts:



F-3 x 2 pcs



## 11. Finish





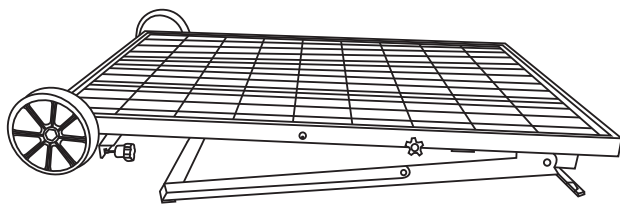
## ***Using Your Nature's Generator Power Panel***

### ***Position Your Power Panel***

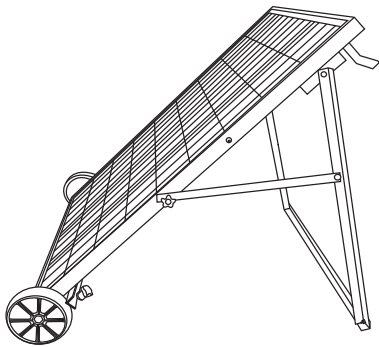
Please place your power panel where it will get as much direct sunlight as possible. There are three positions as follows:

#### **Flat Position:**

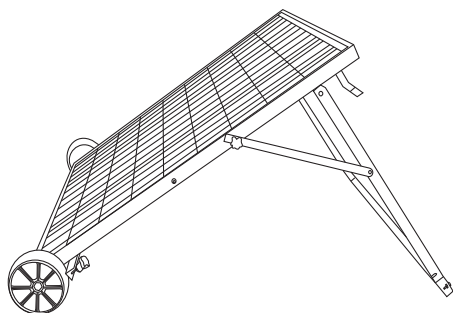
To mount the Power Panel semi-permanently or during travel.



#### **Winter Position:**

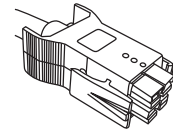


#### **Summer Position:**

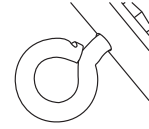


## ***Use Your Power Panel***

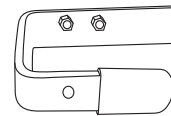
Connect the Power Panel cable to the solar input port.



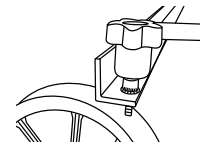
You can use the four eyebolts to anchor the Power Panel to the ground.



You can use handles for cable management and predrilled 6mm holes for optional mounting.

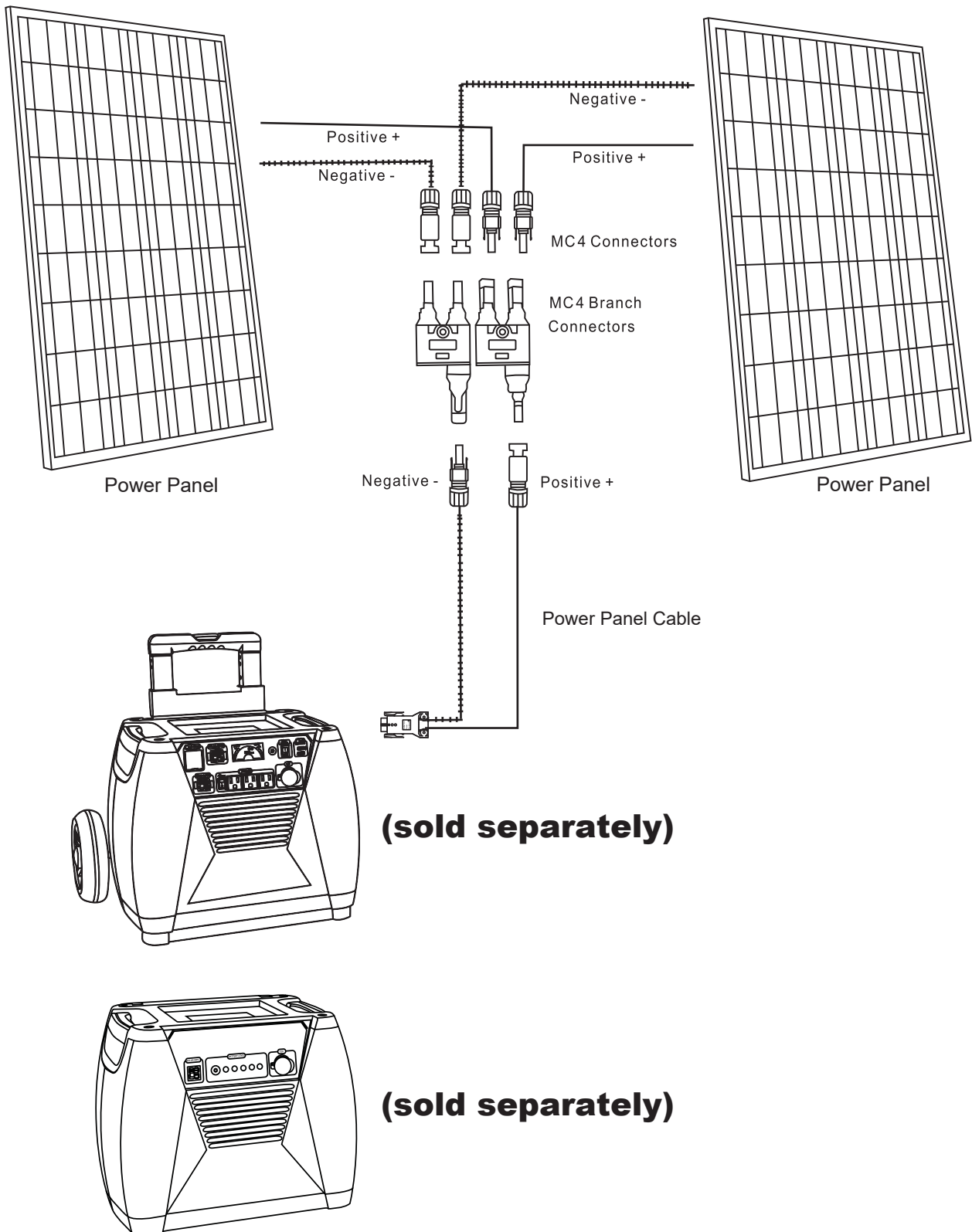


You can turn star knob clockwise to stop the wheel or counterclockwise to release.



## ***Daisy Chain Your Power Panel***

To double charging speed, use the parallel connection method.



## ***Technical Specifications***

Rated Power: 100W

Voltage: 17V ~ 22V

Fuse Rating: 8A

Cell: Monocrystalline

Certifications:



## ***Limited Warranty***

### One Year Limited Warranty

Natures Generator Inc warrants to you, the original purchaser of this new product, that the product shall be free of defects in the original manufacture of the material or workmanship for a period of one (1) year from the original date of your purchase of the product ("Warranty Period"). This product must be purchased from an authorized dealer and packaged with this warranty statement. This warranty does not cover refurbished product.

### What does this Warranty Cover?

During the Warranty Period, if the original manufacture of the material or workmanship of the product is determined to be defective by an authorized dealer, Natures Generator Inc. will (at its sole option): (1) repair the product with new or rebuilt parts; or (2) replace the product at no charge with new or rebuilt comparable products or parts. Products and parts replaced under this warranty become the property of Nature's Generator and are not returned to you. If service of products or parts are required after the Warranty Period expires, you must pay all labor and parts charges. This warranty lasts as long as you own your product during the Warranty Period. Warranty coverage terminates if you sell or otherwise transfer the product.

### How to Obtain Warranty Service?

Please call 1-800-975-7909 Monday through Friday, 9:00AM to 5:00PM PST. You will be provided with a Return Merchandise Authorization (RMA) number and return instructions. Send product to:

Nature's Generator Inc.  
3233 Mission Oaks Blvd., Suite N  
Camarillo, CA 93012

Please include the RMA number prominently displayed on the shipping box and include your name, phone number and address with the product inside the box.

### Where is the Warranty Valid?

This warranty is valid only to the original purchaser of the product in in United States and Canada.

## ***What does the Warranty not Cover?***

This warranty does not cover:

- Cosmetic damage
- Damage due to acts of God, such as lightning strikes
- Accident
- Misuse
- Abuse
- Negligence
- Commercial use
- Modification of any part of the product
- Damage due to incorrect operation or maintenance
- Connection to an incorrect voltage supply
- Attempted repair by anyone other than a facility authorized by Nature's Generator Inc. to service the product
- Products sold as is or with all faults
- Consumables, such as batteries
- Products where the factory applied serial number has been altered or removed

REPAIR REPLACEMENT AS PROVIDED UNDER THIS WARRANTY IS YOUR EXCLUSIVE REMEDY. NATURES GENERATOR INC. SHALL NOT BE LIABLE FOR ANY INCIDENTAL OR CONSEQUENTIAL DAMAGES FOR THE BREACH OF ANY EXPRESS OR IMPLIED WARRANTY ON THIS PRODUCT, INCLUDING, BUT NOT LIMITED TO LOST DATA, LOSS OF USE OF YOUR PRODUCT, LOST BUSINESS OR LOST PROFITS. NATURES GENERATOR INC. PRODUCTS MAKES NO OTHER EXPRESS WARRANTIES WITH RESPECT TO THE PRODUCT, ALL EXPRESS AND IMPLIED WARRANTIES FOR THE PRODUCT, INCLUDING, BUT NOT LIMITED TO, ANY IMPLIED WARRANTIES OF AND CONDITIONS OF MERCHANTABILITY AND FITNESS FOR A PARTICULAR PURPOSE, ARE LIMITED IN DURATION TO THE WARRANTY PERIOD SET FORTH ABOVE AND NO WARRANTIES, WHETHER EXPRESS OR IMPLIED, WILL APPLY AFTER THE WARRANTY PERIOD. SOME STATES, PROVINCES AND JURISDICTIONS DO NOT ALLOW LIMITATIONS ON HOW LONG AN IMPLIED WARRANTY LASTS, SO THE ABOVE LIMITATION MAY NOT APPLY TO YOU. THIS WARRANTY GIVES YOU SPECIFIC LEGAL RIGHTS, AND YOU MAY ALSO HAVE OTHER RIGHTS, WHICH VARY FROM STATE TO STATE OR PROVINCE TO PROVINCE.

Contact Nature's Generator Inc.

For customer service please call 1-800-975-7909

Nature's Generator Inc.

3233 Mission Oaks Blvd., Suite N  
Camarillo, CA 93012



