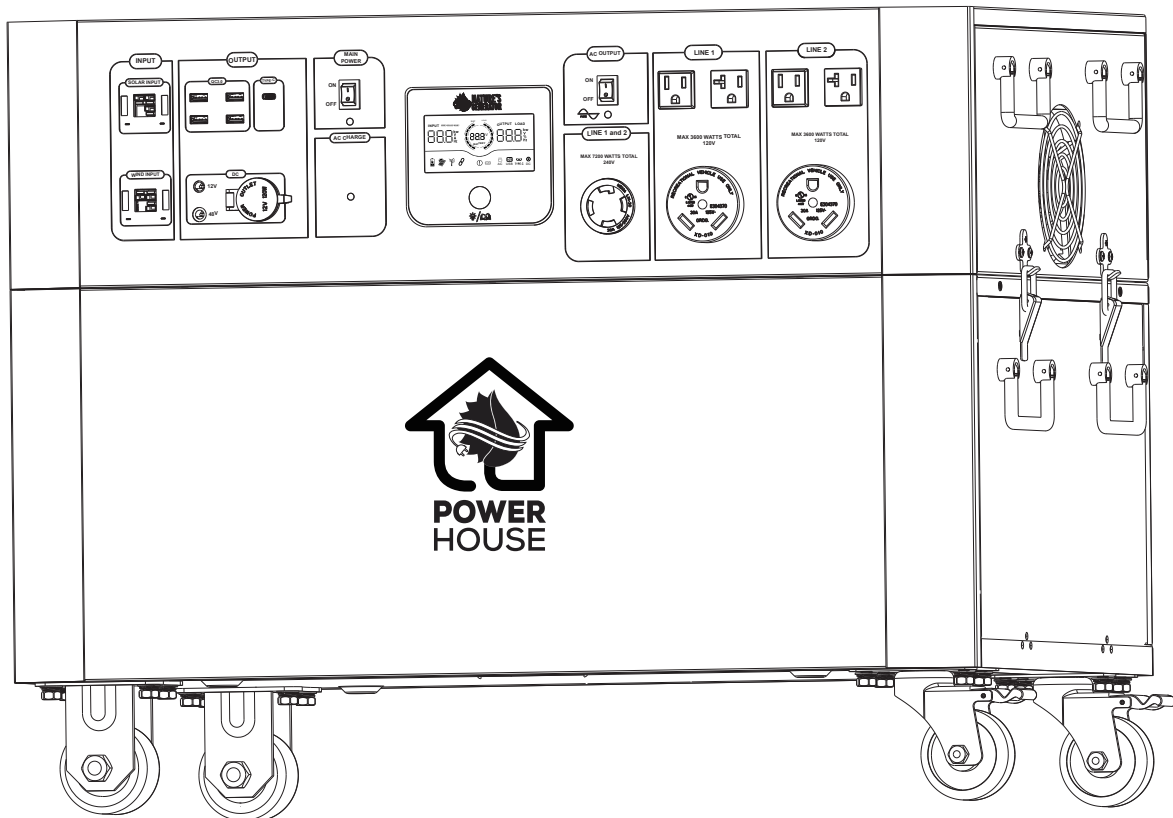


# Nature's Generator Powerhouse

## User Manual



# Nature's Generator Powerhouse

## Contents

Important Safety Instructions .....	1
- Warning .....	1
- Caution .....	2
Introduction .....	3
- Unpack Your Nature's Generator Powerhouse .....	3
- Get to Know Your Nature's Generator Powerhouse .....	4
Using Your Nature's Generator Powerhouse .....	8
- How to Assemble Your Nature's Generator Powerhouse .....	8
- How to Recharge Your Nature's Generator Powerhouse .....	9
- How to Use Your Nature's Generator Powerhouse .....	11
- How to Expand the Capacity of Your Nature's Generator Powerhouse .....	11
- How to Maintain and Store Your Nature's Generator Powerhouse .....	12
Troubleshooting .....	12
Technical Specifications .....	14
Limited Warranty .....	15

## ***Important Safety Instructions***

1. Read these instructions.
2. Keep this user manual in a safe and accessible place.
3. Take note of all warnings.
4. Follow all instructions.
5. Do not use this apparatus near water.
6. Do not block any ventilation openings.
7. Do not use near flammable gases or fumes or other apparatus that produce a large amount of heat.
8. Only use attachments/accessories approved by the manufacturer.
9. Only use with the wheels and handles approved by manufacturer, or sold with product. Use cautiously when moving with the wheels and handles to avoid tip-over injury.
10. Refer all servicing to qualified service personnel. Servicing is required when the equipment has been damaged in any way, such as power-supply cord or plug is damaged, liquid has been spilled or objects have fallen into the equipment, the equipment has been exposed to rain or moisture, has been dropped or does not operate normally.
11. The equipment should not be exposed to dripping or splashing, and no objects filled with liquids, such as drinking glasses or vases, should be placed on the equipment.

## ***Warning***

### ***Electric Shock Hazard***

Keep away from children. Nature's Generator Powerhouse generates the same potentially lethal AC power as a normal household wall outlet. To reduce the risk of fire or electric shock, do not remove any cover or expose the device to rain or moisture. Do not insert foreign objects into the AC outlets or the ventilation holes.

### ***Explosion Hazard***

Do not burn or incinerate this item. This item may explode, causing property damage or personal injury. Do not use near flammable gases or fumes or other apparatus that produces large amounts of heat.

### ***Lightning Hazard***

For added protection for your device during a lightning storm, unplug it from the power outlet and disconnect the cables. This helps to prevent property damage and personal injury from lightning and power line surges.

### ***Energy and Burn Hazard***

Nature's Generator Powerhouse has sealed lead acid batteries, which can present a risk of burn or fire hazard from high current because of short-circuit.

### ***Replacement Parts***

When replacement parts are required, make sure that the service technician uses replacement parts specified by the manufacturer that have the same characteristics as the original part. Unauthorized substitutions may result in fire, electric shock, personal injury, or other hazards.

### ***Caution***

#### ***Damage Requiring Service***

Stop using the Nature's Generator Powerhouse and refer servicing to qualified service personnel under the following conditions:

- If liquid has been spilled or objects have fallen into your Nature's Generator Powerhouse.
- If your Nature's Generator Powerhouse has been exposed to rain or water.
- If your Nature's Generator Powerhouse has been dropped or damaged in any way.
- When your Nature's Generator Powerhouse exhibits a distinct change in performance.

### ***Cold Weather***

Cold temperatures can impact Nature's Generator Powerhouse performance. If you are in area that will be consistently below freezing, we recommend keeping your Nature's Generator Powerhouse in an insulated location and connected to solar panels.

### ***Recycling and Disposal***

Your Nature's Generator Powerhouse may contain materials that are regulated for environmental reasons.

Your Nature's Generator Powerhouse also contains materials that can be recycled and reused. To help protect the environment, contact your local authorities for information about disposal or recycling and about finding a recycler in your area before you dispose of your Nature's Generator Powerhouse.

### ***Safety Check***

After completing any service or repair to this device, ask the service technician to perform routine safety checks to determine that your Nature's Generator Powerhouse is in correct operating condition.

### ***Servicing***

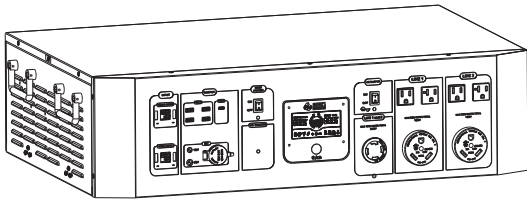
These servicing instructions are for use by qualified service personnel only. To reduce the risk of electric shock, do not perform any servicing other than that contained in the operating instructions unless you are qualified to do so.

## ***Introduction***

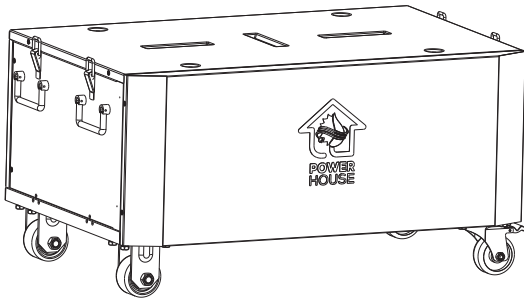
Congratulations on your new Nature's Generator Powerhouse, a state-of-art generator that provides reliable power for emergencies, off grid living, or wherever power is needed.

## ***Unpacking Your Nature's Generator Powerhouse***

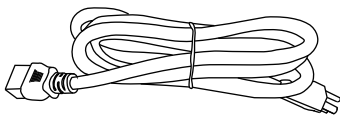
### 1. Nature's Generator Powerhouse Generator



### 2. Nature's Generator Powerhouse Battery Storage



### 3. AC Power Cord

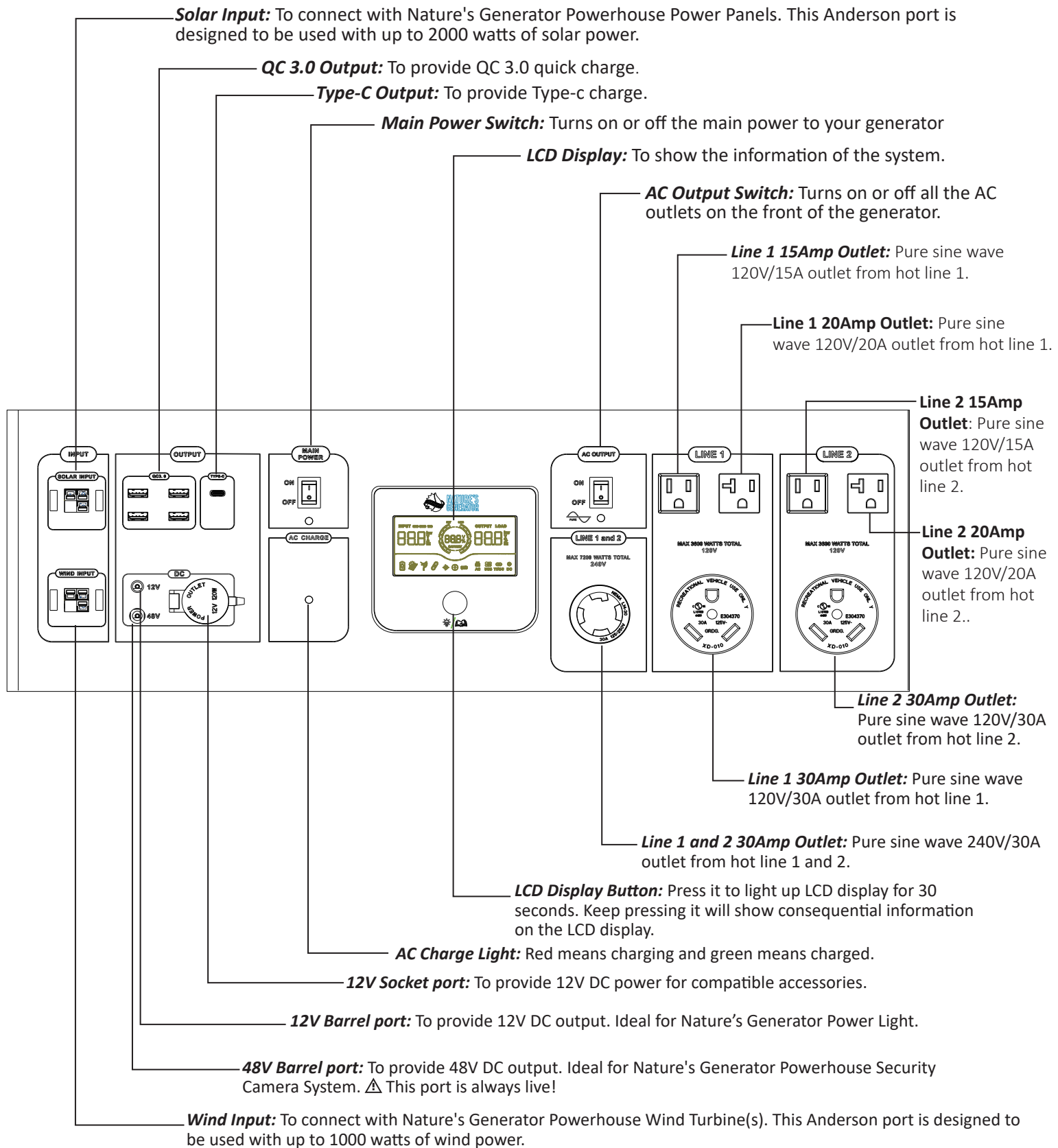


### 4. This User Guide

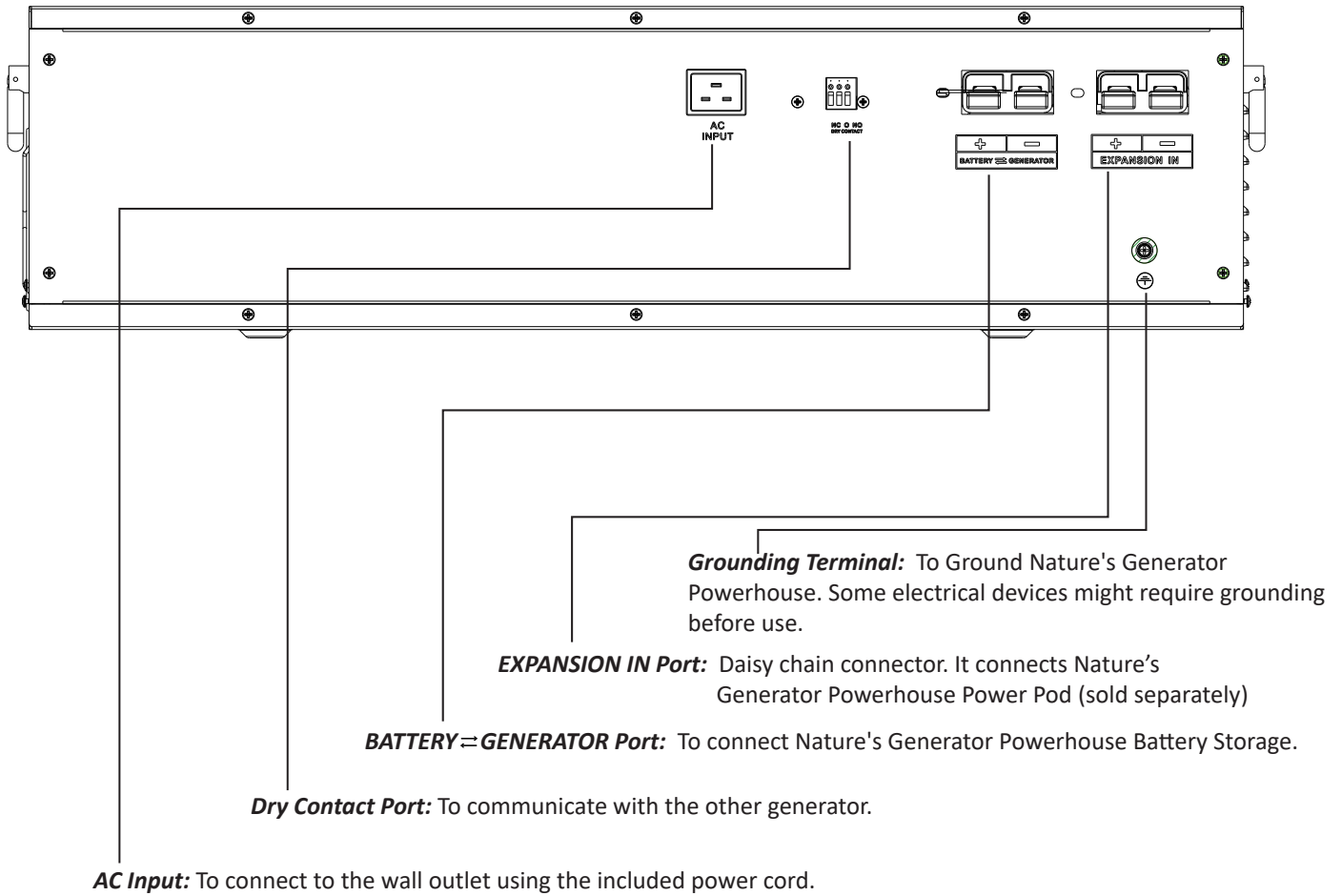


# Get to Know Your Nature's Generator Powerhouse

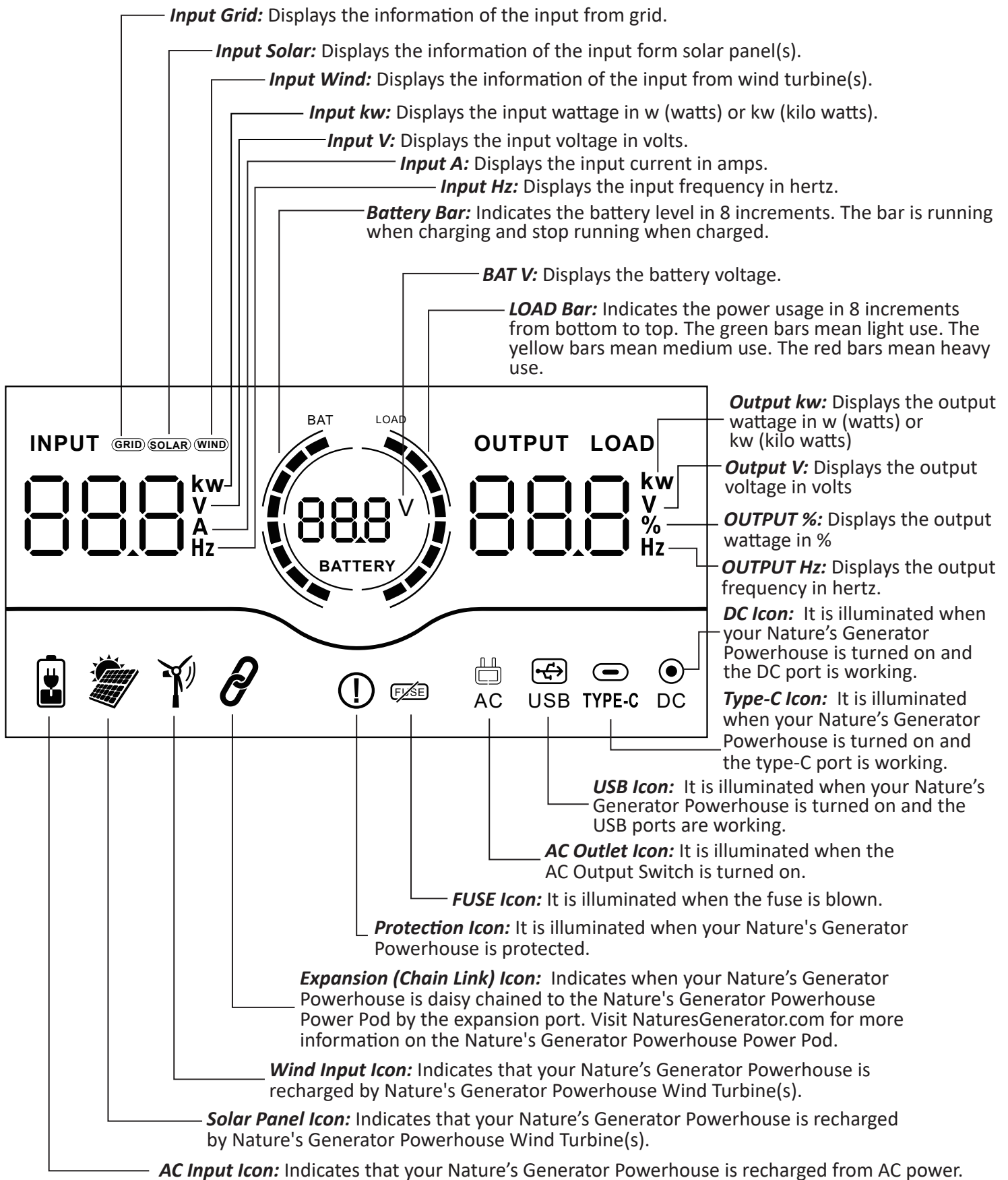
## Front Panel



## Back Panel



## How to Read the LCD Display





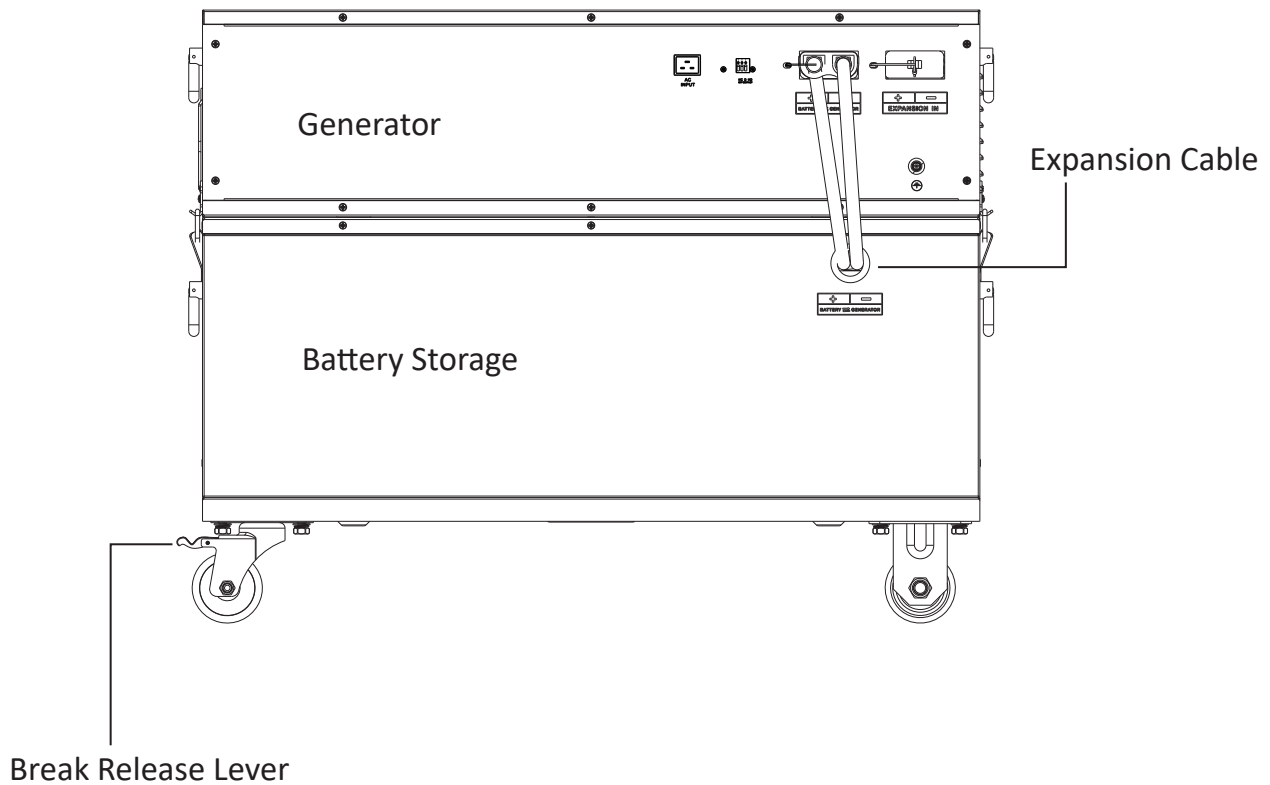
## ***Protection Code***

- E02: The Nature's Generator Powerhouse has been protected from high temperature.
- E03: The Nature's Generator Powerhouse has been protected from high voltage of batteries.
- E04: The Nature's Generator Powerhouse has been protected from low voltage of batteries.
- E05: The Nature's Generator Powerhouse has been protected because of the short circuit of the inverter.
- E06: The Nature's Generator Powerhouse has been protected because the output voltage from the inverter is too high.
- E07: The Nature's Generator Powerhouse has been protected from over-loaded.
- E11: The Nature's Generator Powerhouse has been protected because the input from solar panels is too high
- E12: The Nature's Generator Powerhouse has been protected because the input from the wind turbines is too high
- E97: The Nature's Generator Powerhouse has been protected because the output voltage from the inverter is too low.
- E98: Communication fails
- E99: The inverter fails to start up.

## Using Your Nature's Generator Powerhouse

### How to Assemble Your Nature's Generator Powerhouse

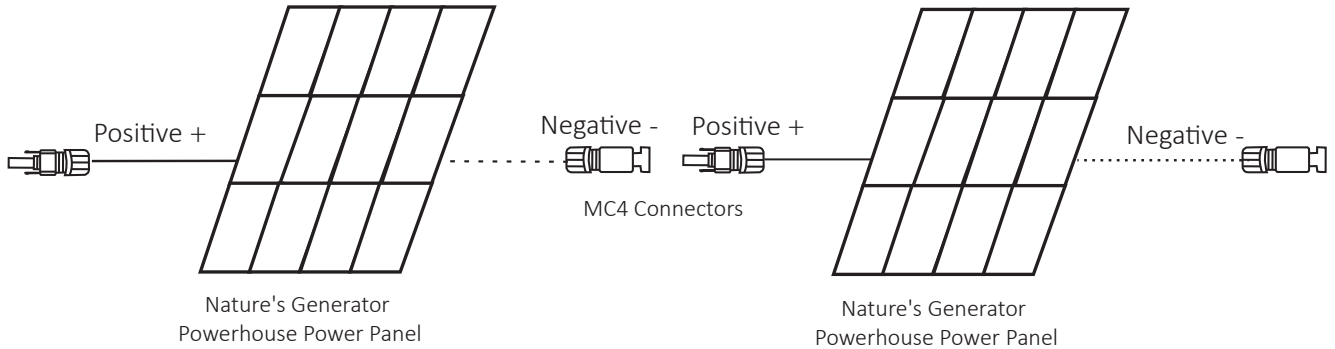
1. Gently move your Nature's Generator Powerhouse Battery Storage to the desired location. Please be aware that two wheels have breaks. Release the breaks before you start moving Nature's Generator Powerhouse Battery Storage.
2. Team lift Nature's Generator Powerhouse Generator and place it on top of the Nature's Generator Powerhouse Battery Storage. Make sure they are aligned Properly. If the ground is uneven or sloping, please add the shim(s) under the wheels to keep your Nature's Generator Powerhouse leveled.
3. Lock the latches on both sides.
4. Connect the expansion cable from Nature's Generator Powerhouse Battery Storage to the Battery = Generator Port on the back of Nature's Generator Powerhouse Generator.



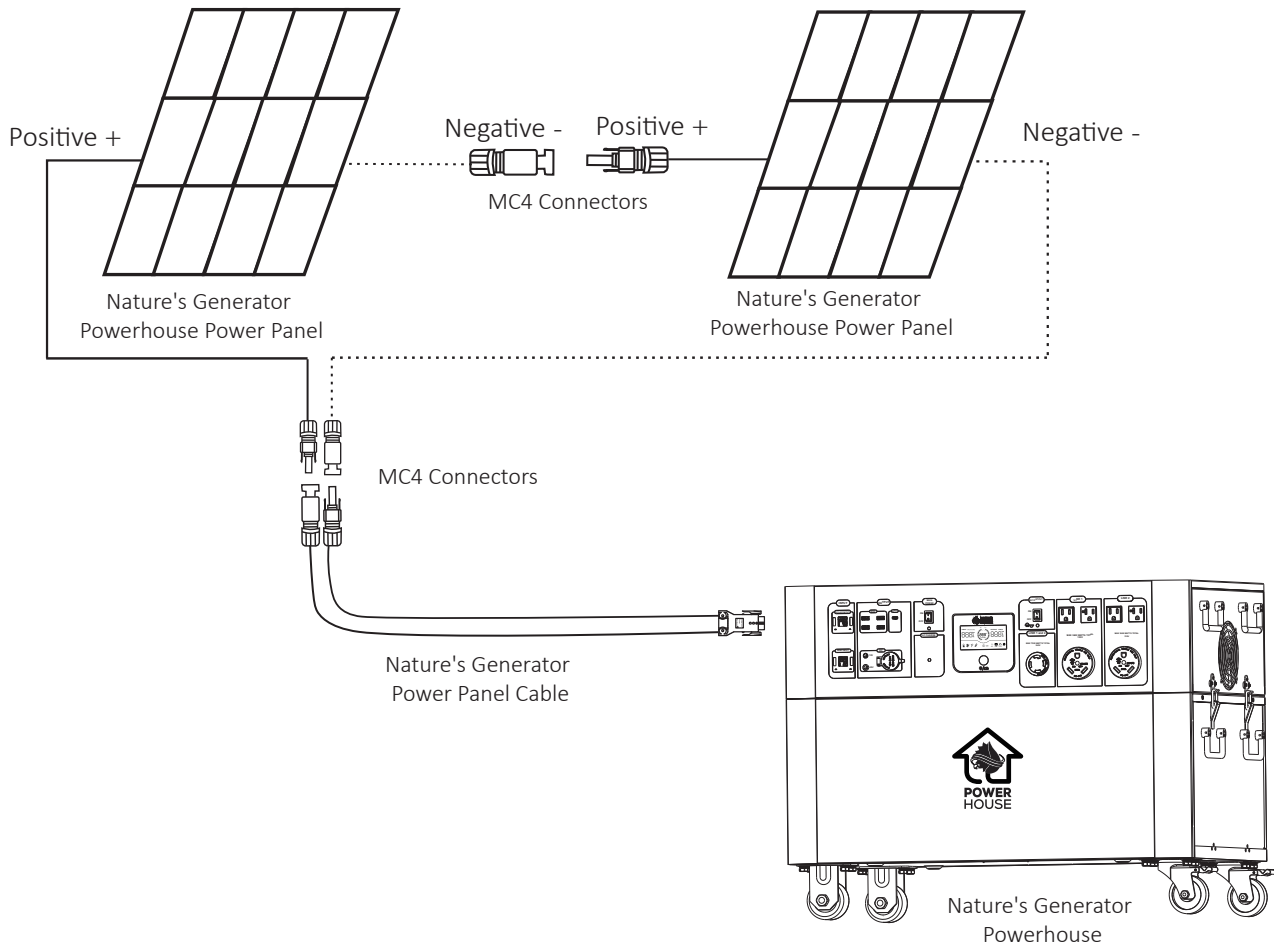
## How to Recharge Your Nature's Generator Powerhouse

Recharging from Nature's Generator Powerhouse Power Panels (sold separately):

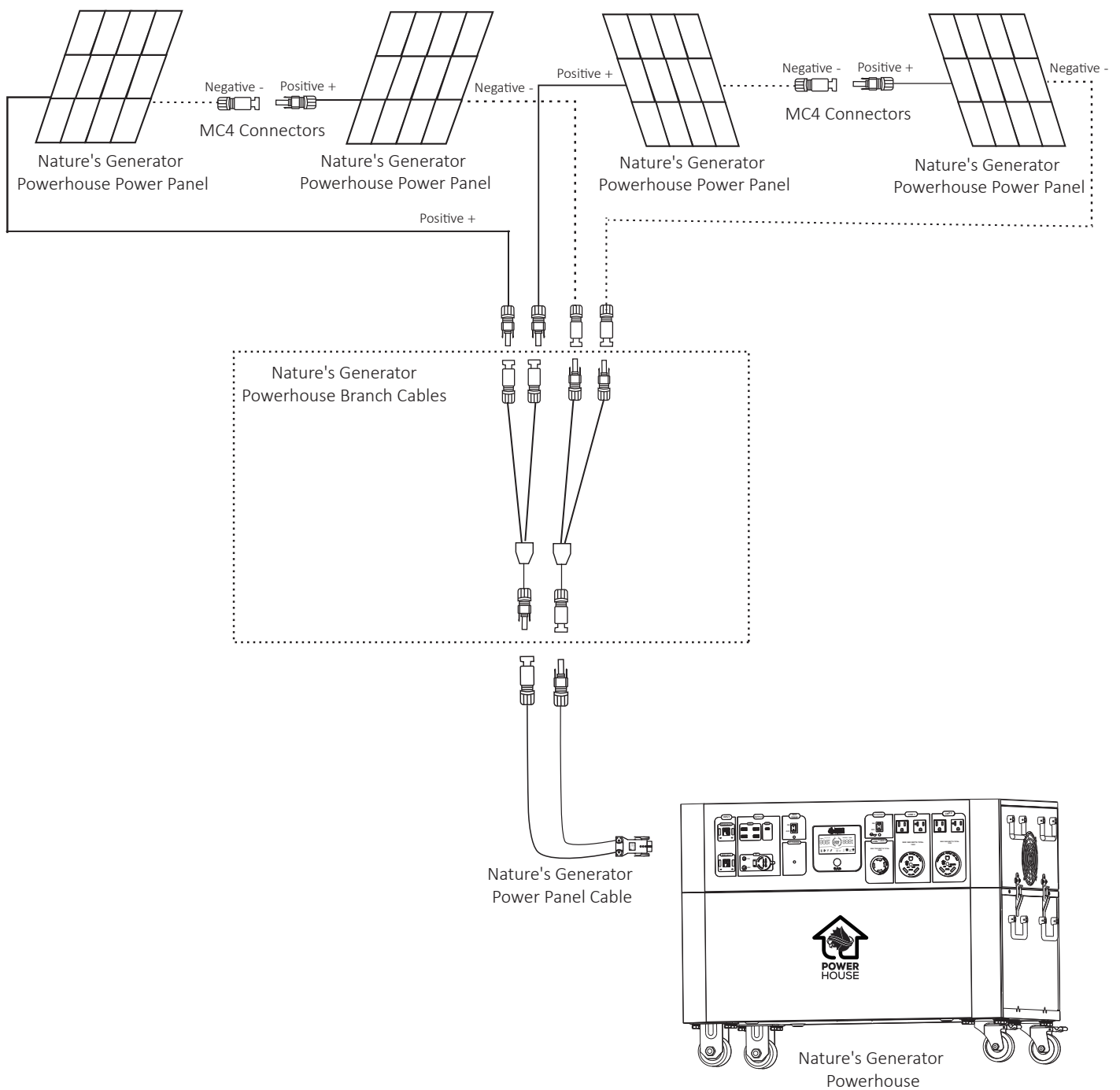
1. Place your Nature's Generator Powerhouse Power Panels where they will get as much direct sunlight as possible. While direct sunlight is always preferred, the power panels will also send a small amount of charge to your Powerhouse during hazy or overcast sky conditions.
2. Connect two Nature's Generator Powerhouse Power Panels in series.



3. Connect the MC4 connectors of your Power Panel Cable to the remaining MC4 connectors on the Nature's Generator Powerhouse Power Panels. Minimum two serial connected Nature's Generator Powerhouse Power Panels are needed to recharge Nature's Generator Powerhouse.



4. Insert Power Panel Cable plug into Solar Input port on the front of your Nature's Generator Powerhouse. You will know it is recharging when LCD display lights up, solar panel icon is illuminated, and battery bar starts running. The battery bar will stop running when the battery is full or there is not enough power from Nature's Generator Powerhouse Power Panels.
5. It usually takes about 8 to 15 hours to recharge the Nature's Generator Powerhouse if using two Nature's Generator Powerhouse Power Panels. The recharging time, of course, also depends on the temperature and the strength of the sunlight.
6. To increase the recharging speed, you can connect the two serial connected Nature's Generator Powerhouse Power Panels in parallel connection. The Solar Input port can handle up to 2000 watts of solar power. Visit [Naturesgenerator.com](http://Naturesgenerator.com) for more information about Nature's Generator Powerhouse Power Panels



### ***Recharging from the Nature's Generator Powerhouse Wind Turbine (sold separately):***

1. Place your Nature's Generator Powerhouse Wind Turbine where it will get sufficient wind.
2. Follow the manual of Nature's Generator Powerhouse Wind Turbine to set up the wind turbine.
3. Insert the wind turbine cable connector into Wind Input port on the front of your Nature's Generator Powerhouse. You will know it is recharging when LCD display lights up, wind turbine icon is illuminated, and battery bar starts running. The battery bar will stop running when the battery is full or there is not enough power from wind turbine. The recharging speed depends on the strength of the wind.
4. To increase the recharging speed, connect another Nature's Generator Powerhouse Wind Turbine by the dual charger controller. The Wind Input port can handle up to 1000 watts of wind power. Visit [Naturesgenerator.com](http://Naturesgenerator.com) for more information about Nature's Generator Powerhouse Wind Turbine.

### ***Recharging from AC Power***

1. Insert the power cord to the AC Input Port on the back of the Nature's Generator Powerhouse.
2. Plug the other end of the power cord into the wall outlet. You will know it is recharging when LCD on the front of Nature's Generator Powerhouse display lights up, AC input icon is illuminated on the LCD display and battery bar starts running. The battery bar stops running when the battery is full and the AC Input light changes from red to green. Nature's Generator Powerhouse AC Output will shutdown automatically when it is be recharging from AC power.

### ***How to Use Your Nature's Generator Powerhouse***

1. Press the Main Power Switch to turn on your Nature's Generator Powerhouse. DC and USB ports will be on automatically when the Main Power Switch is on.
2. Press the AC Output Switch to turn on the AC outlets. When not using the AC outlets, make sure to turn off AC Output Switch to conserve power.
3. Plug in your devices for power.

### ***How to Expand the Capacity of Your Nature's Generator Powerhouse***

You can extend the run time of your Nature's Generator Powerhouse by connecting it to the Nature's Generator Powerhouse Power Pod (sold separately). Visit [naturesgenerator.com](http://naturesgenerator.com) to purchase Nature's Generator Powerhouse Power Pod.

1. Locate the expansion cable on Nature's Generator Powerhouse Power Pod and run the expansion cable to the back of the Nature's Generator Powerhouse.
2. Locate Expansion In Port on the back of your Nature's Generator Powerhouse and open the cover.
3. Connect the expansion cable to the Expansion In port.
4. The Expansion (Chain Link) Icon will be illuminated on the LCD display to indicate it is connected. You will experience an increased run time of 100% by adding one Nature's Generator Powerhouse Power Pod, 200% by adding two Nature's Generator Powerhouse Power Pods and 300% by adding three Nature's Generator Powerhouse Power Pods.

## ***How to Maintain and Store Your Nature's Generator Powerhouse***

Turn off the main switch and AC switch when your Nature's Generator Powerhouse is not in use. Recharge your Nature's Generator Powerhouse once every four months and store it in a ventilated, cool and dry location. This keeps the battery healthy and prolongs its life. Failure to maintain Nature's Generator Powerhouse by these steps can result in battery damage which will void the product warranty.

Clean your Nature's Generator Powerhouse with a soft, lint-free cloth. If your Nature's Generator Powerhouse is very dirty, moisten a soft, lint-free cloth in a weak detergent solution, squeeze the excess moisture from the cloth, then wipe Nature's Generator Powerhouse with the cloth, followed by a clean dry cloth to wipe down your Nature's Generator Powerhouse.

## ***Troubleshooting***

### ***My Nature's Generator Powerhouse won't charge when I connect my solar panel to it.***

Please follow these steps.

1. Make sure the solar panels are pointed directly towards the sun. The most efficient power generating position is with solar panels facing south. . The solar panels may produce little or no power if they are positioned in the shade.
2. Check the cable connection on your Nature's Generator Powerhouse and make sure it is properly connected.
3. If the LCD lights up but the battery bar is not running, it means the solar panels do not have high enough voltage to recharge the Nature's Generator Powerhouse or the Nature's Generator Powerhouse has been fully recharged by the solar panels.

### ***My Nature's Generator Powerhouse Power Pod won't charge when I connect my wind turbine to it.***

Please follow these steps.

1. If you are not using Nature's Generator Powerhouse Wind Turbine, make sure the wind turbine has similar characteristics.
2. Make sure there is sufficient wind that spins the wind turbine fast enough. The wind turbine must spin fast enough to generate higher voltage than Nature's Generator Powerhouse Power Pod before the wind turbine can charge Nature's Generator Powerhouse Power Pod.
3. Check the cable connection on your Nature's Generator Powerhouse Power Pod and make sure it is properly connected.
4. If battery level LEDs light up, but are not running, it means the wind turbine does not have high enough voltage to recharge the Nature's Generator Powerhouse Power Pod.

***My AC device(s) are not powering up from my Nature's Generator Powerhouse.***

Please follow these steps:

1. Verify your device is suitable for use with your Nature's Generator Powerhouse. The Nature's Generator Powerhouse Line 1 and 2 outlet works only with 240V AC 30A maximum. (7200 watts). Line 1 or Line 2 outlets work only with 120V AC 30A maximum (3600 watts). Some devices might require grounding before they can be used. Ground Nature's Generator Powerhouse before power this type of devices.
2. Make sure the Main Power Switch is turned on.
3. Check the battery bar. If there are four bars or less, recharge your Nature's Generator Powerhouse. Some AC device draws large amounts of power when starting up. It is recommended to recharge your Nature's Generator Powerhouse full before heavy use.
4. Make sure the AC Output Switch is turned on. The AC outlet light should be green.
5. If LED light is red, please check FUSE icon, Protection icon and protection code(s) on the LCD display.

***My Nature's Generator Powerhouse battery drains fast.***

Please follow these steps.

1. Check the wattage of your AC device(s). Some devices like a hair dryer, microwave or vacuum draw large amounts of power and thus the battery drains fast. Please always monitor the wattage output information on the LCD display.
2. When your AC device is not in use, turn off AC outlets of your Nature's Generator Powerhouse to conserve power. The AC outlets consume a considerable amount of power while being in standby mode.
3. When Nature's Generator is not in use, turn off the Main Power Switch to eliminate unnecessary battery drainage by turning off the LCD display and USB ports.

## ***Technical Specifications***

### ***Battery:***

Type: AGM Sealed Lead Acid  
Capacity: 48V 100Ah (4800Wh)  
Self-discharge: Recommend to recharge every 4 months

### ***Inverter:***

Output Power: 7200 watt max  
Output voltage: 120V/240V Split Phase  
Output frequency: 60Hz  
Output Sine Wave: Pure sine wave  
Output Phase: Split phase

### ***Ports:***

USB Output: QC 3.0  
Type-C Output: PD3.0  
12V Socket: 10A max  
12V Port: 10A max  
48V Port: 5A max  
Expansion Port: 175A max

### ***Charges:***

AC Charger: 1300W  
AC Charger Indicator: red (charging) and green (charged)  
Solar Charger: 2000watt  
Wind Charger: 1000watt

### ***General:***

Dimensions: Power house : 28 x 18 x 19 inches (720\*466\*473mm)  
Power house (with wheels): 28 x 18 x 22 inches (720\*466\*568mm)  
Operating temperature: 32-104 °F (0-40 °C)  
Storage Temperature: 23–111 °F (-5–45 °C)  
Weight: 434 lbs (197 kg)



## ***Limited Warranty***

### ***One Year Limited Warranty***

Natures Generator Inc. warrants to you, the original purchaser of this new product, that the product shall be free of defects in the original manufacture of the material or workmanship for a period of one (1) year from the original date of your purchase of the product ("Warranty Period"). This product must be purchased from an authorized dealer and packaged with this warranty statement. This warranty does not cover refurbished product.

### ***What does this Warranty Cover?***

During the Warranty Period, if the original manufacture of the material or workmanship of the product is determined to be defective by an authorized dealer, Natures Generator Inc. will (at its sole option): (1) repair the product with new or rebuilt parts; or (2) replace the product at no charge with new or rebuilt comparable products or parts. Products and parts replaced under this warranty become the property of Nature's Generator and are not returned to you. If service of products or parts are required after the Warranty Period expires, you must pay all labor and parts charges. This warranty lasts as long as you own your product during the Warranty Period. Warranty coverage terminates if you sell or otherwise transfer the product.

### ***How to Obtain Warranty Service?***

Please call 1-800-975-7909 Monday through Friday, 9:00AM to 5:00PM PST. You will be provided with a Return Merchandise Authorization (RMA) number and return instructions. Send product to:

Nature's Generator Inc.  
3233 Mission Oaks Blvd., Suite N  
Camarillo, CA 93012

Please include the RMA number prominently displayed on the shipping box and include your name, phone number and address with the product inside the box.

### ***Where is the Warranty Valid?***

This warranty is valid only to the original purchaser of the product in North America (United States, Canada).

### ***What does the Warranty not Cover?***

This warranty does not cover:

- Cosmetic damage
- Damage due to force majeure, such as lightning strikes, fire, flood, etc..
- Accident
- Misuse
- Abuse
- Negligence
- Commercial use
- Modification of any part of the product
- Damage due to incorrect operation or maintenance
- Connection to an incorrect voltage supply
- Attempted repair by anyone other than a facility authorized by Natures Generator Inc. to service the product
- Products sold as is or with all faults
- Consumables, such as batteries
- Products where the factory applied serial number has been altered or removed

REPAIR REPLACEMENT AS PROVIDED UNDER THIS WARRANTY IS YOUR EXCLUSIVE REMEDY. NATURES GENERATOR INC. SHALL NOT BE LIABLE FOR ANY INCIDENTAL OR CONSEQUENTIAL DAMAGES FOR THE BREACH OF ANY EXPRESS OR IMPLIED WARRANTY ON THIS PRODUCT, INCLUDING, BUT NOT LIMITED TO LOST DATA, LOSS OF USE OF YOUR PRODUCT, LOST BUSINESS OR LOST PROFITS. NATURES GENERATOR INC. PRODUCTS MAKES NO OTHER EXPRESS WARRANTIES WITH RESPECT TO THE PRODUCT, ALL EXPRESS AND IMPLIED WARRANTIES FOR THE PRODUCT, INCLUDING, BUT NOT LIMITED TO, ANY IMPLIED WARRANTIES OF AND CONDITIONS OF MERCHANTABILITY AND FITNESS FOR A PARTICULAR PURPOSE, ARE LIMITED IN DURATION TO THE WARRANTY PERIOD SET FORTH ABOVE AND NO WARRANTIES, WHETHER EXPRESS OR IMPLIED, WILL APPLY AFTER THE WARRANTY PERIOD. SOME STATES, PROVINCES AND JURISDICTIONS DO NOT ALLOW LIMITATIONS ON HOW LONG AN IMPLIED WARRANTY LASTS, SO THE ABOVE LIMITATION MAY NOT APPLY TO YOU. THIS WARRANTY GIVES YOU SPECIFIC LEGAL RIGHTS, AND YOU MAY ALSO HAVE OTHER RIGHTS, WHICH VARY FROM STATE TO STATE OR PROVINCE TO PROVINCE.

Contact Natures Generator Inc:

For customer service please call 1-800-975-7909

Natures Generator Inc.

3233 Mission Oaks Blvd., Suite N

Camarillo, CA 93012

