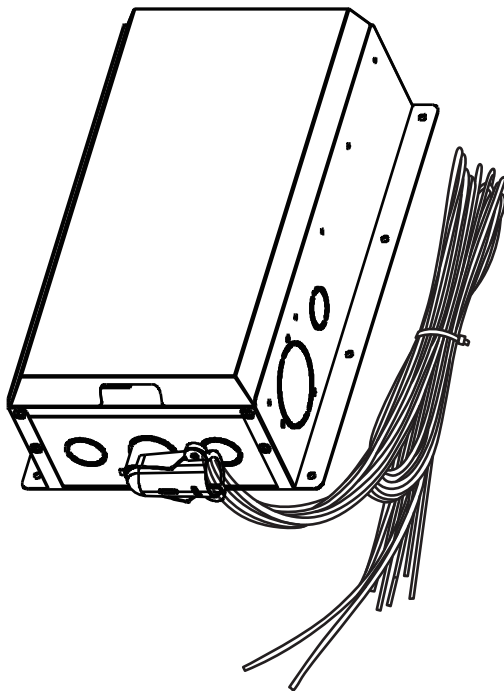


Nature's Generator Power Transfer Kit User Manual

Standard and Elite Models



Contents

Welcome	1
Warning	1
Upgrade Circuit Breakers.....	1
Unpack Your Power Transfer Kit.....	2
Install Your Power Transfer Kit	3
Connect Your Power Transfer Switch to Generator.....	8
Use Your Power Transfer Switch.....	9
FAQ	10
Specifications	11
Limited Warranty	12

Welcome

Congratulations on the purchase of your new Nature's Generator Power Transfer Kit, a state-of-art power transfer kit that links your generator to the existing power circuits in your home's load center.

Please read the instructions below thoroughly prior to any use, then store this manual in a safe place for future reference.

If at any time you have questions about this product, or if you require additional assistance, please do not hesitate to contact our Customer Support line at 800-975-7909 or email us at support@naturesgenerator.com

Warning!

THE POWER TRANSFER KIT MUST BE INSTALLED BY A QUALIFIED ELECTRICIAN IN COMPLIANCE WITH ALL APPLICABLE ELECTRICAL CODES!

DO NOT CHARGE THE NATURE'S GENERATOR BY WALL THROUGH AC INPUT PORT WHEN USING THE POWER TRANSFER KIT. IT MIGHT TRIGGER PROTECTION.

PLEASE DO NOT CONNECT THE APPLIANCES THAT EXCEED THE CAPACITY OF THIS TRANSFER KIT.

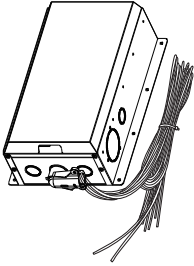
IF THE TRANSFER SWITCH IS CONNECTED TO AFCI OR GFCI BRANCH BREAKERS, THE AFCI OR GFCI PROTECTION WILL BE LOST WHEN THE ROCKER SWITCH IN THE TRANSFER SWITCH IS IN THE G POSITION.

Upgrade Circuit Breakers (for Elite model only)

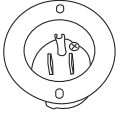
- This product is supplied with 15-amp circuit breakers as default. All circuit breaker positions can accommodate 15- or 20-amp circuit breakers. The positions 1 and 2 (only these positions) can accommodate 30-amp circuit breakers. To remove a circuit breaker, remove the compartment cover, unscrew the terminal screw in the breaker to be removed, removed the wire, tilt the top of the circuit breaker towards right and lift up and out. Reverse the procedure to install another breaker.
- Use 30-amp circuit breakers in positions 1 and 2 and use 20-amp circuit breakers in all other positions. Rating of a transfer switch circuit breaker should not exceed the rating of the corresponding branch circuit breaker in the load center.

Unpack your Power Transfer kit

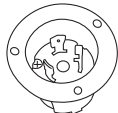
1. Power Transfer Switch



2. Inlet



For Standard Model



For Elite Model

3. Flexible Conduit



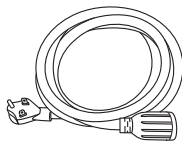
4. Cable Clamps



5. Power Cord:

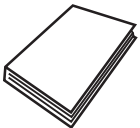


For Standard Model



For Elite Model

6. This User Manual

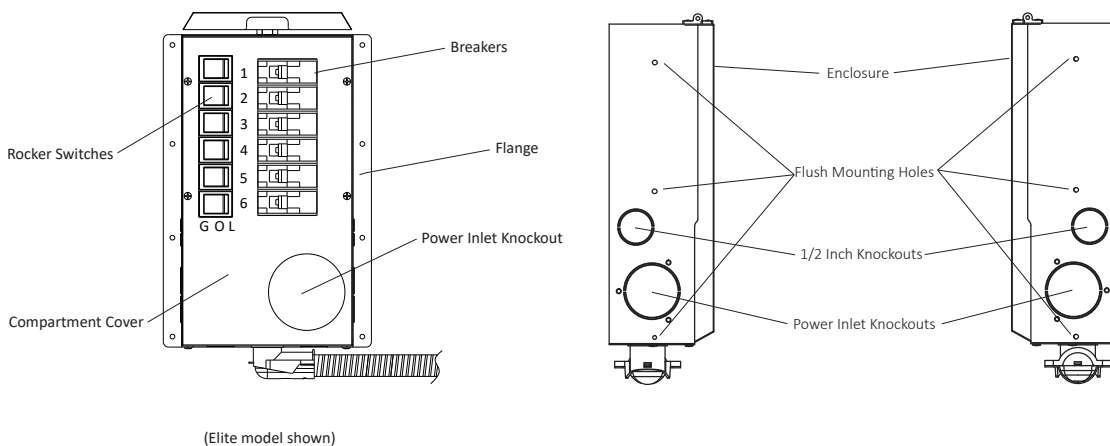


7. Mounting Template



Install Your Power Transfer Kit

Key Components of the Transfer Switch



Rocker Switches: These switches allow you to select either G (generator) or L (utility) as the power source for the branch circuits that have been wired through the transfer switch. The O (off) position removes branch circuit from both utility and generator power.

Breakers: Each transfer switch circuit has a 1-in interchangeable circuit breaker that protects the branch circuit when the rocker switch is in the G position. In the L position, each branch circuit is protected by the breaker in the load center.

Power Inlet Knockouts: The locations to install the power inlet. Once the power inlet is installed, the power cord is plugged into the inlet.

Compartment Cover: Remove to install power inlet.

Flanges: Mount the power transfer switch on the wall.

Enclosure: Powder coated steel.

Flush Mounting Holes: Work with flush mounting kit (sold separately) to install the power transfer switch into the wall.

1/2 Inch Knockouts: For hardwire installation.

Installation Instructions

Get the tools ready.

The following items (not included) will be needed for installation:

Power drill

Screwdriver

Wire cutters/Stripper

Anchors and screws

Wire connectors

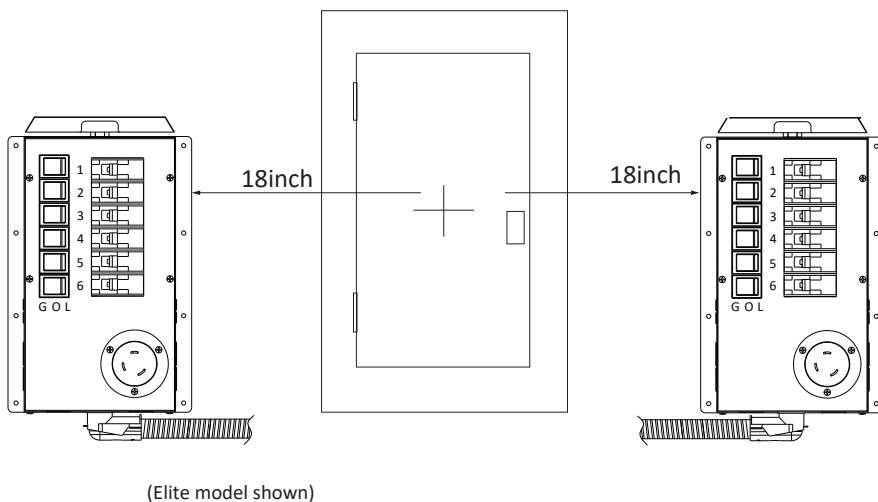
Install the power inlet.

1. There are three power inlet knockouts on the power transfer switch. Decide which knockout you are going to use to install the power inlet based on the locations of your load center and your power transfer switch and your preference for which direction you want your power cord to connect to. Remove that knockout.
2. Remove the six screws (4 screws on the top and 2 screws on the bottom) on the compartment cover and put the screws aside.
3. Lift the compartment cover.
4. Insert the power inlet through the power inlet knockout.
5. Connect black wire (hot) in the power transfer switch to the copper connector of the power inlet, connect the white wire in the power transfer switch to the silver connector of the power inlet and connect the green (ground) wire in the power transfer switch to the green connector of the power inlet.
6. Secure the power inlet to power transfer switch with the included screws.
7. Put back the compartment cover with the screws that were removed in step 2.

Mount the power transfer switch.

1. Locate your load center.
2. Decide the appropriate location to install the power transfer switch. Make sure it is within 18-inch range from your load center as figure 1 shows.
3. If you prefer to flush mount the power transfer switch, purchase the flush mount kit through www.naturesgenerator.com or 800-975-7909 before the installation.
4. Mount the power transfer switch by securing the screws to the wall through the holes on the flanges.
5. You may also use the included mounting template to cut a piece of plywood as the supporting board in between the power transfer switch and the wall for additional support.

Figure 1



Prepare the load center.

1. Turn off the main circuit breaker in the load center to ensure your safety.
2. Remove the cover of the load center.
3. Remove an 1 inch knockout on the near side of the load center towards the power transfer switch.
4. Cut the flexible conduit to the length you desire. Insert the wires from the power transfer switch through the flexible conduit and connect the other end of the flexible conduit to the knockout. Secure the flexible conduit with the cable clamps provided.
5. Do not attempt to bend the flexible conduit beyond its structural capabilities.



Warning: Verify the condition of power source prior to manually transferring. Manual operation may result in out-of-phase transfer when both sources are energized.

Warning: Do not start the generator until all connectors are connected or made to be inaccessible. Any terminal may be energized when any cable is connected. De-energize cables at the generator prior to connecting or removing any connectors.

Caution: This switch will not transfer if overcurrent device opens due to fault.

Caution: Manual Transfer Switch – This device will not automatically transfer to an alternative source.

Danger: Risk of electric shock.

Danger: Any Terminal may be energized when any cable is connected. De-energize cables at the generator prior to opening the cover.

Danger: Risk of electric shock. For use only for connection of a portable generator to the source terminals of a transfer switch, such that the inlets are only energized from the generator.

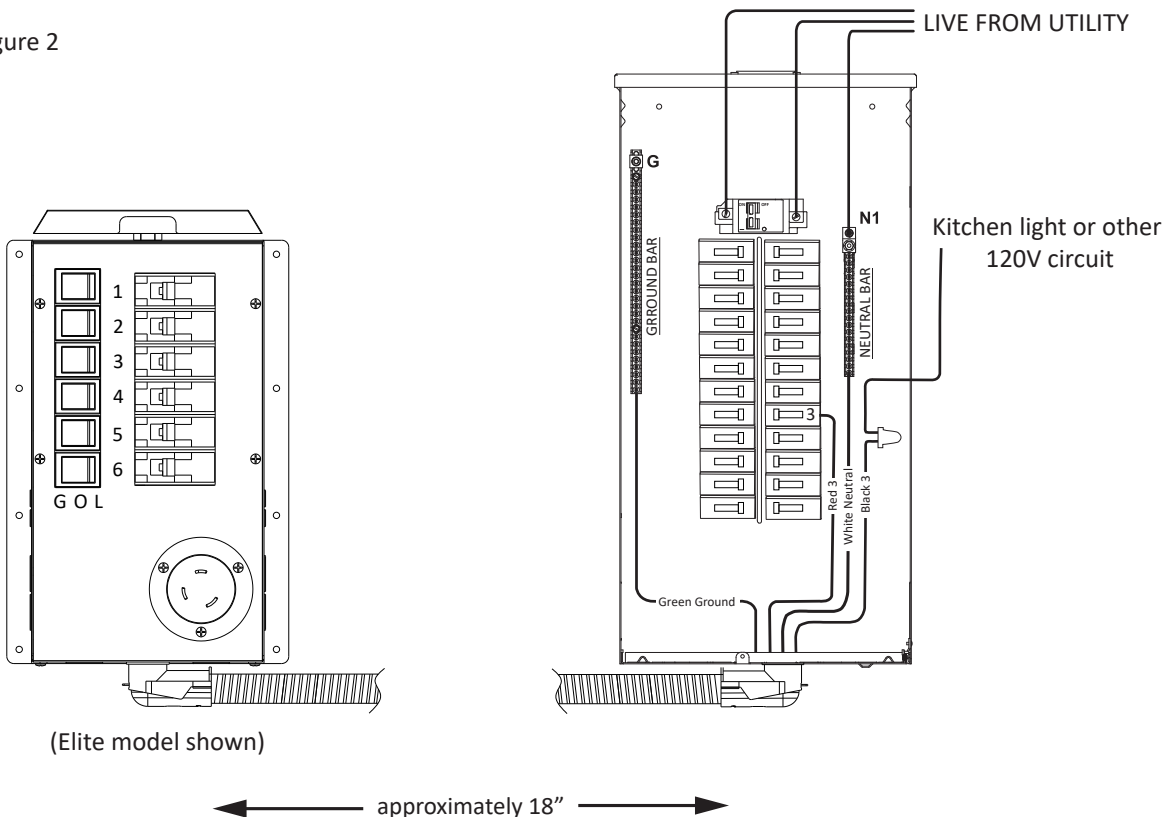
Installing Circuits

**THIS POWER TRANSFER KIT WORKS WITH 120V ONLY.
DO NOT SELECT THE LINE THAT MIGHT BE USED TO CHARGE THE GENERATOR.
DO NOT CHARGE THE GENERATOR BY AC INPUT WHILE USING POWER
TRANSFER SWITCH.**

Establish which lines will be the most critical to you in the time of a power outage. Let's assume that switch 3 will be designated to supply power to the kitchen lights.

1. Turn off the corresponding kitchen light circuit breaker. Undo the screw that secures the wire to the circuit breaker. Then disconnect the wire from the circuit breaker.
2. On the transfer switch, find the wires marked with the number 3, there should be one black and one red.
3. As figure 2 shows, feed the red 3 wire into the kitchen light breaker. Strip approximately 5/8" off from the end of the wire, connect the stripped red wire to the kitchen light circuit breaker and tighten the screw.
4. Cut the black 3 wire to a similar length for aligning with the wire removed from the kitchen light circuit breaker in step 1 above. Strip approximately 5/8" from the end of the black wire. Connect black 3 wire and the wire that was removed from the circuit breaker in step 1 by twisting a wire nut.
5. This completes the installation of the transfer switch for backup on your kitchen light. Repeat steps 1-6 for each of the remaining circuit.

Figure 2



Completing the Installation

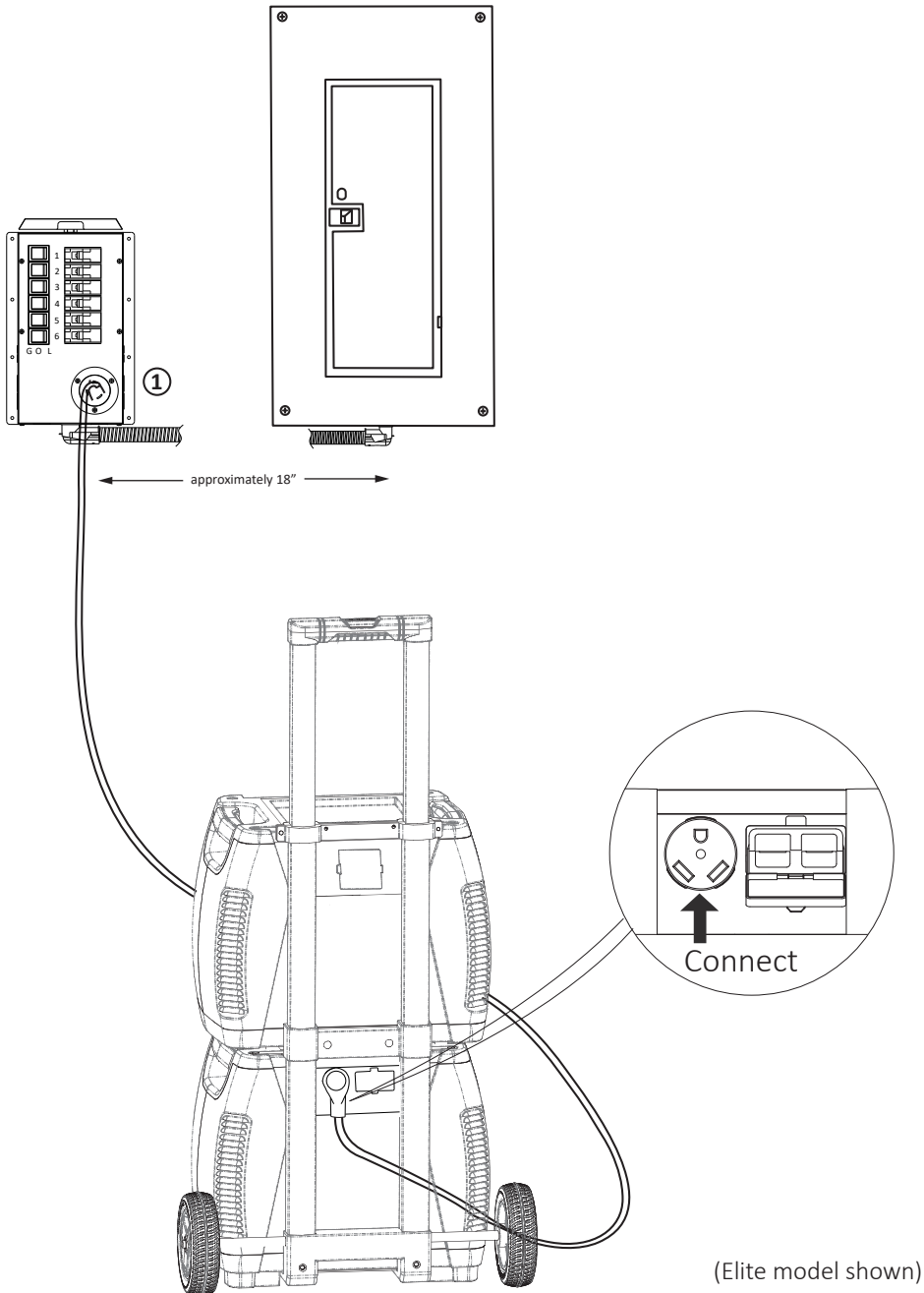
When you have wired all the load circuits in the transfer switch, only the white neutral wire and the green ground wire remain.

1. Insert the white neutral wire into an unused opening in the neutral bar in the load center and tighten the screw (Figure 2).
2. Insert the green ground wire into an unused opening in the ground bar, if existing, and tighten the screw. If no ground bar exists, insert the green wire into an unused hole in the neutral bar and tighten the screw.
3. Replace the cover to the load center.
4. Fill in the chart on the transfer switch to identify your emergency circuits and corresponding circuit numbers in the load center.
5. Return all load center branch circuit and main breakers to the "ON" position.
6. Move all rocker switches on the transfer switch to the "L" position. Installation is now complete.

Connect Your Power Transfer Switch to Generator

Once the Power Transfer Switch has been successfully installed, you can now connect your Power Transfer Switch to your Generator by using the included power cord. The steps below are using Nature's Generator Elite as an example.

1. Fit the female connector of the included power cord into the power inlet of your Power Transfer Switch. Turn the connector clockwise to secure the connection for Elite model.
2. Insert the male connector of the included power cord into the AC outlet on the generator.

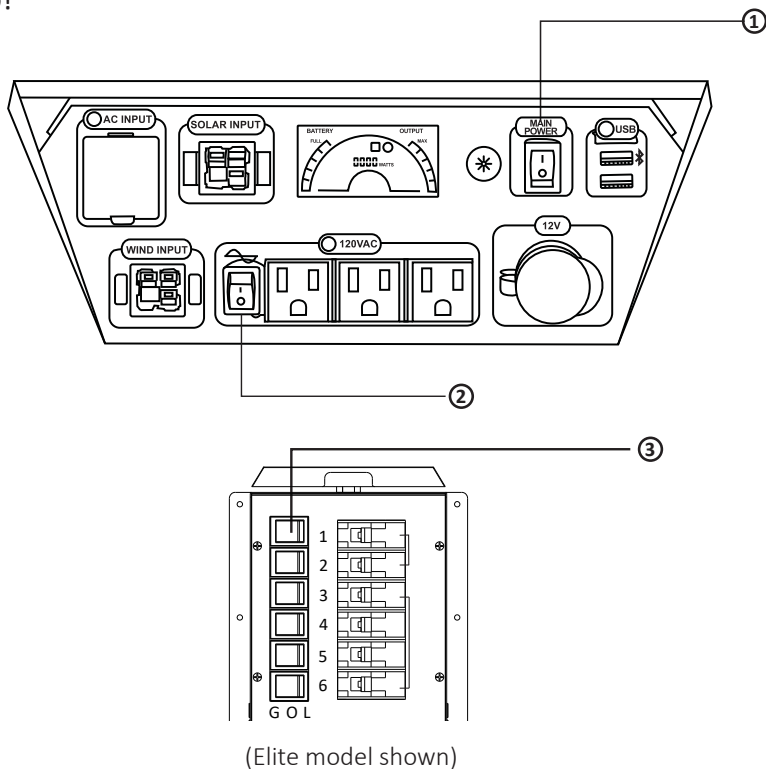


Use the Power Transfer Switch

Once you've connected the Power Transfer Switch to the Nature's Generator, now when there is no utility power, you are still able to power your most electrical items.

When you experience power loss simply follow these steps to continue powering your items:

1. Turn the Nature's Generator Main Power Switch to ON (The LCD screen will turn on).
2. Turn the Nature's Generator AC Switch to ON (The light above the AC outlets will turn green).
3. Select the rocker switches of the circuits that you want your Nature's Generator to power and move their positions from L to G. Rocker switches will light up and are ready to use.
4. Make sure the breakers in Power Transfer Switch are in ON position. You are now ready to go!



When your power is restored:

1. Move the position of the toggle switches from G to L.
2. Turn the Nature's Generator AC Switch to OFF (The green light above the AC outlets will turn off)
3. Turn the Nature's Generator Main Power Switch to OFF (The LCD screen will turn off)

FAQ

Where shall I install the Power Transfer Kit?

The conduit is approximately 18 inch long with the clamps. It is recommended to install it in a close area to your load center.

Can I use Power Transfer Kit and Nature's Generator to back up 240V?

Unfortunately, it only works on 120V. It is not compatible with 240V.

What happens when the utility power is restored?

When your utility power is restored, other lights and appliances on the circuits that are not connected to Power Transfer Switch will turn on. To transfer the circuits on the generator to utility power, flip the rocker switches back to the L position and shut down your Nature's Generator.

Will the surge damage my Nature's Generator when the utility power is restored?

No. The circuits that are connected to Power Transfer Switch are isolated from the utility power. There is no danger of back feeding the utility power.

What will I be able to power?

Runtimes with the Power Transfer Kit are dependent on the combined loading of connected circuits and the number of the Power Pods that are connected to the Nature's Generator.

Can I use it off the grid like in cabin or RV?

Yes. If it is always powered by your Nature's Generator, please keep the toggle switch on your Power Transfer Switch to GEN position.

Can the Power Transfer Kit recharge my Nature's Generator?

No. The Power Transfer Kit cannot recharge your Nature's Generator. Your Nature's Generator must be recharged through standard AC outlet, Nature's Generator Power Panel or Nature's Generator Wind Turbine.

Can the Power Transfer Kit work with other Generators?

Yes. It works with other battery powered generators. It can work with gasoline powered generator, but it will require an outdoor inlet to work with this power transfer kit.

Why is my load center triggered to shutdown when I charge my Nature's Generator?

It is possibly because you are charging your Nature's Generator while using the power transfer switch. Do not charge Nature's Generator from the load center that the power transfer switch backs up.

Specifications

Power Capacity:

Standard Model: 1800 watts

Elite Model: 3600 watts

Number of Circuits:

Standard Model: 4 circuits

Elite Model: 6 circuits

Voltage:

Standard Model: 120 volts

Elite Model: 120 volts

Conduit Length

Standard Model: 18 inches

Elite Model: 18 inches

Conduit Diameter

Standard Model: 1 inch

Elite Model: 1 inch

Dimensions

Standard Model: 9.1 inch x 13.7 inch x 3.9 inch (23.0 cm x 34.7 cm x 9.8 cm)

Elite Model: 9.1 inch x 13.7 inch x 3.9 inch (23.0 cm x 34.7 cm x 9.8 cm)

Weight:

Standard Model: 8.4 lbs (3.8 Kg)

Elite Model: 10.1 lbs (4.6 Kg)

Limited Warranty

One Year Limited Warranty

Natures Generator Inc. warrants to you, the original purchaser of this new product, that the product shall be free of defects in the original manufacture of the material or workmanship for a period of one (1) year from the original date of your purchase of the product (“Warranty Period”). This product must be purchased from an authorized dealer and packaged with this warranty statement. This warranty does not cover refurbished product.

What does this Warranty Cover?

During the Warranty Period, if the original manufacture of the material or workmanship of the product is determined to be defective by an authorized dealer, Natures Generator, Inc. will (at its sole option):

(1) repair the product with new or rebuilt parts;

or

(2) replace the product at no charge with new or rebuilt comparable products or parts.

Products and parts replaced under this warranty become the property of Nature's Generator and are not returned to you. If service of products or parts are required after the Warranty Period expires, you must pay all labor and parts charges. This warranty lasts as long as you own your product during the Warranty Period. Warranty coverage terminates if you sell or otherwise transfer the product.

How to Obtain Warranty Service?

Please call 1-800-975-7909 Monday through Friday, 9:00AM to 5:00PM PST. You will be provided with a Return Merchandise Authorization (RMA) number and return instructions.

Send product to:

Natures Generator Inc
3130 Paseo Mercado Suite 106
Oxnard, CA 93036

Please include the RMA number prominently displayed on the shipping box and include your name, phone number and address with the product inside the box.

Where is the Warranty Valid?

This warranty is valid only to the original purchaser of the product in United States.

What our Warranty does not Cover?

This warranty does not cover:

- Cosmetic damage
- Damage due to acts of God, such as lightning strikes
- Accident
- Misuse
- Abuse
- Negligence
- Commercial use
- Modification of any part of the product
- Damage due to incorrect operation or maintenance
- Connection to an incorrect voltage supply
- Attempted repair by anyone other than a facility authorized by Natures Generator, Inc. to service the product
- Products sold as is or with all faults
- Consumables, such as batteries
- Products where the factory applied serial number has been altered or removed

REPAIR REPLACEMENT AS PROVIDED UNDER THIS WARRANTY IS YOUR EXCLUSIVE REMEDY. NATURES GENERATOR INC. SHALL NOT BE LIABLE FOR ANY INCIDENTAL OR CONSEQUENTIAL DAMAGES FOR THE BREACH OF ANY EXPRESS OR IMPLIED WARRANTY ON THIS PRODUCT, INCLUDING, BUT NOT LIMITED TO LOST DATA, LOSS OF USE OF YOUR PRODUCT, LOST BUSINESS OR LOST PROFITS. NATURES GENERATOR, INC. PRODUCTS MAKES NO OTHER EXPRESS WARRANTIES WITH RESPECT TO THE PRODUCT, ALL EXPRESS AND IMPLIED WARRANTIES FOR THE PRODUCT, INCLUDING, BUT NOT LIMITED TO, ANY IMPLIED WARRANTIES OF AND CONDITIONS OF MERCHANTABILITY AND FITNESS FOR A PARTICULAR PURPOSE, ARE LIMITED IN DURATION TO THE WARRANTY PERIOD SET FORTH ABOVE AND NO WARRANTIES, WHETHER EXPRESS OR IMPLIED, WILL APPLY AFTER THE WARRANTY PERIOD. SOME STATES, PROVINCES AND JURISDICTIONS DO NOT ALLOW LIMITATIONS ON HOW LONG AN IMPLIED WARRANTY LASTS, SO THE ABOVE LIMITATION MAY NOT APPLY TO YOU. THIS WARRANTY GIVES YOU SPECIFIC LEGAL RIGHTS, AND YOU MAY ALSO HAVE OTHER RIGHTS, WHICH VARY FROM STATE TO STATE OR PROVINCE TO PROVINCE.

Natures Generator Inc:

3130 Paseo Mercado Suite 106

Oxnard, CA 93036

For customer service please call 1-800-975-7909

