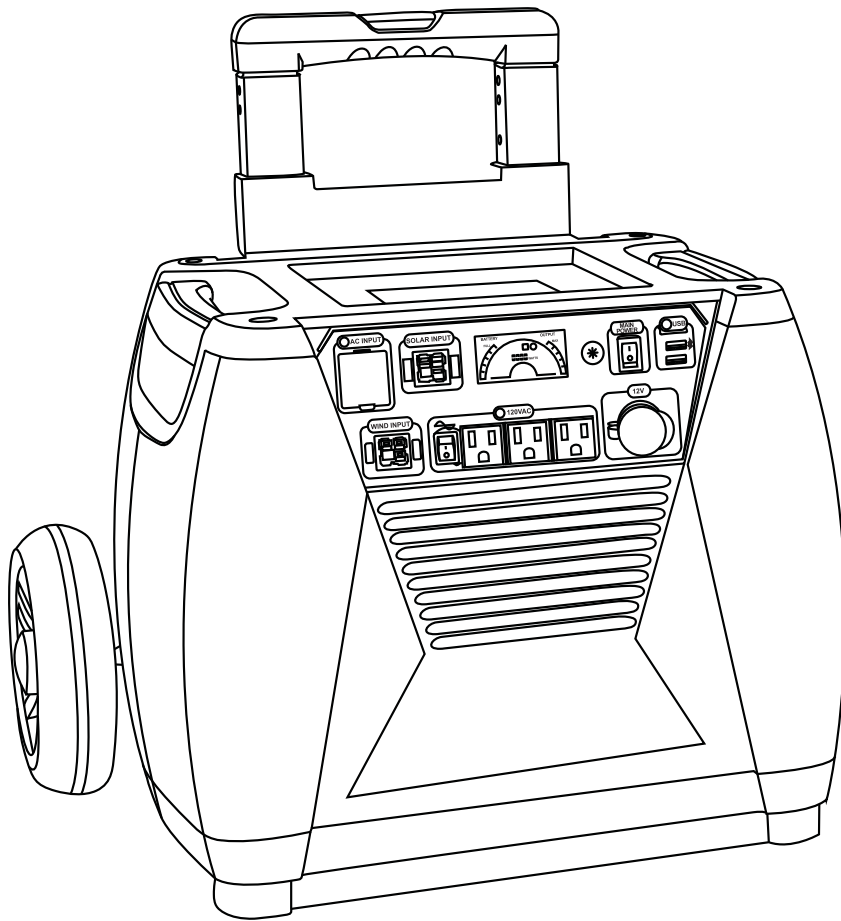


# Nature's Generator Elite

## User Manual



# Nature's Generator Elite

## Contents

Important Safety Instructions .....	1
- Warning .....	1
- Caution .....	2
Introduction .....	3
- Unpack Your Nature's Generator Elite .....	3
- Get to Know Your Nature's Generator Elite .....	4
Using Your Nature's Generator Elite .....	6
- How to Recharge Your Nature's Generator Elite .....	6
- How to Use Your Nature's Generator Elite .....	7
- How to Read the LCD Display .....	8
- How to Expand the Capacity of Your Nature's Generator Elite .....	9
- How to Maintain and Store Your Nature's Generator Elite .....	9
- How to Install the Cart to Your Nature's Generator Elite .....	10
Troubleshooting .....	16
Technical Specifications .....	17
Limited Warranty .....	18

## ***Important Safety Instructions***

1. Read these instructions.
2. Keep these instructions.
3. Take care of all warnings.
4. Follow all instructions.
5. Do not use this apparatus near water.
6. Do not block any ventilation openings.
7. Do not use near flammable gases or fumes or other apparatus that produce a large amount of heat.
8. Only use attachments/accessories approved by the manufacturer.
9. Use only with the cart approved by the manufacturer, or sold with the equipment. When a cart is used, use caution when moving the cart/apparatus combination to avoid injury from tip-over.
10. Refer all servicing to qualified service personnel. Servicing is required when the equipment has been damaged in any way, such as power-supply cord or plug is damaged, liquid has been spilled or objects have fallen into the equipment, the equipment has been exposed to rain or moisture, does not operate normally, or has been dropped.
11. The equipment should not be exposed to dripping or splashing, and no objects filled with liquids, such as vases, should be placed on the equipment.

## ***Warning***

### ***Electric Shock Hazard***

Keep away from children. Nature's Generator Elite generates the same potentially lethal AC power as a normal household wall outlet. To reduce the risk of fire or electric shock, do not remove any cover or expose the device to rain or moisture. Do not insert foreign objects into the AC Outlet or the ventilation holes.

### ***Explosion Hazard***

Do not burn or incinerate this item. This item may explode, causing personal injury or damage. Do not use near flammable gases or fumes or other apparatus that produces large amounts of heat.

### ***Lightning Hazard***

For added protection for your device during a lightning storm, unplug it from the power outlet and disconnect the cables. This helps to prevent property damage and personal injury from lightning and power line surges.

### ***Energy and Burn Hazard***

Nature's Generator Elite has a sealed lead acid battery, which can present a risk of burn from high current because of short-circuit.

### ***Replacement Parts***

When replacement parts are required, make sure that the service technician uses replacement parts specified by the manufacturer that have the same characteristics as the original part. Unauthorized substitutions may result in fire, electric shock, personal injury, or other hazards.

### ***Safety Check***

After completing any service or repair to this device, ask the service technician to perform routine safety checks to determine that your Nature's Generator Elite is in correct operating condition.

### ***Servicing***

These servicing instructions are for use by qualified service personnel only. To reduce the risk of electric shock, do not perform any servicing other than that contained in the operating instructions unless you are qualified to do so.

### ***Caution***

#### ***Damage Requiring Service***

Stop using the Nature's Generator Elite and refer servicing to qualified service personnel under the following conditions:

- If liquid has been spilled or objects have fallen into your Nature's Generator Elite.
- If your Nature's Generator Elite has been exposed to rain or water.
- If your Nature's Generator Elite has been dropped or damaged in any way.
- When your Nature's Generator Elite exhibits a distinct change in performance.

### ***Cold Weather***

Cold temperatures can impact Nature's Generator Elite performance. If you are in area that will be consistency below freezing, we recommend keeping your Nature's Generator Elite in an insulated location and connected to a solar panel.

### ***Recycling and Disposal***

Your Nature's Generator Elite may contain materials that are regulated for environmental reasons. Your Nature's Generator Elite also contains materials that can be recycled and reused. To help protect the environment, contact your local authorities for information about disposal or recycling and about finding a recycler in your area before you dispose of your Nature's Generator Elite.

## ***Introduction***

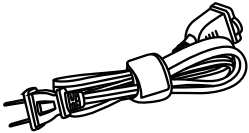
Congratulations on your new Nature's Generator Elite, a state-of-art generator that provides reliable power for emergencies, off grid living, or wherever power is needed.

## ***Unpacking Your Nature's Generator Elite***

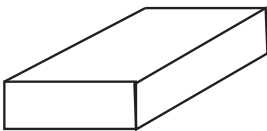
### 1. Nature's Generator Elite



### 2. AC Power Cord



### 3. Cart Box

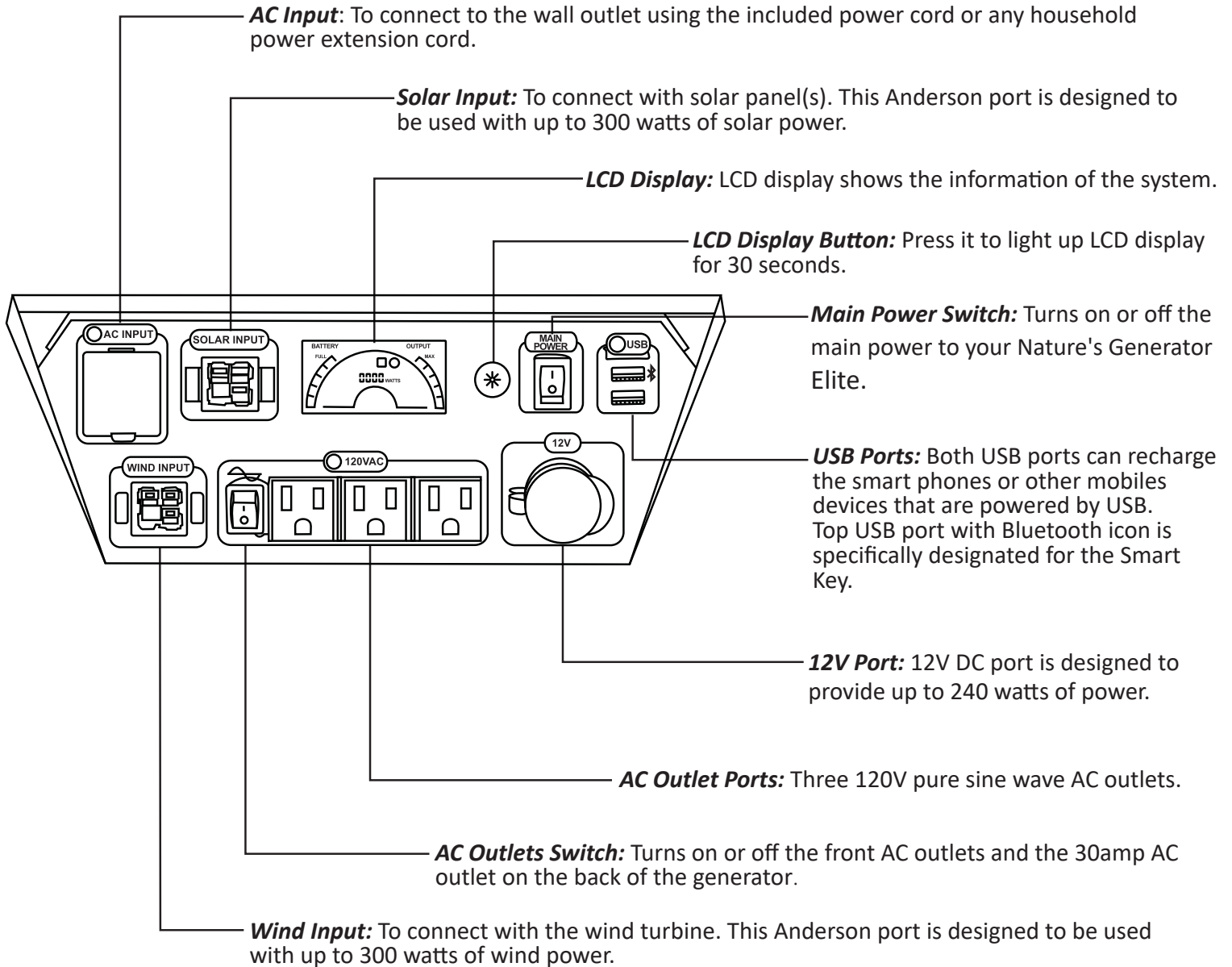


### 4. This User Guide

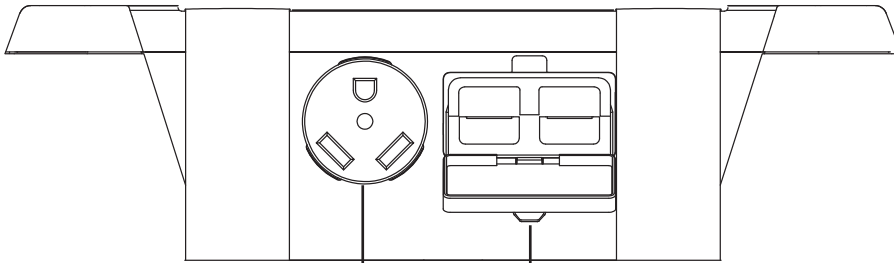


# Get to Know Your Nature's Generator Elite

## Front Panel



**Back Panel**



**Expansion cord:**

Daisy chaining fuses and daisy chain connector. For use with Nature's Generator Power Pod Elite.

**30amp AC Outlet Port:**

One 120V 30amp pure sine wave AC outlet.

## ***Using Your Nature's Generator Elite***

### ***How to Recharge Your Nature's Generator Elite***

#### ***Recharging from Solar Panels***

1. Place your solar panel where it will get as much direct sunlight as possible. While direct sunlight is always preferred, solar panels should be connected at all times to provide a consistent trickle charge to your battery. Solar panels will also send a charge to your unit while in hazy or overcast skies.
2. Insert solar panel plug into Solar Input port on the front of your Nature's Generator Elite. You will know it is recharging when LCD display lights up, solar panel icon is illuminated and battery bar starts to register. The battery bar will stop registering when the battery on the LCD display is full or there is not enough power from solar panel.
3. It takes about 15 to 20 hours to recharge Nature's Generator Elite if using one 100 watt solar panel, and also depends on the the strength of the sunlight.
4. To increase the recharging speed, you can daisy chain multiple solar panels in parallel connection. The Solar Input port can handle up to 300 watts of solar power. In other words, three 100 watt solar panels can be chained in parallel before connecting to the Solar Input port. Visit [Naturesgenerator.com](http://Naturesgenerator.com) for more information about the solar panel.

#### ***Recharging from the Wind Turbine***

1. Place your wind turbine where it will get as much wind as possible.
2. Insert wind turbine plug into Wind Input port on the front of your Nature's Generator Elite. You will know it is recharging when LCD display lights up, wind turbine icon is illuminated and battery bar starts to register. The battery bar will stop registering when the battery on the LCD display is full or there is not enough power from wind turbine.
3. The recharging speed depends on the wind turbine power rating and the strength of the wind. The Wind Input port can handle up to 300 watts of wind power. Visit [Naturesgenerator.com](http://Naturesgenerator.com) for more information about the wind turbine.

#### ***Recharging from AC Power***

1. Insert the power cord to the AC Input Port on the front of the Nature's Generator Elite.
2. Plug the other end of the power cord into the wall outlet. You will know it is recharging when LCD display lights up, AC input icon is illuminated on the LCD display and battery bar starts registering. The battery bar stops registering when the the battery is full and the AC Input light changes from red to green.



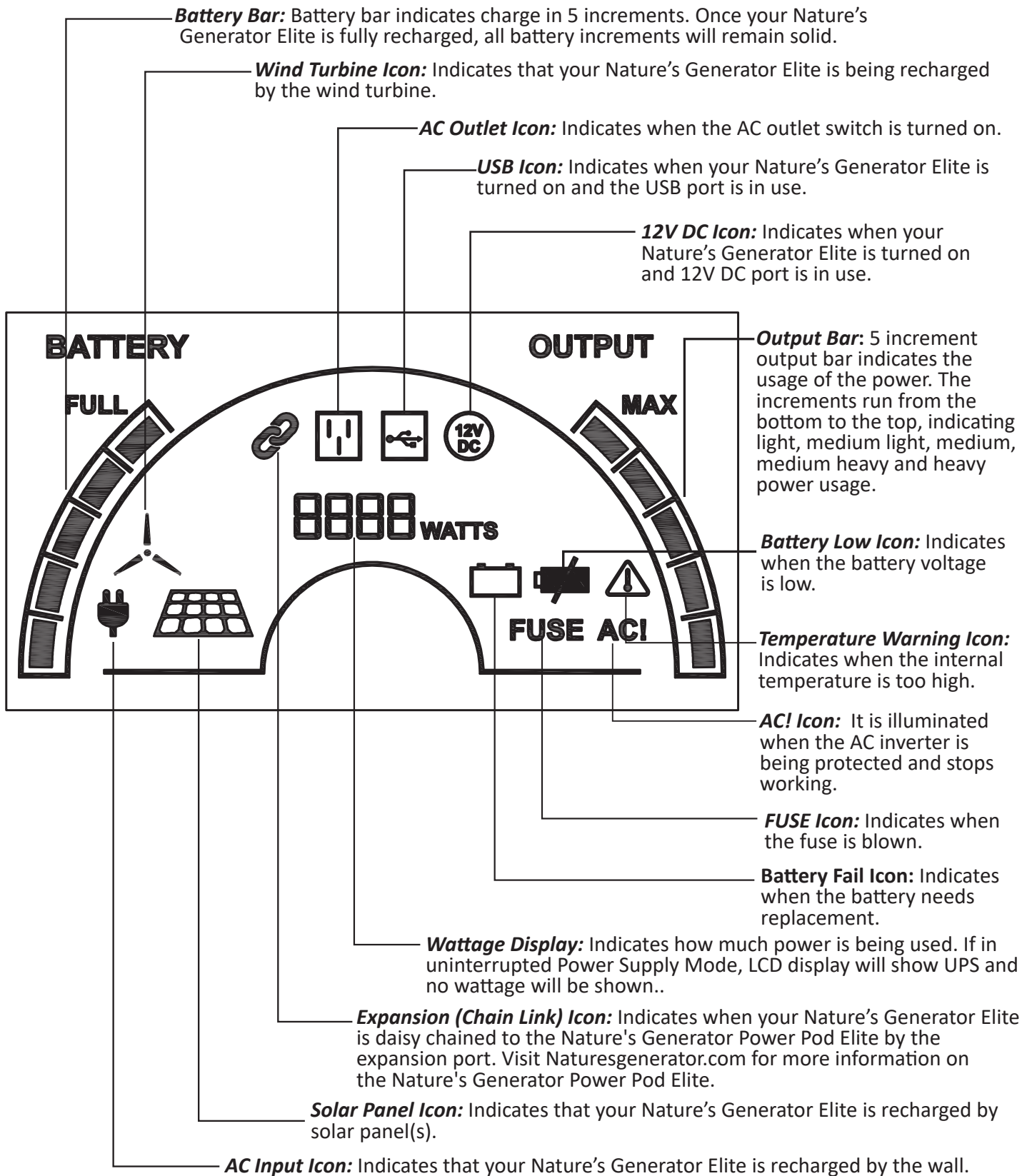
## ***How to Use Your Nature's Generator Elite***

1. Press the Main Power Switch to turn on your Nature's Generator Elite. USB ports will be on automatically when the Main Power Switch is on.
2. Press the AC Outlet Switch to turn on the AC outlets and 30 amp outlet. When not using the AC outlets, make sure to turn off AC outlet switch to conserve power.
3. You'll know when the port is turned on when the icon is illuminated on the LCD display.
4. Plug in any of your devices for power.

## ***Uninterrupted Power Supply (UPS) Mode***

1. You can recharge your Nature's Generator Elite and recharge your devices at the same time.
2. If you recharge your Nature's Generator Elite at the same time when you power your AC devices from the AC Outlet Ports, your Nature's Generator Elite turns into an Uninterrupted Power Supply. Your AC devices will receive power directly from the AC outlet. If power goes out, your Nature's Generator Elite will already be running and ready to supply power to your connected AC devices.
3. LCD display shows UPS when it is in UPS mode.

## How to Read the LCD Display



## ***How to Expand the Capacity of Your Nature's Generator Elite***

You can extend the run time of your Nature's Generator Elite by connecting it to the Nature's Generator Power Pod Elite. Visit [naturesgenerator.com](http://naturesgenerator.com) to purchase a Nature's Generator Power Pod Elite.

1. Open the top cover of the Nature's Generator Power Pod Elite, locate the expansion cable, and run the expansion cable out of Nature's Generator Power Pod Elite through the opening on the back of the Nature's Generator Power Pod Elite.
2. Locate Expansion Port on the back of your Nature's Generator Elite and open the rubber cover.
3. Connect the expansion cable to the expansion port.
4. The Expansion (Chain Link) Icon will be illuminated on the LCD display to indicate it is connected.

You will experience an increased run time of 100% by adding one Nature's Generator Power Pod Elite, 200% by adding two Nature's Generator Power Pod Elites and 300% by adding three Nature's Generator Power Pod Elites.

## ***How to Maintain and Store Your Nature's Generator Elite***

Please recharge your Nature's Generator Elite once every four months and store in a ventilated, cool and dry location. If possible, please connect your Nature's Generator Elite to a power source, like the wall outlet, solar panel or wind turbine while in storage to top off the battery voltage. This keeps the battery healthy and prolongs its life. Failure to maintain Nature's Generator Elite by these steps can result in battery damage which will void the product warranty.

Please clean your Nature's Generator Elite with a soft, lint-free cloth. If your Nature's Generator Elite is especially dirty, moisten a soft, lint-free cloth in a weak detergent solution, squeeze the excess moisture from the cloth, then wipe the cabinet with the cloth. Use a clean cloth to dry your Nature's Generator Elite.

## How to Install the Cart to Your Nature's Generator Elite

What are included:

### Tools



Socket Wrench × 2pcs



10mm Wrench × 1pc

### Cart Parts



Spacer × 2pcs



M6 30mm Bolt and Nut × 2pcs



M6 100mm Bolt × 2pcs



Locknut × 2pcs



Axle Bushing × 2pcs



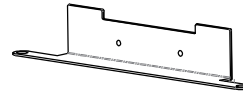
Axle Shaft



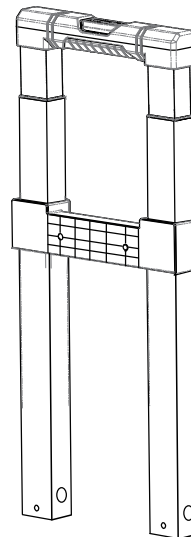
Wheel × 2pcs



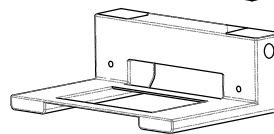
Hub Cap × 2pcs



Generator Bracket

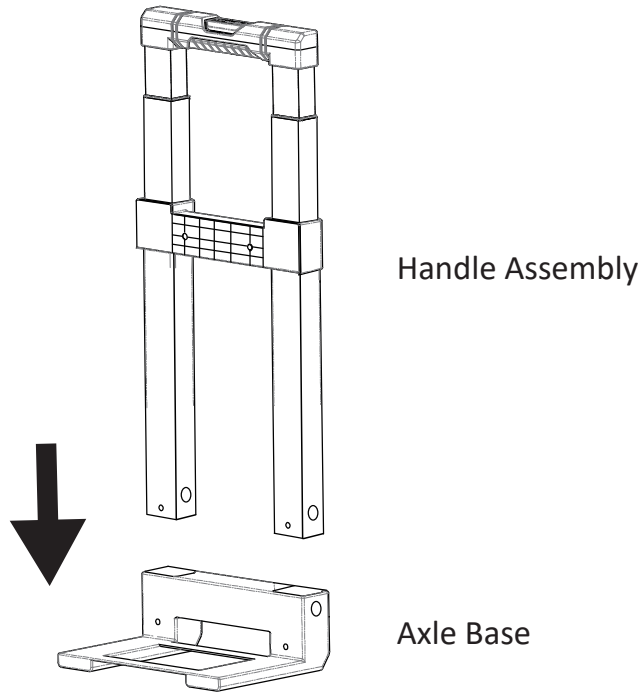


Handle Assembly

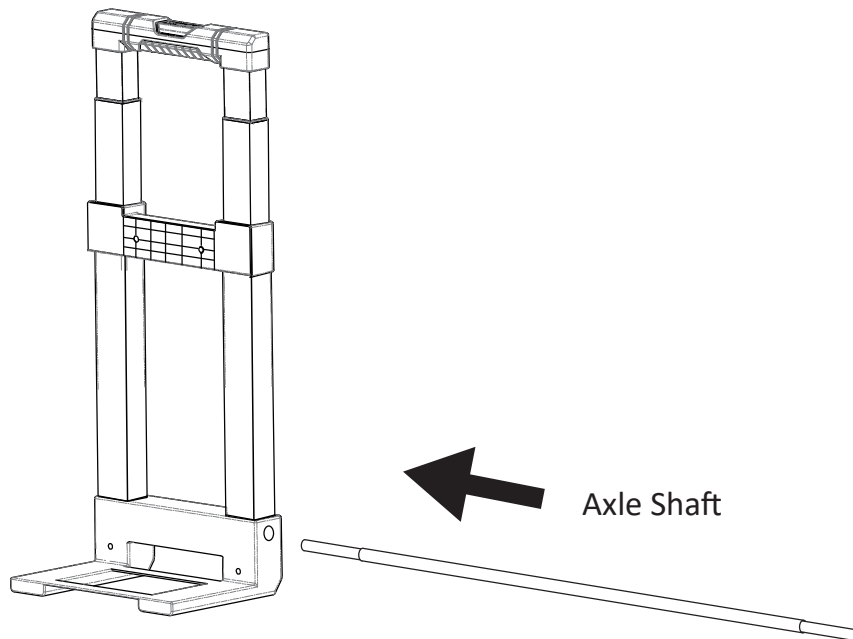


Axle Base

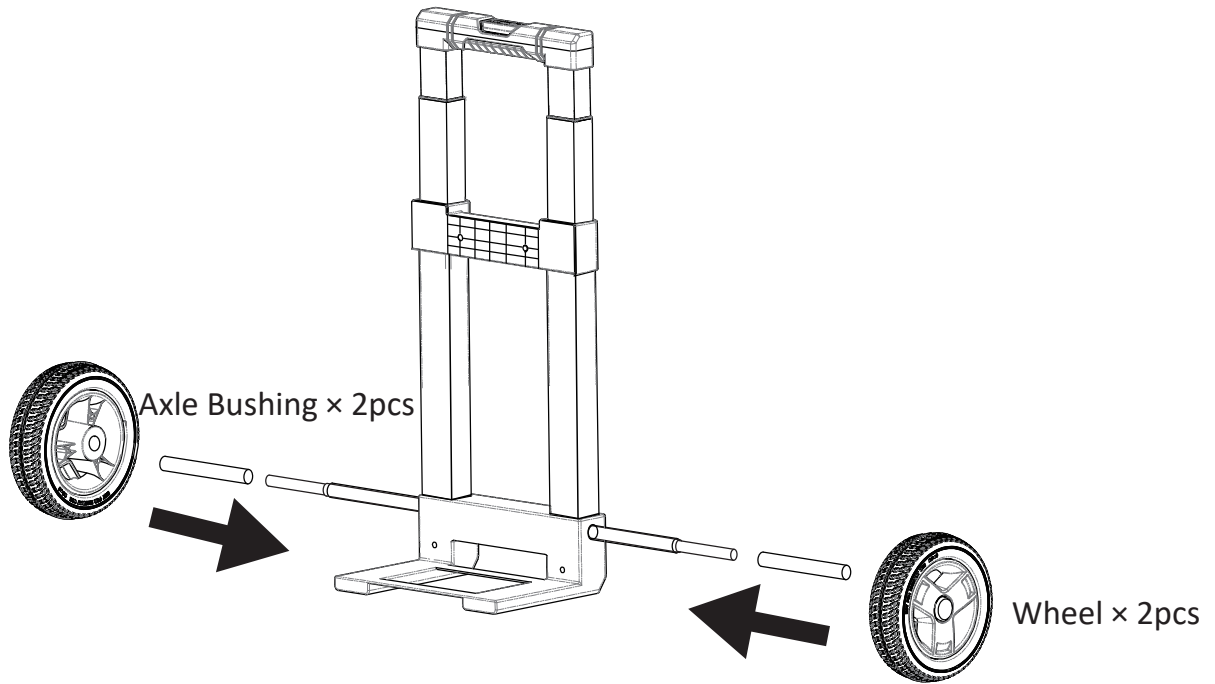
Step 1:



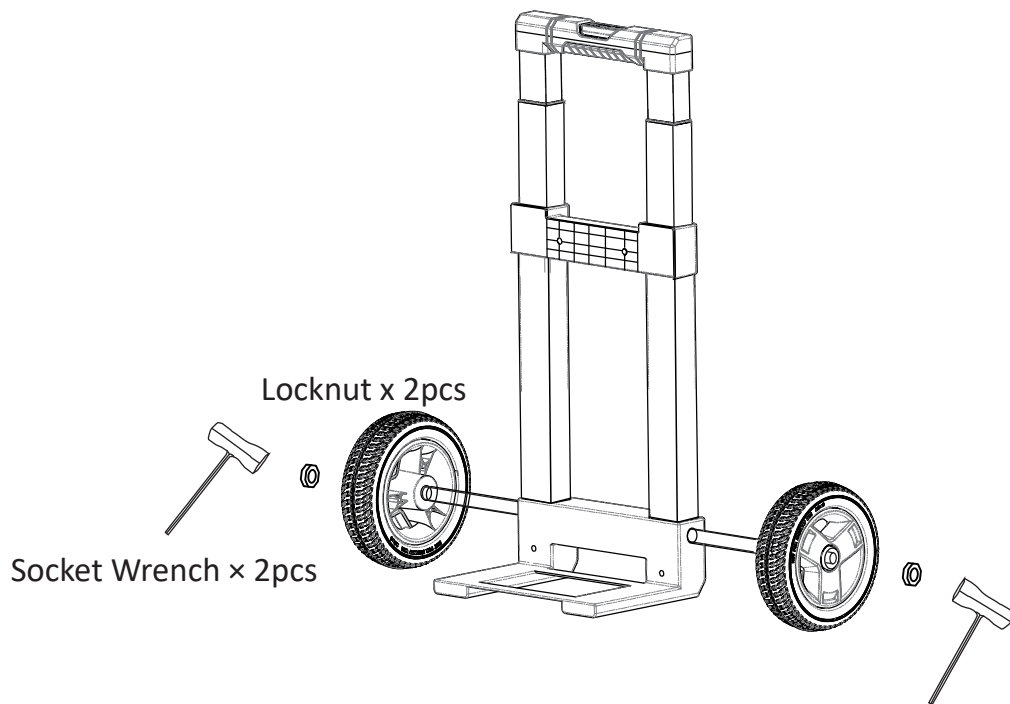
Step 2:



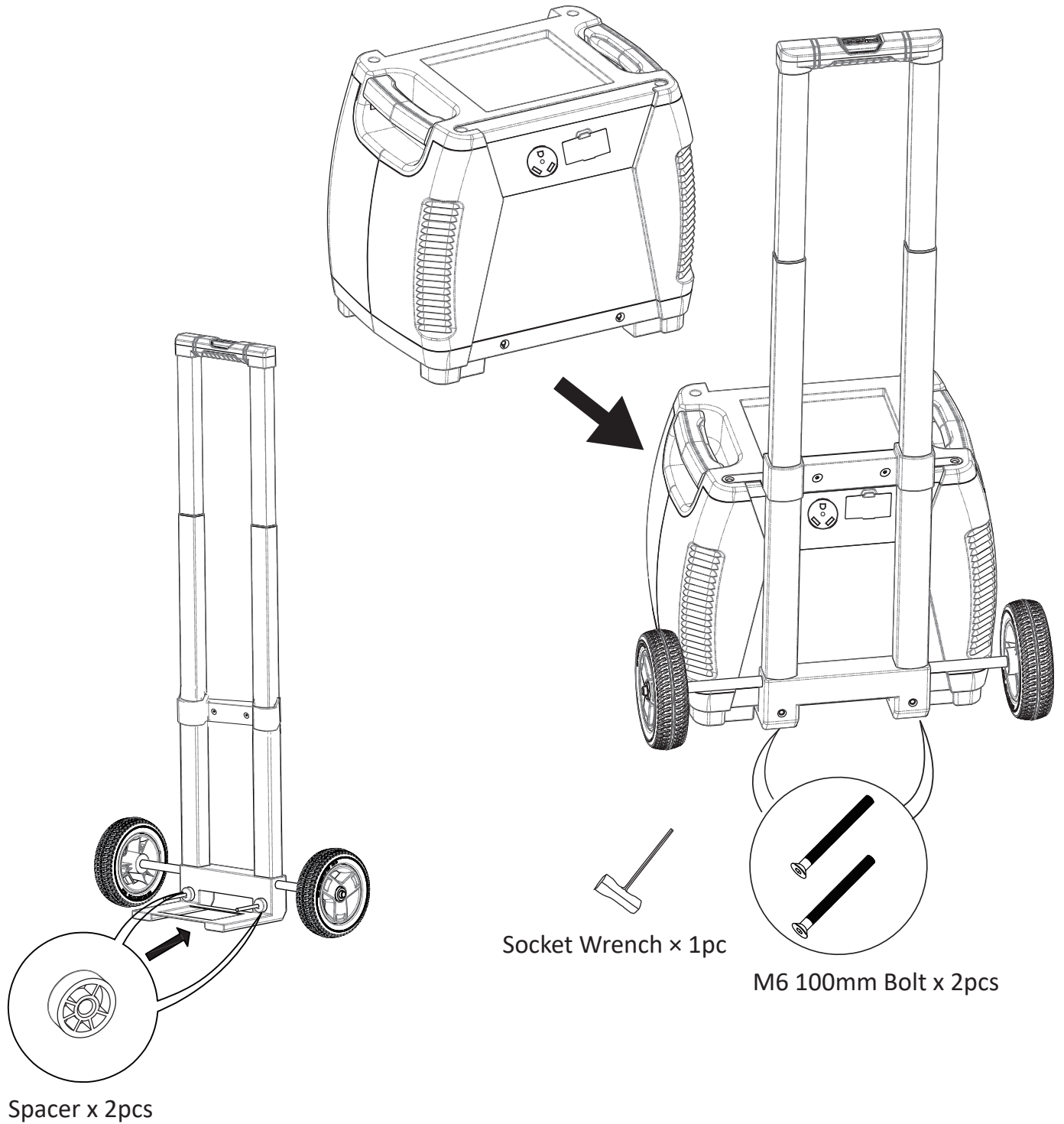
Step 3:



Step 4:

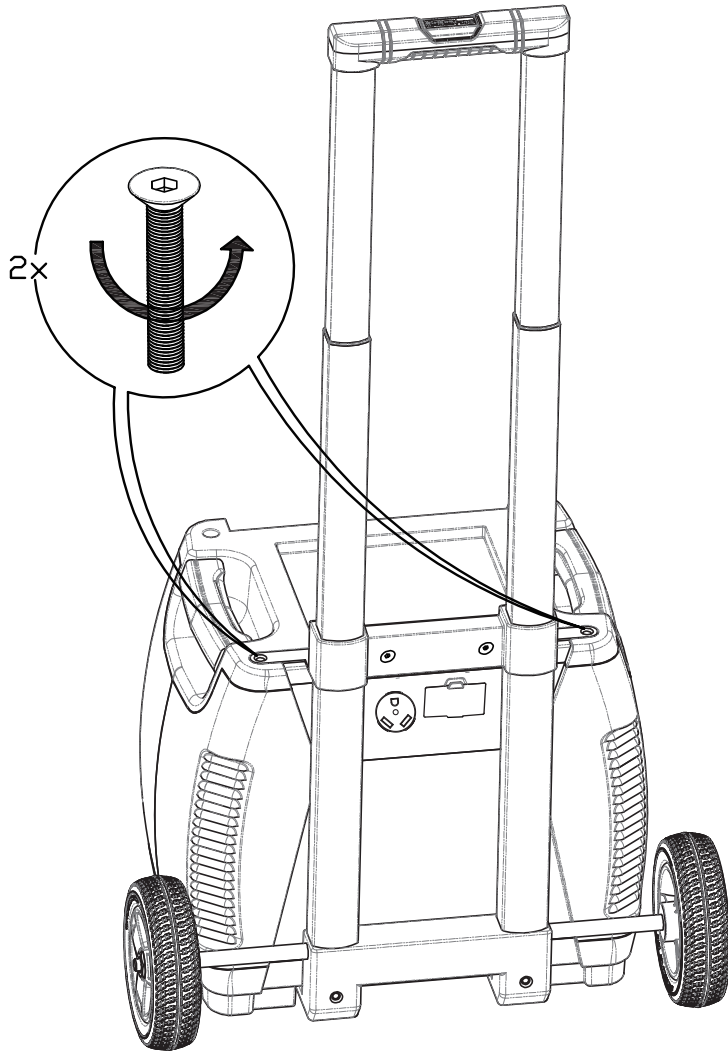


Step 5:



Step 6:

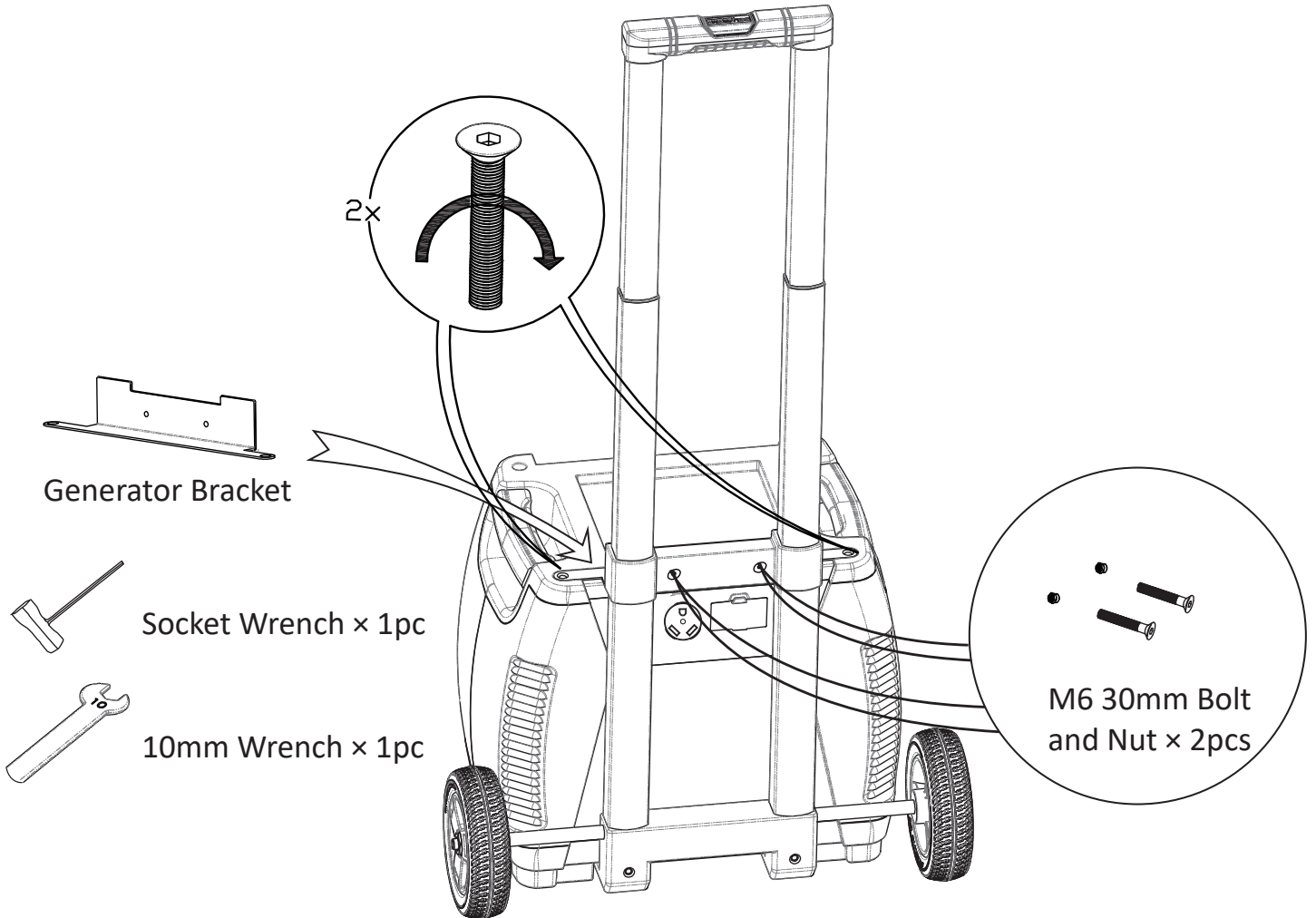
Remove the existing two bolts from the Nature's Generator Elite and set aside for reuse in Step 7.





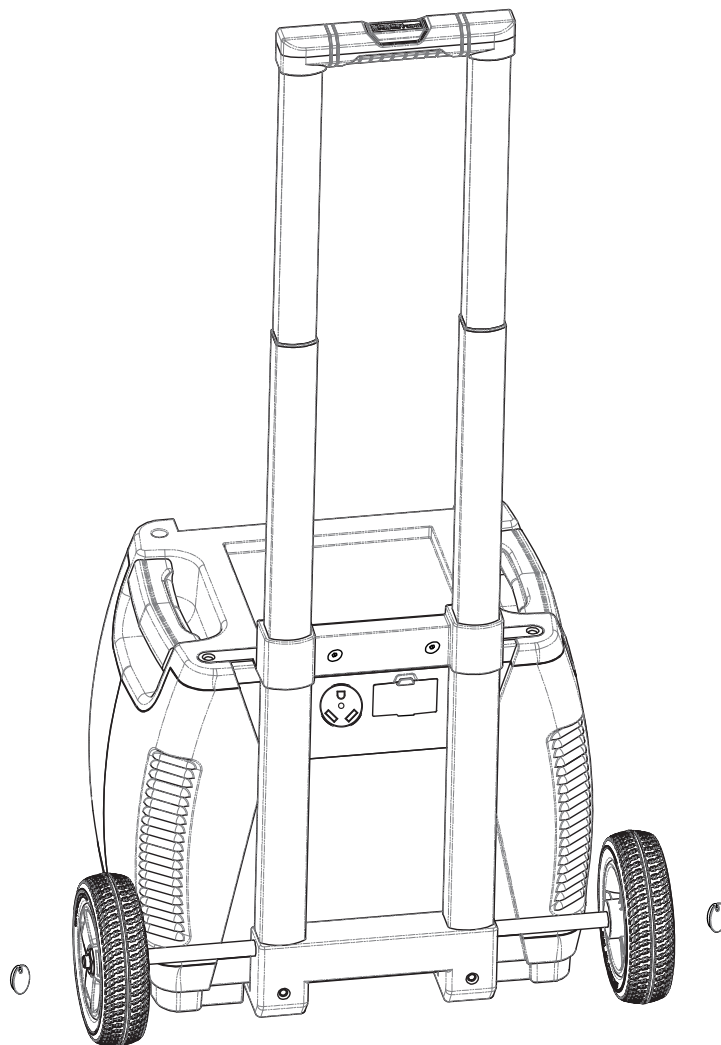
Step 7:

Insert the bolts once Generator Bracket is in place.



Step 8:

After adjusting the distance between the wheel and Nature's Generator Elite, please put the hub caps on the wheels.



Hub Cap x 2pcs

## ***Troubleshooting***

### ***My Nature's Generator Elite won't charge when I connect my solar panel to it.***

Please follow these steps.

1. Make sure the solar panel is pointed directly towards the sun. It is preferred to position the solar panel facing south. The solar panel may produce little or no power if it is positioned in the shade.
2. Check the cable connection on your Nature's Generator Elite and make sure it is properly connected.
3. The LCD lights up but the battery bar is not running. It means the Nature's Generator Elite has been fully recharged by the solar panel or the solar panel does not have high enough voltage to recharge the Nature's Generator Elite.

### ***My AC device(s) are not powering up from my Nature's Generator Elite.***

Please follow these steps:

1. Verify your device is suitable for use with your Nature's Generator Elite. The Nature's Generator Elite AC outputs work only with 120V AC and up to 3600 watts on all outlets combined.
2. Make sure the Main Power Switch is turned on.
3. Check the battery bar. If there are only three bars or less, recharge your Nature's Generator Elite. Some AC devices draw large amounts of power and it is recommended to recharge your Nature's Generator Elite full before heavy use.
4. Make sure the AC outlet switch is turned on. The LED light should be green.
5. If LED light is red, please check the failure icons on the LCD display.
  - a. Battery Fail Icon: replace your battery.
  - b. Battery Low Icon: recharge your battery before use.
  - c. Temperature Warning Icon: The internal temperature is too high. Please let it cool down before trying to use again.
  - d. FUSE Icon: Replace the fuses.
  - e. AC! Icon: The AC inverter is being protected. Unplug your AC device, turn off AC outlet switch and back on to try it again.

### ***My Nature's Generator Elite battery drains fast.***

Please follow these steps.

1. Check the wattage of your AC device(s). Some devices like a hair dryer, microwave or vacuum draw large amounts of power and thus the battery drains fast. Please always monitor the wattage output information on the LCD display.
2. When your AC device is not in use, turn off AC outlets of your Nature's Generator Elite to conserve power. The AC outlets consume a considerable amount of power while being in standby mode.
3. When Nature's Generator Elite is not in use, turn off the Main Power Switch and to eliminate unnecessary battery drainage to shut off the LCD display and USB ports.

## ***Technical Specifications***

### ***Battery:***

Type: AGM Sealed Lead Acid

Capacity: 100Ah (1200Wh)

Self-discharge: Recommend to recharge every 4 months

### ***Inverter:***

Output Power: 3600 watt max / 2880 continuous

Output voltage: 120V

Output frequency: 60Hz

### ***Ports:***

USB Port: 5V, up to 3A (15W)

12V DC Port: up to 20A (240W max)

Expansion Port: 350A fuse

### ***Charges:***

AC Charger: 190W

AC Charger Indicator: red (charging) and green (charged)

Solar Charger: 300watt

Wind Charger: 300watt

### ***General:***

Dimensions: 18 x 12 x 15 in (47 x 30 x 38 cm) without cart

23 x 17 x 22 in ( 57 x 42 x 55 cm) with cart

Operating temperature: 32-104 °F (0-40 °C)

Storage Temperature: 23–111 °F (-5–45 °C)

Weight: 120 lbs (54.4 kg)

## ***Limited Warranty***

### ***One Year Limited Warranty***

Huntkey USA Inc. warrants to you, the original purchaser of this new product, that the product shall be free of defects in the original manufacture of the material or workmanship for a period of one (1) year from the original date of your purchase of the product ("Warranty Period"). This product must be purchased from an authorized dealer and packaged with this warranty statement. This warranty does not cover refurbished product.

### ***What does this Warranty Cover?***

During the Warranty Period, if the original manufacture of the material or workmanship of the product is determined to be defective by an authorized dealer, Huntkey USA Inc. will (at its sole option): (1) repair the product with new or rebuilt parts; or (2) replace the product at no charge with new or rebuilt comparable products or parts. Products and parts replaced under this warranty become the property of Nature's Generator Elite and are not returned to you. If service of products or parts are required after the Warranty Period expires, you must pay all labor and parts charges. This warranty lasts as long as you own your product during the Warranty Period. Warranty coverage terminates if you sell or otherwise transfer the product.

### ***How to Obtain Warranty Service?***

Please call 1-800-975-7909 Monday through Friday, 9:00AM to 5:00PM PST. You will be provided with a Return Merchandise Authorization (RMA) number and return instructions. Send product to:

Huntkey USA, Inc.  
3130 Paseo Mercado Suite 106  
Oxnard, CA 93036

Please include the RMA number prominently displayed on the shipping box and include your name, phone number and address with the product inside the box.

### ***Where is the Warranty Valid?***

This warranty is valid only to the original purchaser of the product in North America (United States and Canada).

### ***What does the Warranty not Cover?***

This warranty does not cover:

- Cosmetic damage
- Damage due to force majeure, such as lightning strikes, fire, flood, etc..
- Accident
- Misuse
- Abuse
- Negligence
- Commercial use
- Modification of any part of the product
- Damage due to incorrect operation or maintenance
- Connection to an incorrect voltage supply
- Attempted repair by anyone other than a facility authorized by Huntkey USA Inc. to service the product
- Products sold as is or with all faults
- Consumables, such as batteries
- Products where the factory applied serial number has been altered or removed

REPAIR REPLACEMENT AS PROVIDED UNDER THIS WARRANTY IS YOUR EXCLUSIVE REMEDY. HUNTKEY USA INC. SHALL NOT BE LIABLE FOR ANY INCIDENTAL OR CONSEQUENTIAL DAMAGES FOR THE BREACH OF ANY EXPRESS OR IMPLIED WARRANTY ON THIS PRODUCT, INCLUDING, BUT NOT LIMITED TO LOST DATA, LOSS OF USE OF YOUR PRODUCT, LOST BUSINESS OR LOST PROFITS. HUNTKEY USA INC. PRODUCTS MAKES NO OTHER EXPRESS WARRANTIES WITH RESPECT TO THE PRODUCT, ALL EXPRESS AND IMPLIED WARRANTIES FOR THE PRODUCT, INCLUDING, BUT NOT LIMITED TO, ANY IMPLIED WARRANTIES OF AND CONDITIONS OF MERCHANTABILITY AND FITNESS FOR A PARTICULAR PURPOSE, ARE LIMITED IN DURATION TO THE WARRANTY PERIOD SET FORTH ABOVE AND NO WARRANTIES, WHETHER EXPRESS OR IMPLIED, WILL APPLY AFTER THE WARRANTY PERIOD. SOME STATES, PROVINCES AND JURISDICTIONS DO NOT ALLOW LIMITATIONS ON HOW LONG AN IMPLIED WARRANTY LASTS, SO THE ABOVE LIMITATION MAY NOT APPLY TO YOU. THIS WARRANTY GIVES YOU SPECIFIC LEGAL RIGHTS, AND YOU MAY ALSO HAVE OTHER RIGHTS, WHICH VARY FROM STATE TO STATE OR PROVINCE TO PROVINCE.

Contact Huntkey USA Inc:

For customer service please call 1-800-975-7909

Huntkey USA, Inc.

3130 Paseo Mercado Suite 106

Oxnard, CA 93036

