



# Assembly Instructions

**sgreen**



**TABLE TOP**  
WASHOUT BOOTH





## Tools Required:

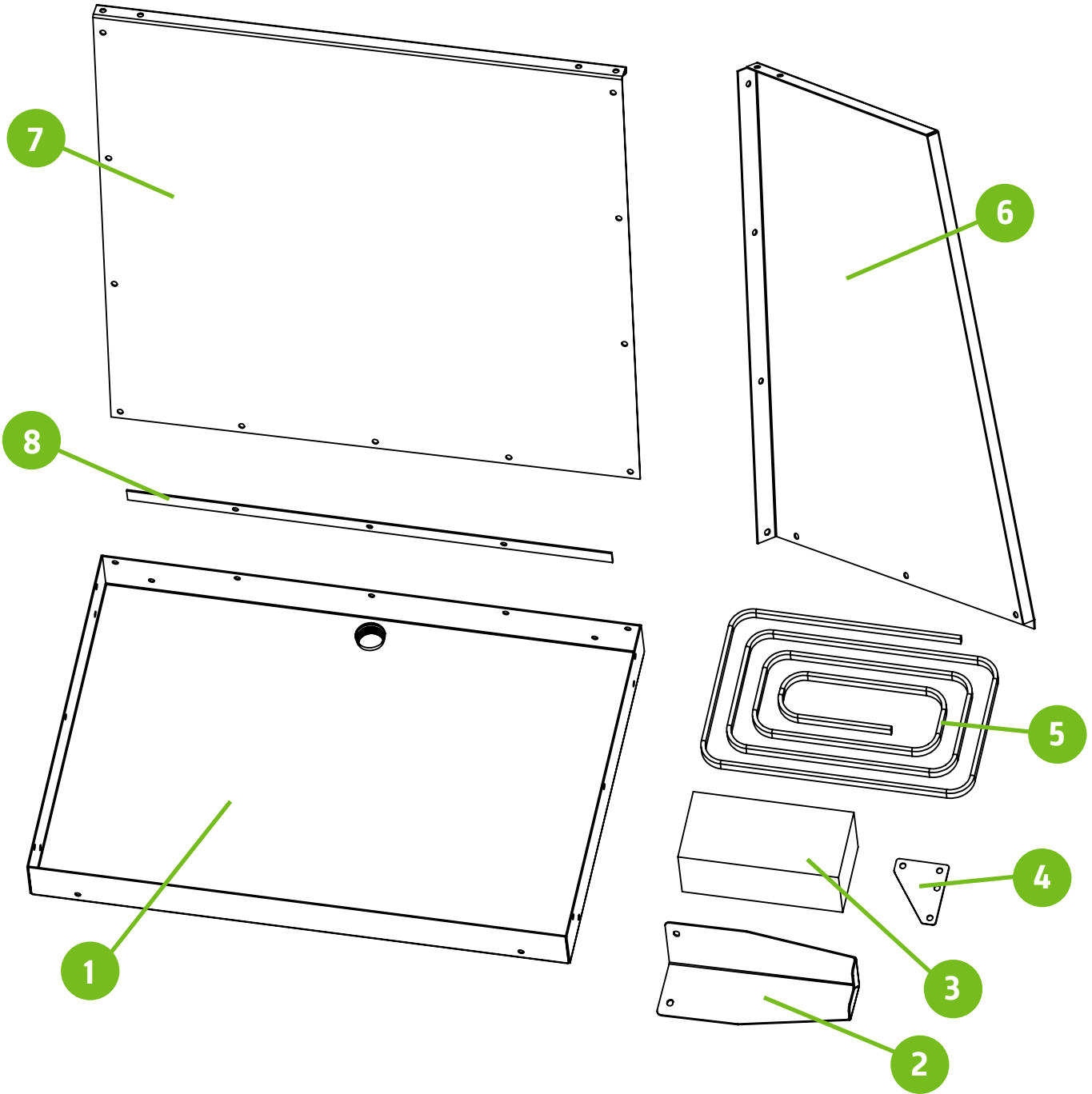
- Two 7/16" wrenches
- One 5/32" Hex wrench

What's in the box

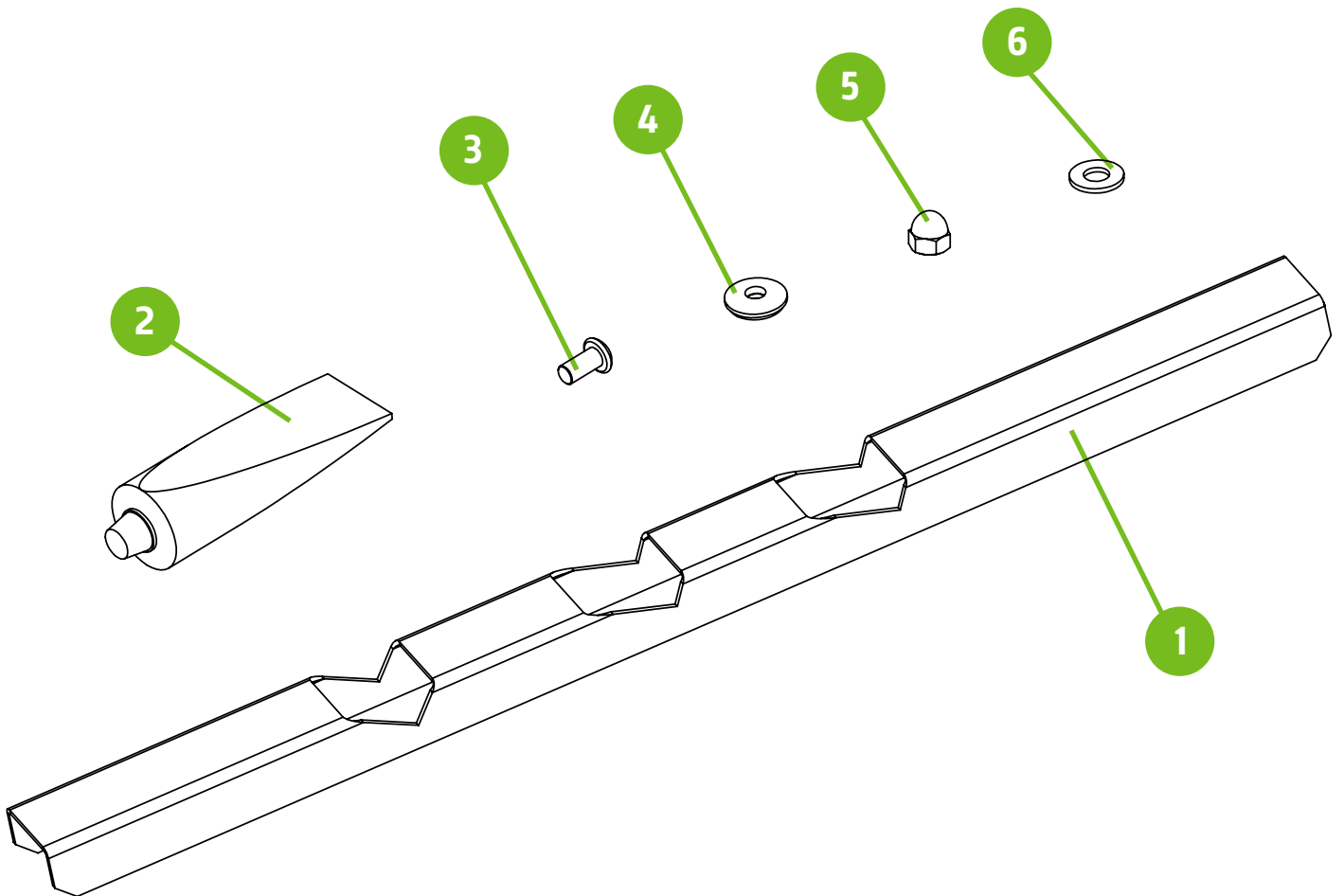
Tag	Item	Qty.
1	MFWD-TABLEWASBDY	1
2	MFPB-TABLEWASHFOOT	4
3	MFSA-TABLEWASHDW	1
4	MFLS-TABLEWASHGST	2
5	MFCO-EDGETRIM	7
6	MFPB-TABLEWASHSID	2
7	MFLS-TABLEWASHBAK	1
8	MFPB-TABLEWASHSPCR	1

# **Parts Required:**

What's in the box



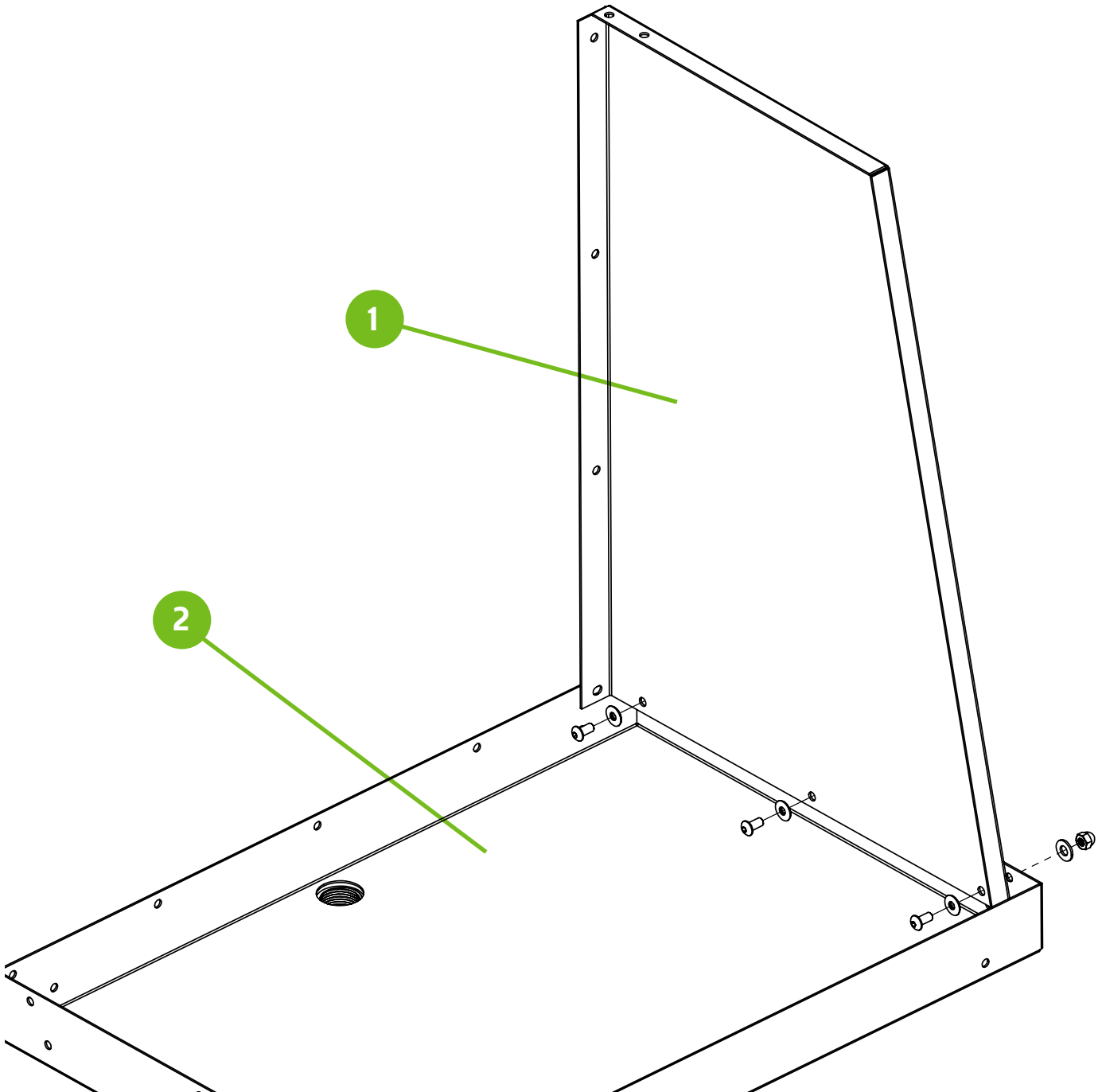
Tag	Item	Description	Qty.
1	MFPB-TABLEWASHSTOFF	Table top Washout booth Screen holding stand-off	2
2	MFCO-SGWASHCAULK	Clear Caulk, Acrylic, 5.5 oz. Tube	1
3	PRHD-BTN1/4NC1/2SS	1/4-20 x 1/2 Button Head Allen Bolt Stainless steel	33
4	PRHD-WA1/4NEOBONDSS	1/4" Neobond Stainless steel conical washer	25
5	PRHD-ACN1/4NCGR5ZC	1/4-20 Acorn Nut Nickel	33
6	PRHD-WA1/4USSGR5ZC	1/4" USS flat washer	33



# Step 1

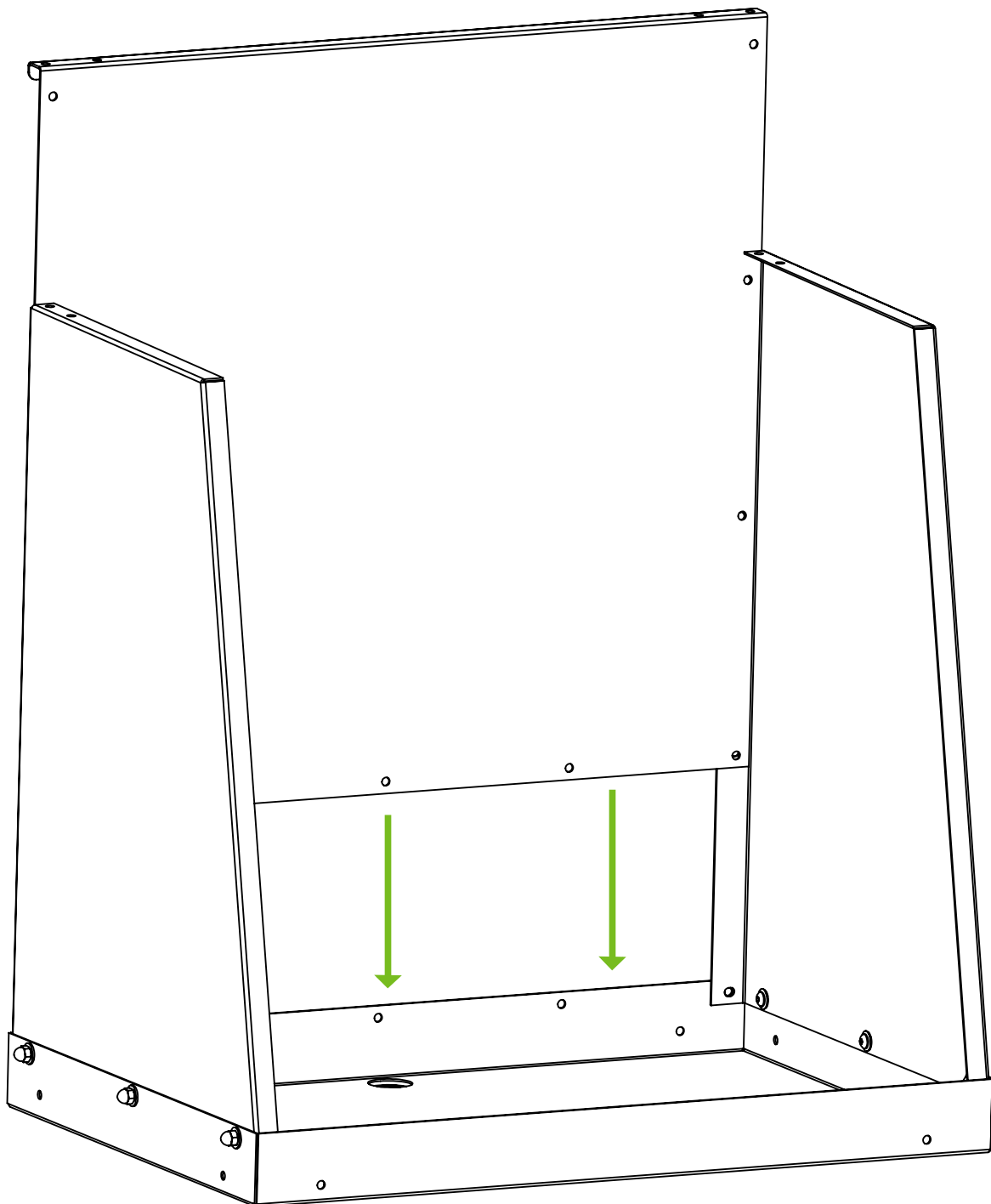
Install the side panels **(1)** to the main sink body **(2)**. Fully tighten the hardware. Neobond washers inside of the sink and standard flat washers outside of the sink..

**Note:** Refer to page 2 for hardware detail.



## Step 2

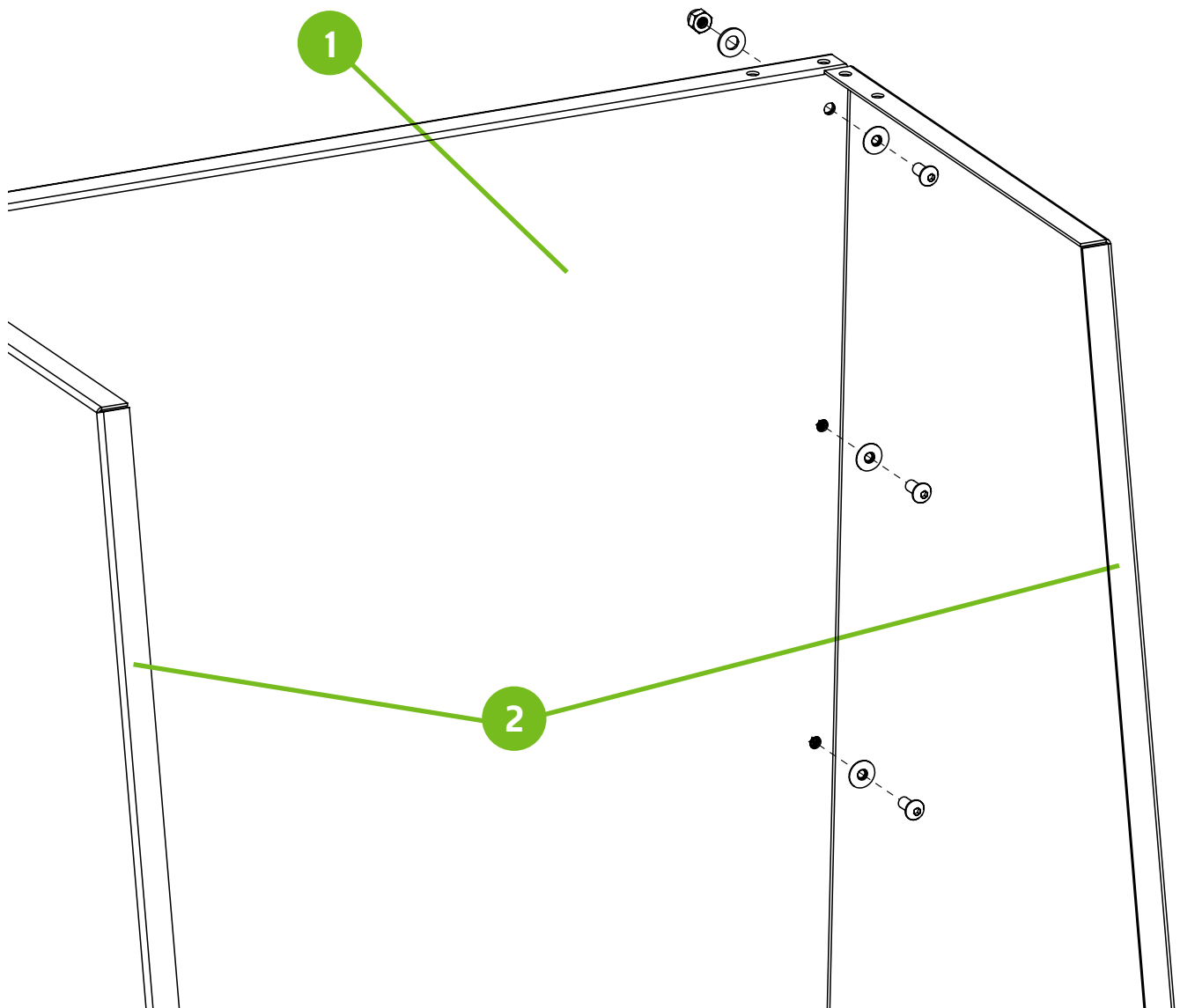
Slide the rear panel on the inside of the side panel flap and align the hole patterns to each other. You will need to place the spacer in between the rear panel and the rear of sink before attaching the hardware.



## Step 3

Install Rear panel **(1)** to the side panels **(2)** to the main sink body. Fully tighten the hardware. Neobond washers inside of the sink and standard flat washers outside of the sink.

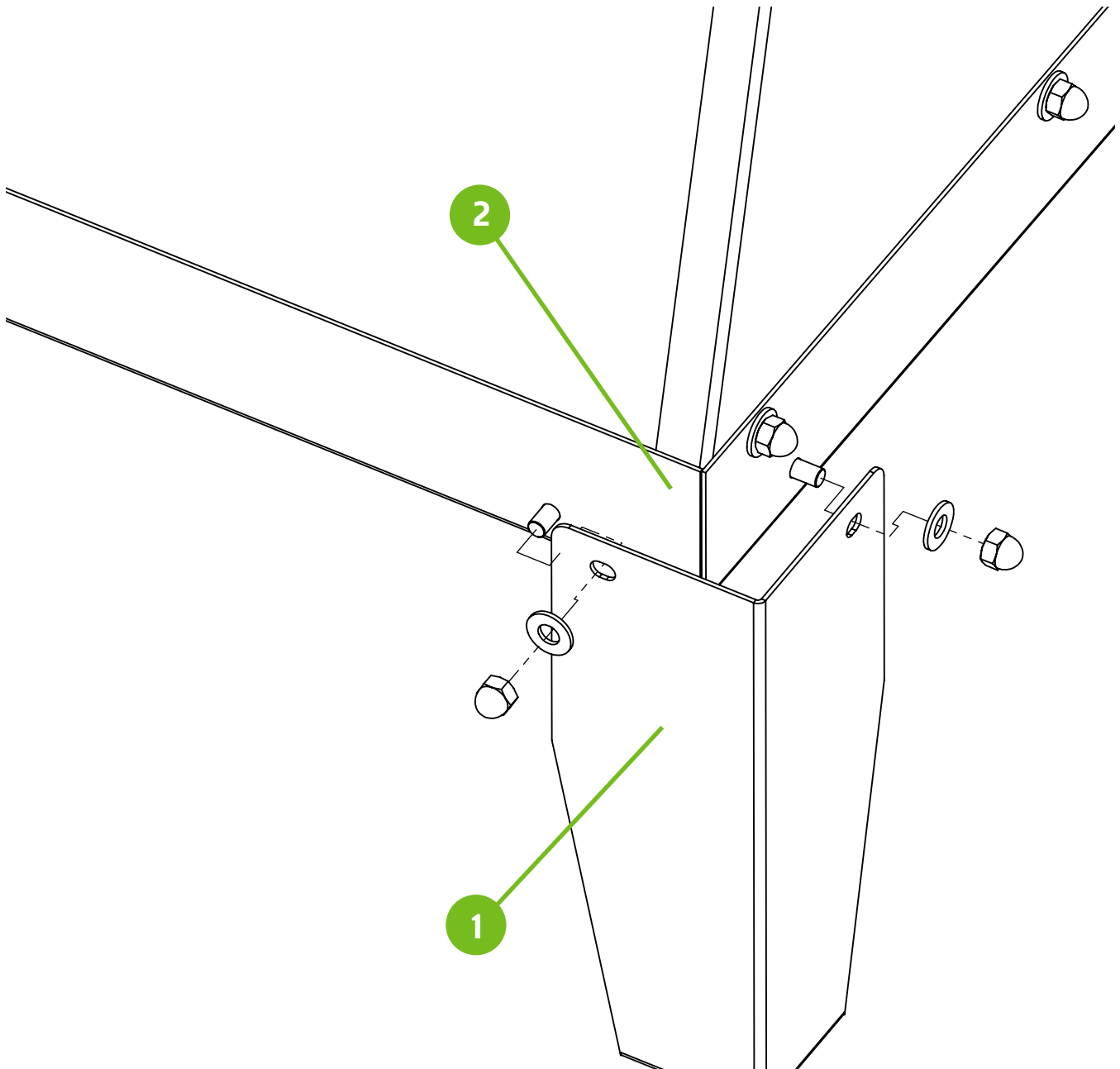
**Note:** Refer to Page 2 for hardware detail.



## Step 4

Install Legs **(1)** to the side panels to the main sink body **(2)**. Fully tighten the hardware. Neobond washers inside of the sink and standard flat washers outside of the sink.

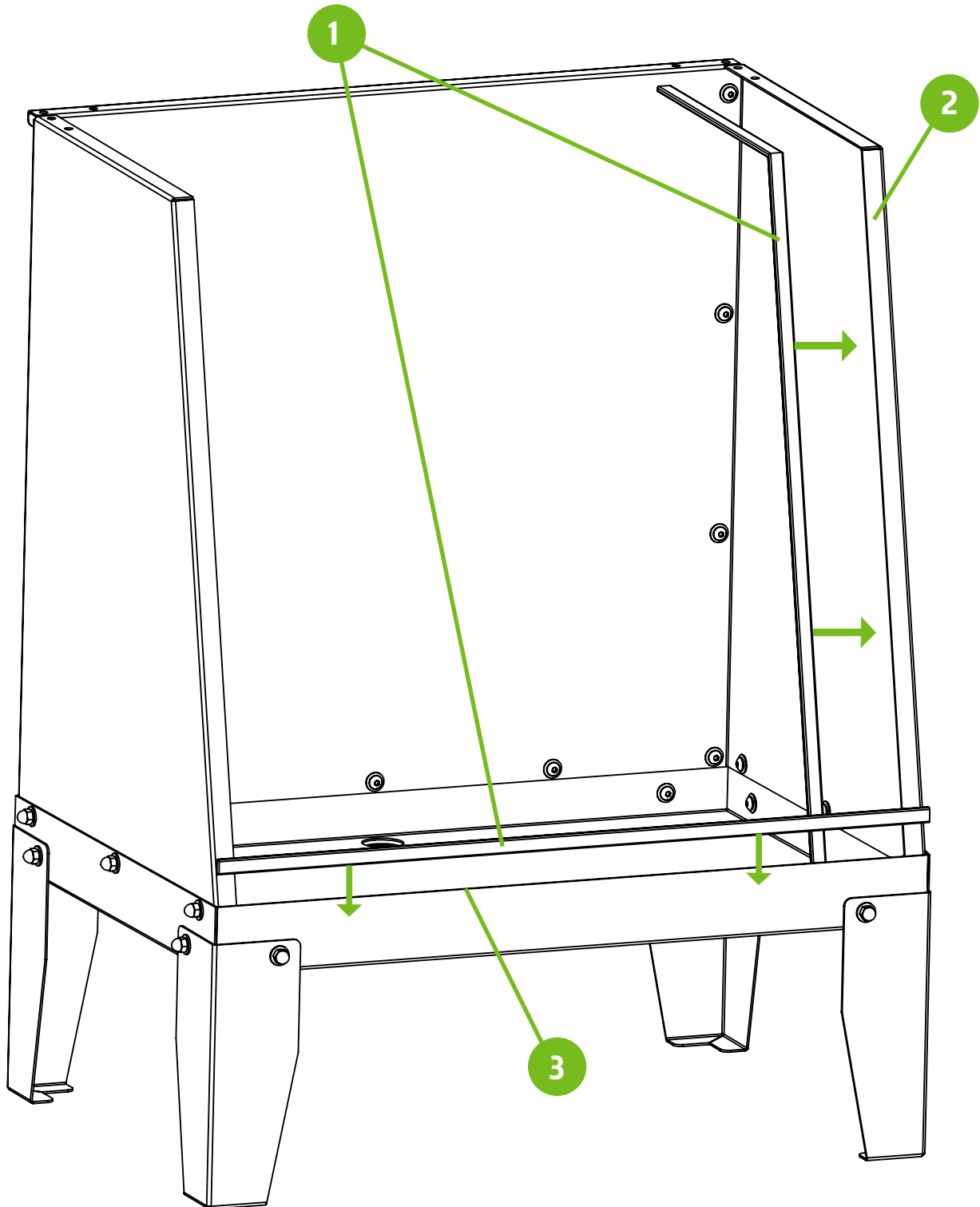
**Note:** Refer to Page 2 for hardware detail.





## Step 5

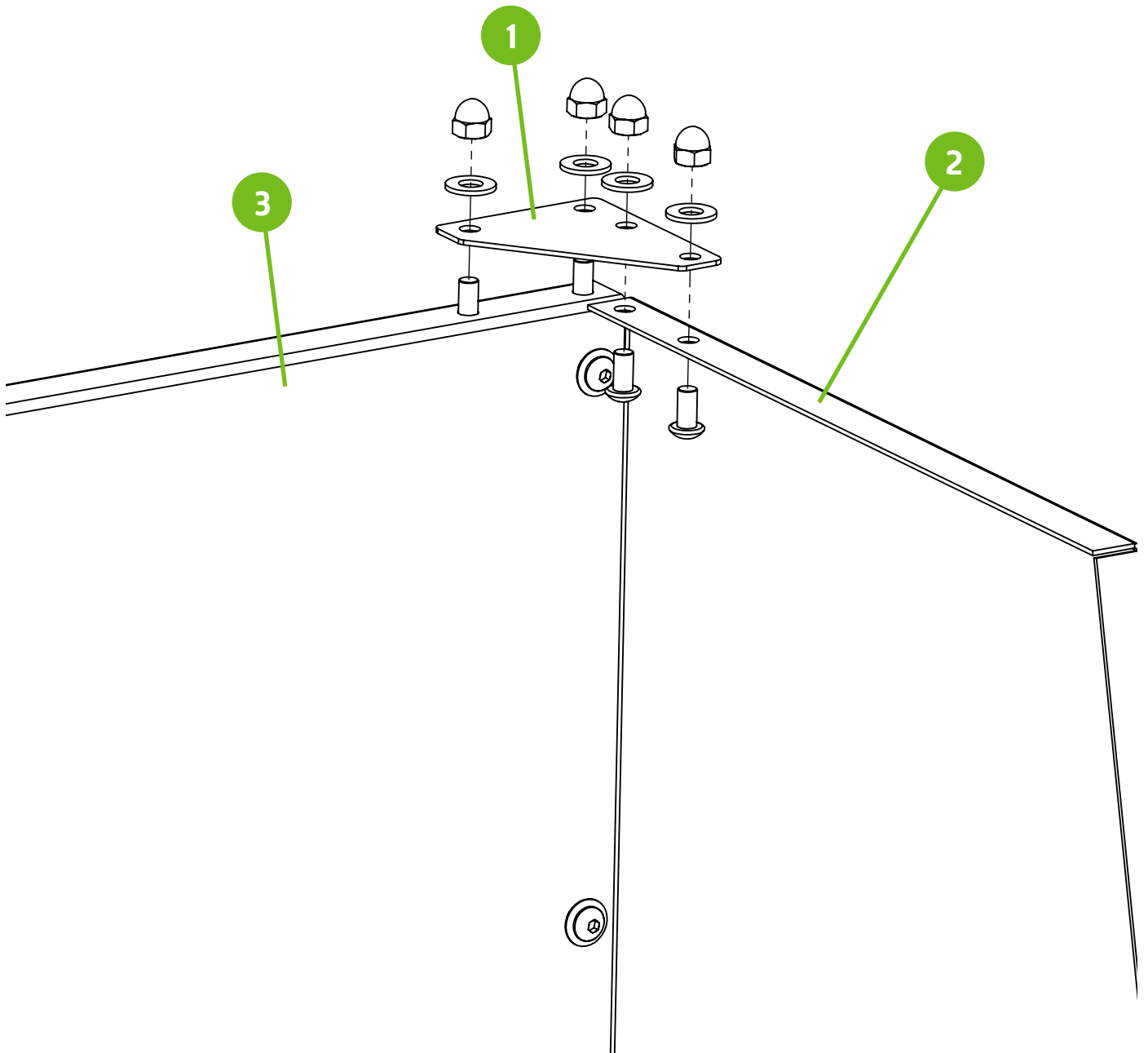
Install edge trim **(1)** to the side panels **(2)** and front lip of sink Body **(3)**. Some trimming may be needed for this step.



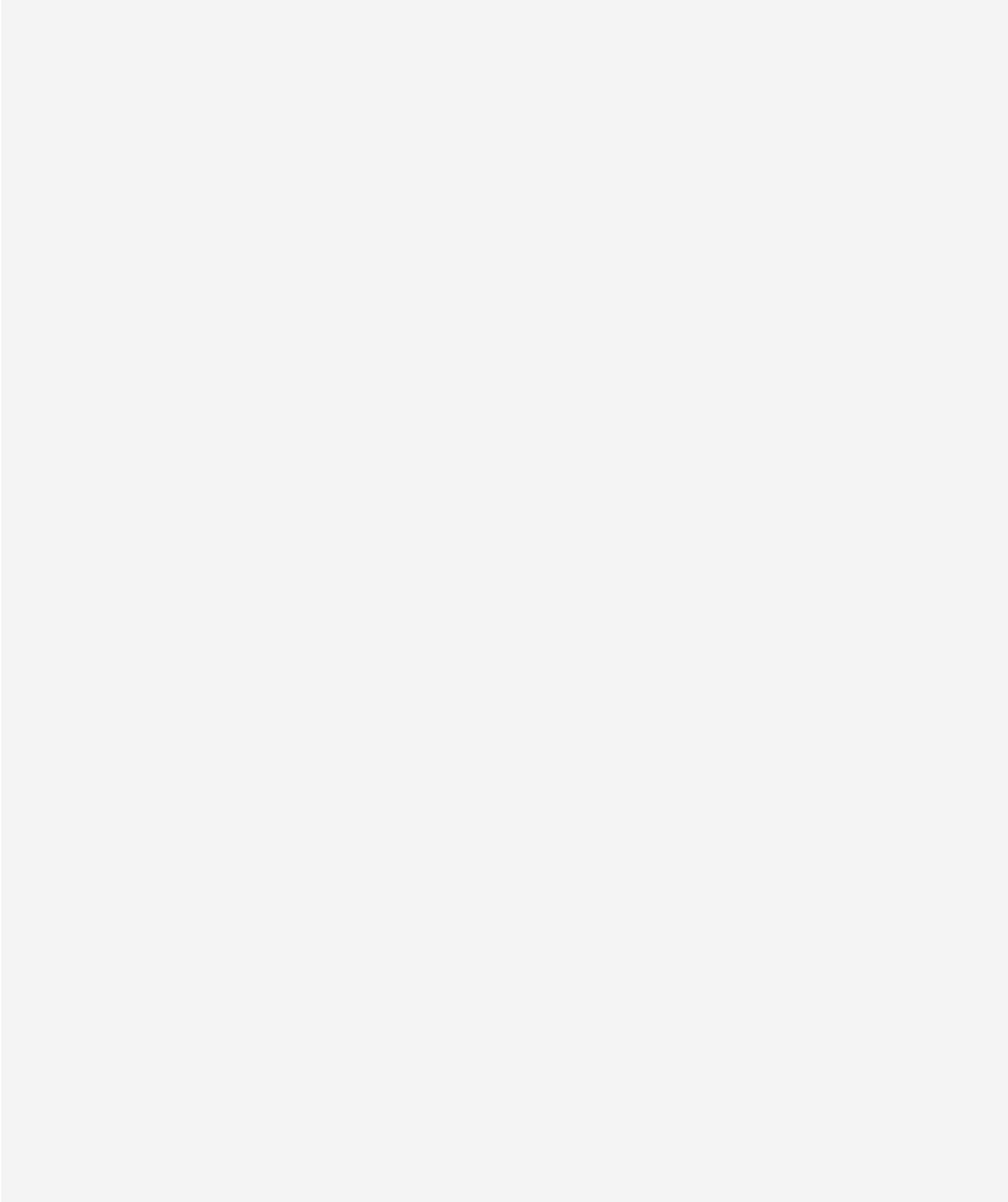
## Step 6

Install Gussets **(1)** to the side panels **(2)** and the rear panel **(3)**. Fully tighten the hardware. No Neobond washers used in this step. Finally, use supplied caulk to seal all seams where water could leak. Allow to dry per caulking instructions.

**Note:** Refer to Page 2 for hardware detail.



# NOTES:



**sgreen**