



Assembly Instructions

sgreen

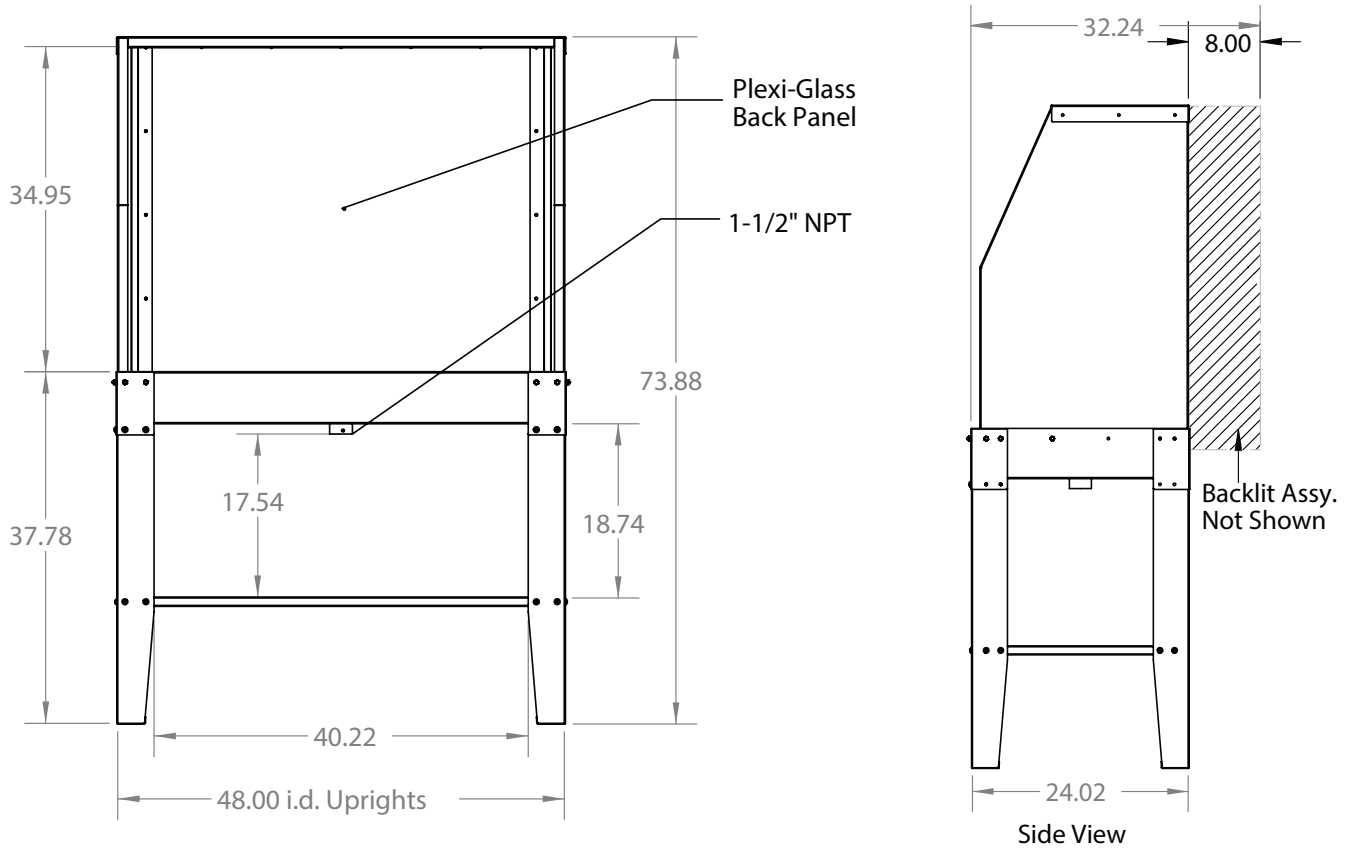


**WASHOUT
BOOTH**

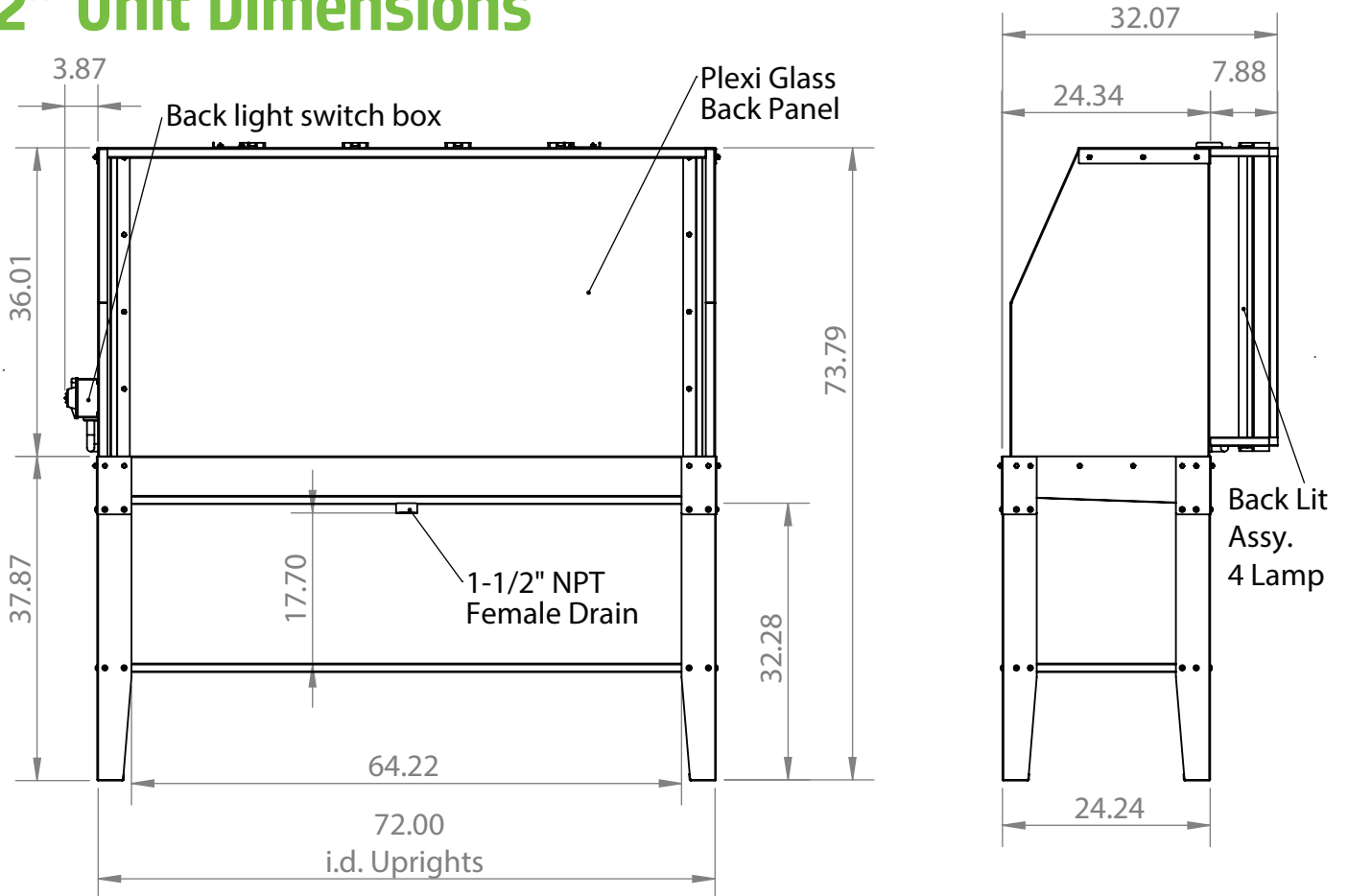
**48
INCH**
**72
INCH**



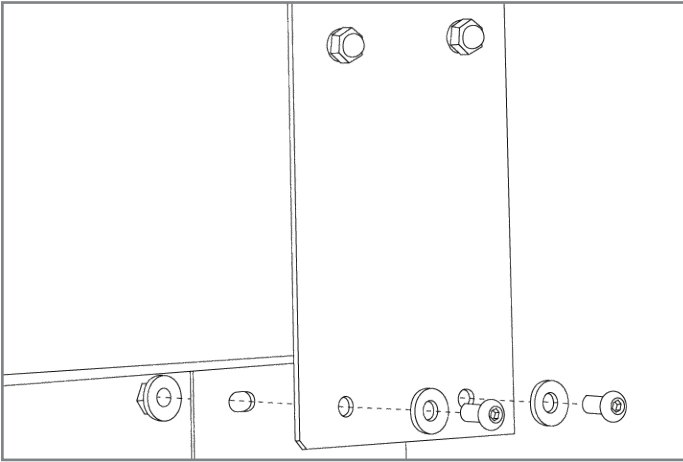
48" Unit Dimensions



72" Unit Dimensions



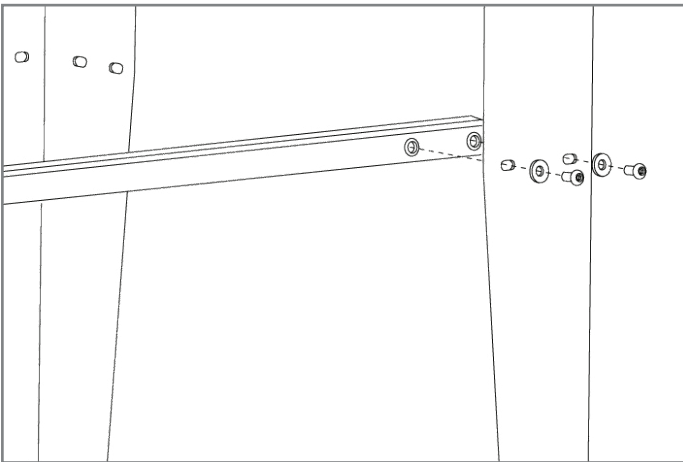
Step 1



Install the legs uprights into the pre-installed leg clips. This will require the provided 1/4th inch bolts, washers and flanged nuts in the four holes-to-slots. Use the supplied 7/16th inch wrench and hex key to attach.

Note: There are left hand and right hand versions of the uprights.

Step 2



Install the aluminum tubular cross bars into the lower upright slots. This will require the provided 1/4th inch bolts and washers. Use the supplied hex key to attach.

sgreen