



Assembly Instructions

Riley *FLASH*

RILEY FLASH 16X16



Riley Hopkins



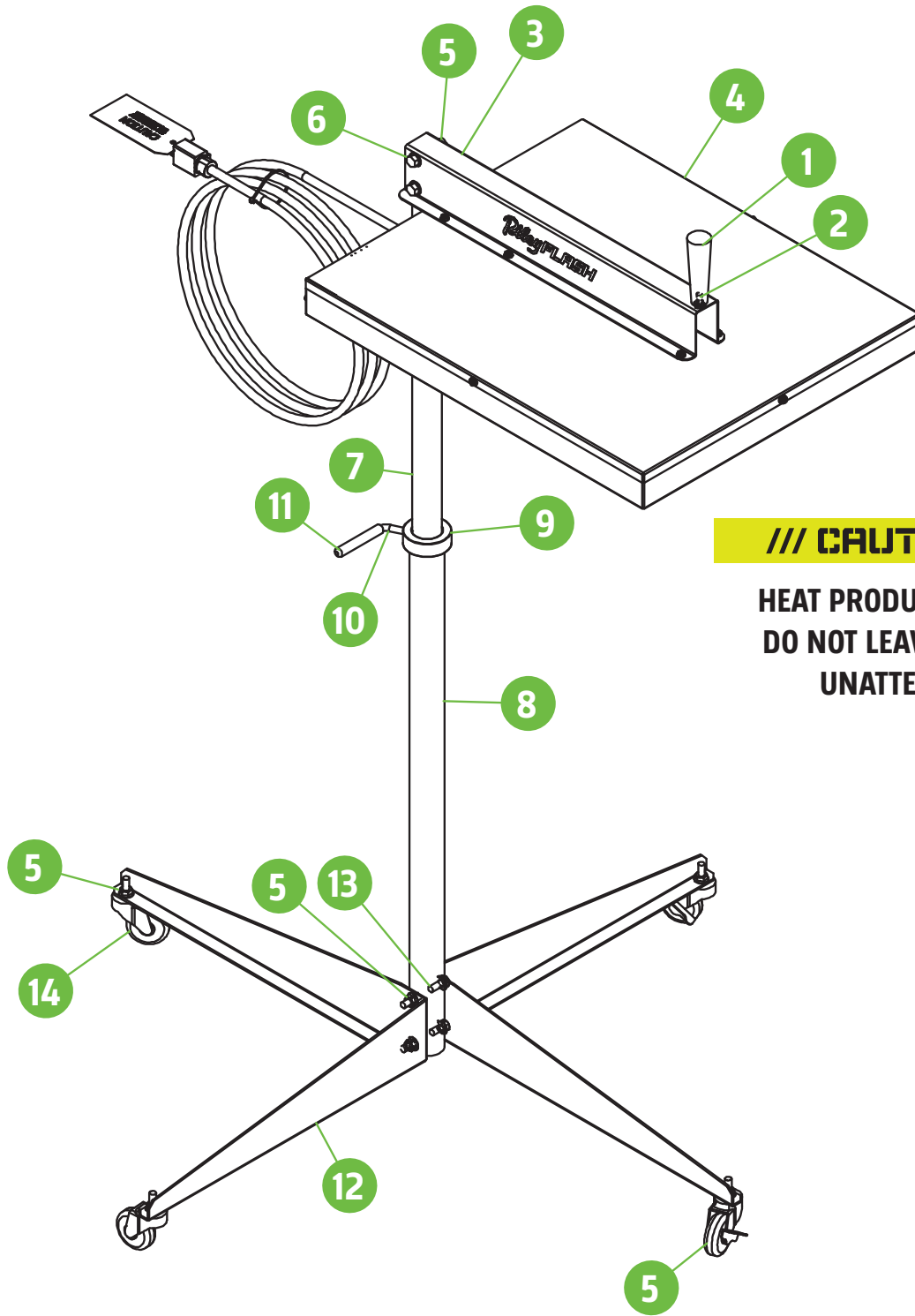
Tools Required: • (x1) 1/2" open end wrench • (x1) 7/16" open end wrench

What's in the box

| Tag | Item | Qty. |
|-----|--|------|
| 1 | HANDLE-BLACK 1/4-20 INSERT | 1 |
| 2 | BOLT-1/4-20X1/2HHCS (ZINC) | 1 |
| 3 | MOUNTING BRACKET BLK | 1 |
| 4 | HEATER | 1 |
| 5 | NUT 5/16-18 SERRATED | 8 |
| 6 | BOLT-5/16-18 X 1-3/4 SERR FL HEX HD ZP | 2 |
| 7 | TUBE 1.38 DIA | 1 |
| 8 | TUBE 1.63 DIA | 1 |
| 9 | COLLAR 1 7/16 ID | 1 |
| 10 | BENT BOLT | 1 |
| 11 | GRIP .31 ID X 2.75L | 1 |
| 12 | LEG | 2 |
| 13 | BOLT 5/16-18 X 2.5L SERRATED | 2 |
| 14 | CASTER 2" | 2 |
| 15 | CASTER 2" W/BRAKE | 2 |

IMPORTANT: BE SURE ALL PARTS ARE ENCLOSED BEFORE ASSEMBLING.

1. Assemble mounting bracket **[3]** and handle **[1]** using bolt **[2]**.
2. Align holes in mounting bracket **[3]** with holes in tube **[7]** and secure with two bolts **[6]** and two nuts **[5]**.
3. Place collar **[9]** at position for desired height and secure with bent bolt **[10]**.
4. Assemble legs **[12]** and tube **[8]** as shown with legs on flat surface.
Secure with bolts **[13]** and hex nuts **[5]**.
5. Secure two casters **[14]** and two casters **[15]** to legs **[12]** using hex nut **[5]**.
6. Insert the rotating tube/heater assembly (from Step 3) into the tube **[8]**.
Adjust locking collar **[9]** to desired height.
7. Align face of heater parallel to platen and tighten two bolts **[6]** and two nuts **[5]**.



/// CAUTION! ///

**HEAT PRODUCING UNIT
DO NOT LEAVE HEATER
UNATTENDED**

General Operating Instructions:

1. Adjust height of heater above platen to suit specific conditions.
2. Riley Flash will heat to operating temperature in approximately 5 minutes.
3. All operating/curing temperatures should be checked with a temperature monitoring device of your choice.
4. Pretest all curing situations, inks, and substrates before proceeding.

MANUFACTURE'S WARRANTY

All products are warranted against defects in workmanship at the time of shipment. The obligation under the above warranty shall be limited to the repair or replacement of any part or parts manufactured by the dryer manufacturer without charge F.O.B. factory that may prove defective within 12 months from the date of shipment, which are returned to dryer manufacturer. The above warranties are the only warranties made with respect to the equipment. There is no implied warranty of merchantability or of fitness.

EXCLUSIONS: There is no warranty on parts not manufactured by the dryer manufacturer, other than the respective manufacturer's warranty, if any. The warranty against defects shall not extend to damage caused from any of the following:

- Transport by carrier
- Corrosion
- Operation or use in a manner inconsistent with specifications and/or operating instructions
- Ordinary wear, accident, improper installation, or maintenance
- Alterations made to equipment in any way

Dryer manufacturer shall not be liable for losses or damages, including but not limited to incidental or consequential damages, suffered or incurred because the equipment proves to be defective either upon installation or during its operation or use. Shipment of defective parts to the dryer manufacturer and the return shipment of any repaired or replacement parts from the dryer manufacturer shall be the purchaser's/user's expense.