



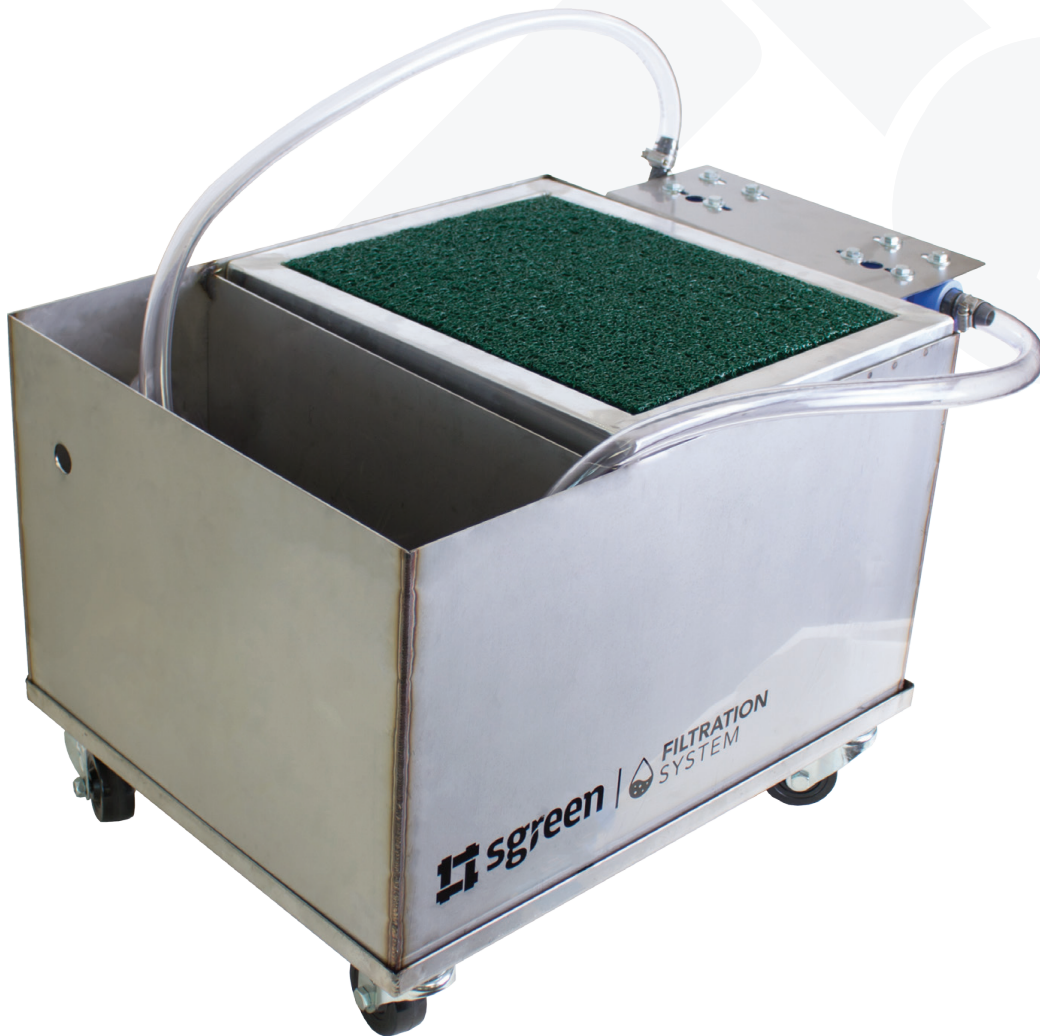
Assembly Instructions



sgreen



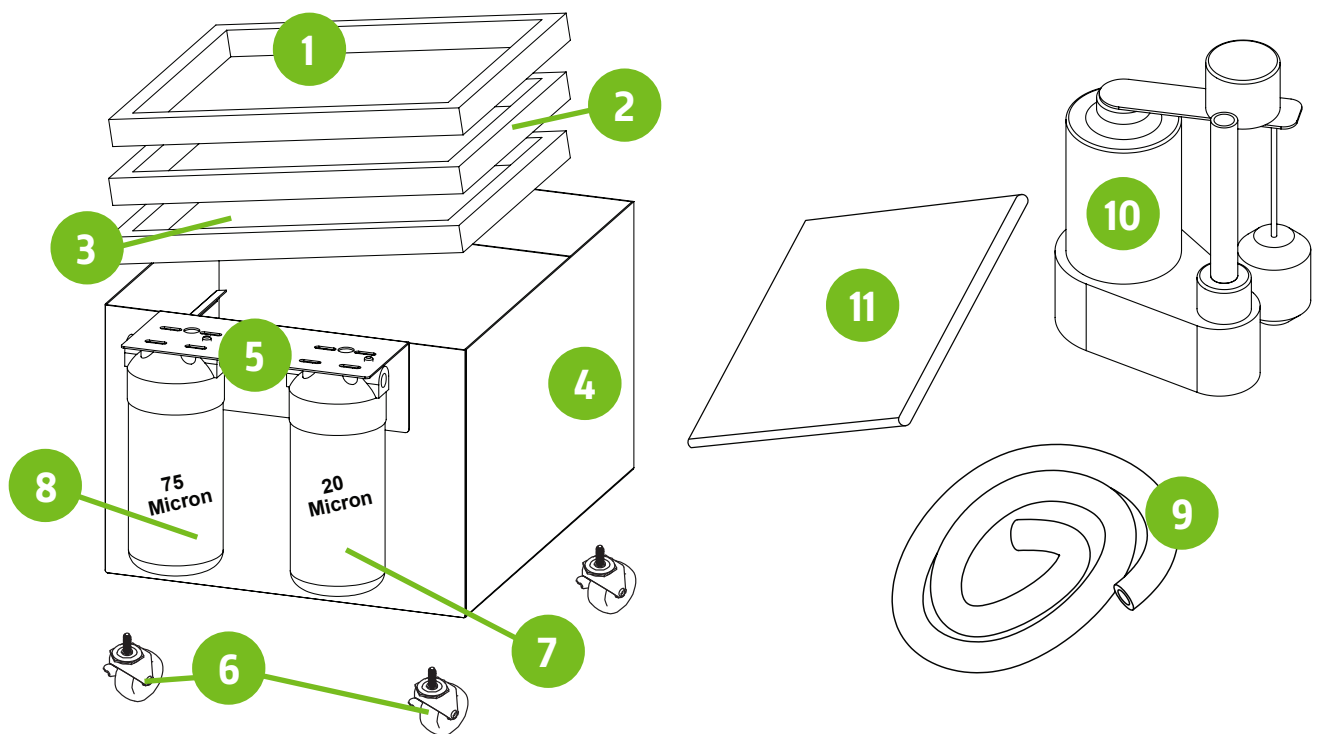
**FILTRATION
SYSTEM**





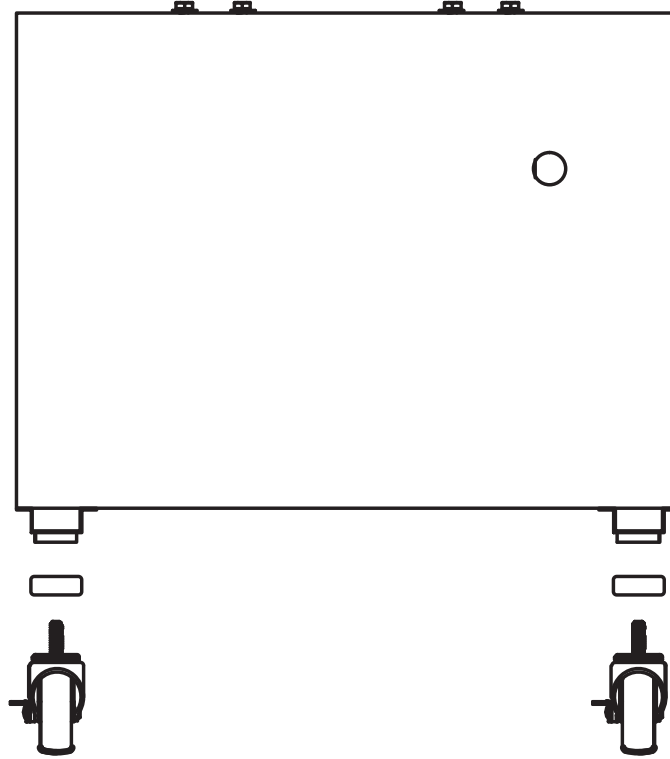
Items Included:

Tag	ITEM	Qty.
1	86 MESH 16 X 20 INCH SCREEN	1
2	156 MESH 16 X 20 INCH SCREEN	1
3	200 MESH 16 X 20 INCH SCREEN	1
4	FILTRATION BODY	1
5	EXTERNAL FILTER HOUSINGS	1
6	CASTERS WITH MOUNTING HARDWARE	4
7	20 MICRON FILTER	2
8	75 MICRON FILTER	2
9	LENGTH OF TUBING	1
10	HIGH OUTPUT SUMP PUMP	1
11	PRE-FILTER MAT	1



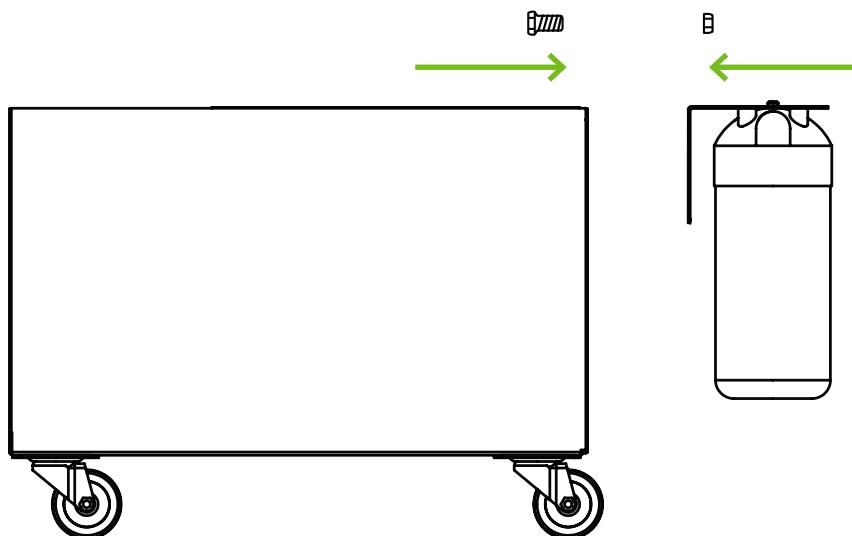
Step 1

Fasten the casters to the base of your unit. Adding spacers between caster and caster mounts on body.



Step 2

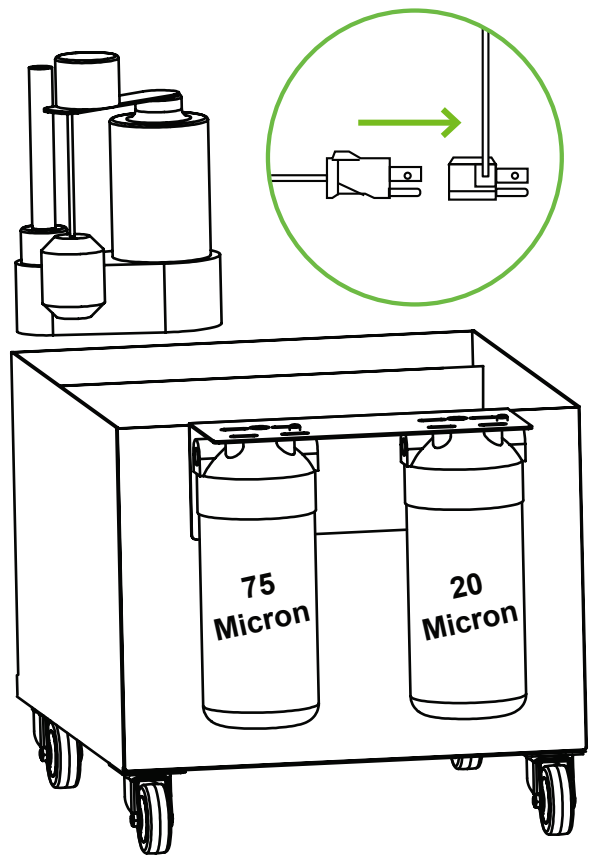
Install the filter assembly onto the outside of the body. 2x ea. nuts and bolts have been supplied for this step.



Step 3

Add the pump into the open area of the filtration system.

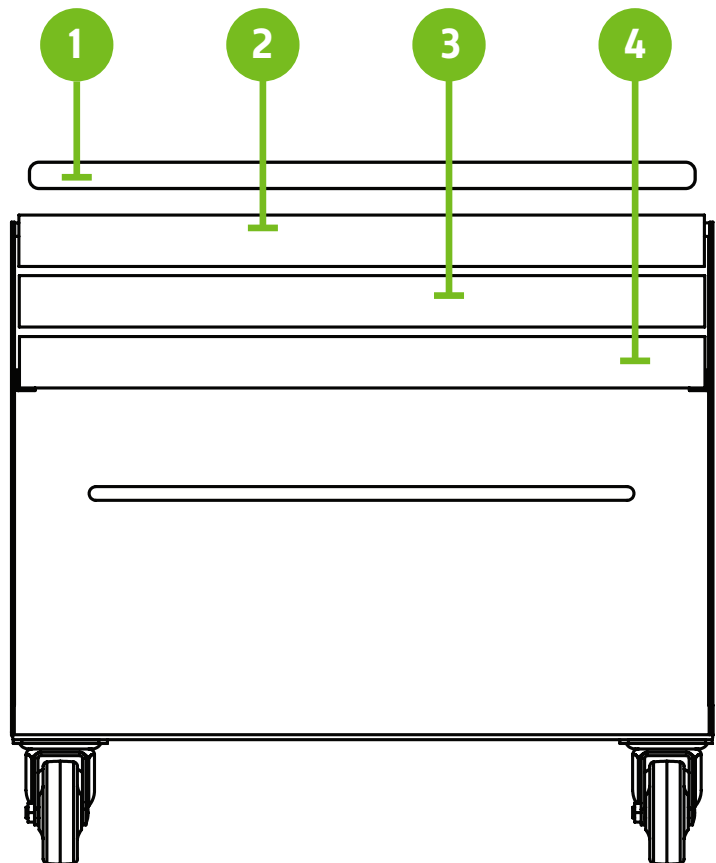
NOTE: Make sure the pump is plugged in through the piggyback switch plug and not plugged into the outlet directly.



Step 4

Install screens and pre-filter mat into filter body.

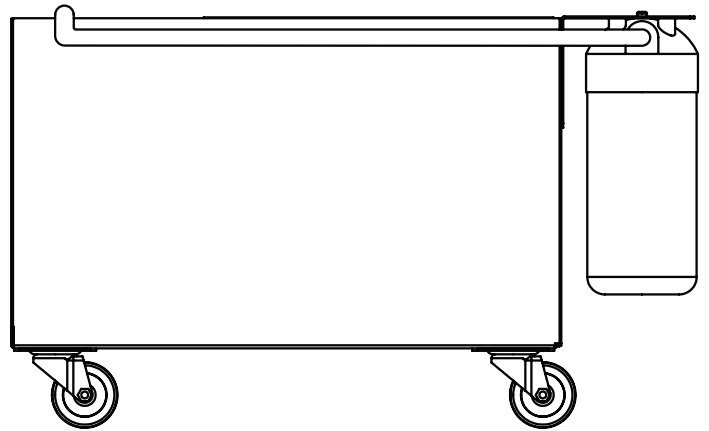
1. Pre-filter mat
2. 86 mesh
3. 156 mesh
4. 200 mesh



Step 5

Run the tubing from the pump outlet to 75 micron filter inlet.

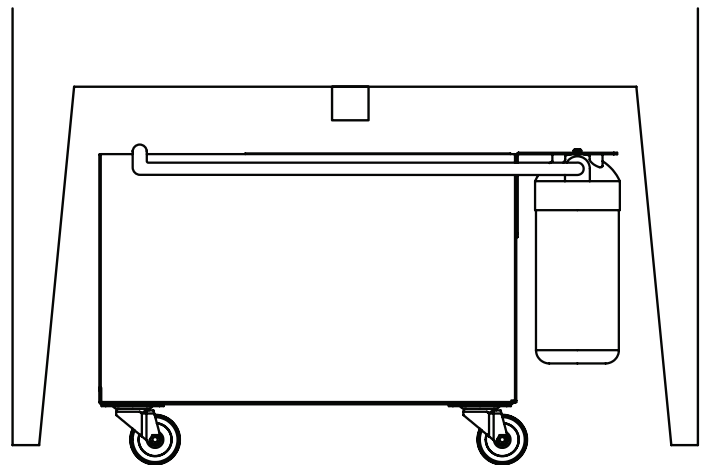
Use the hose clamps to secure tubing.



Step 6

Install the filtration system on the washout booth. Run the tubing from the 20 micron filter to your drain.

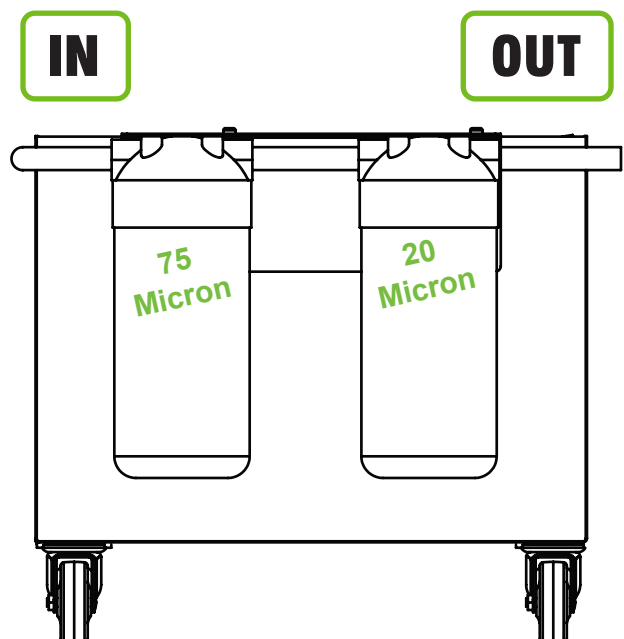
Make sure the washout drain is centered over the screens in the filtration system before using.



Step 7

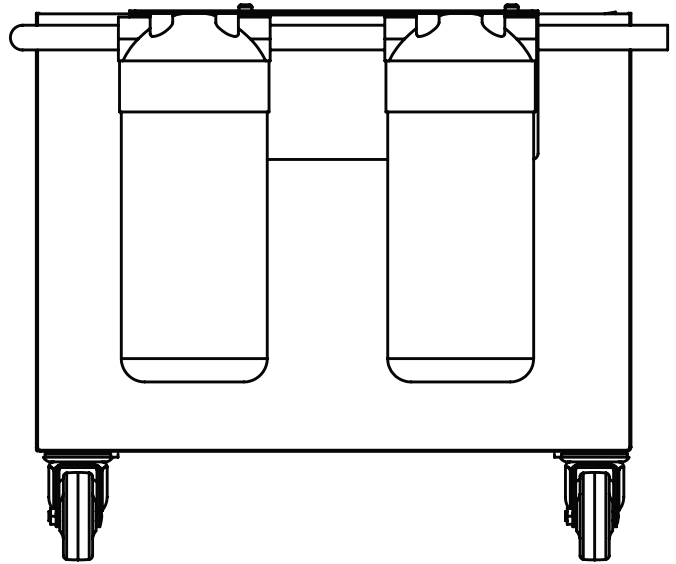
Before using make sure the pump feeds into the 75 micron filter and the 20 micron filter feeds into your drain.

Reversing this order will cause the filtration system to clog prematurely.



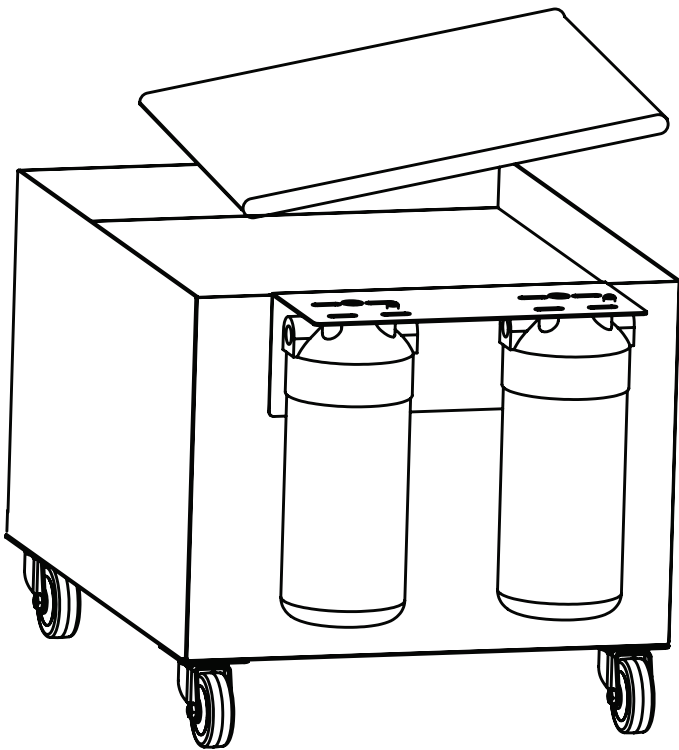
Step 8

When clogged, replace external filters. To expose filters, twist and pull down on filter housings. Be mindful of spilled water, as housings may be full of water when removed.



/// CAUTION! ///

WARNING! Failure to replace external filters immediately upon clogging may result in an overflow of the filtration system.



Step 9

Remove and clean filter pad when clogged.

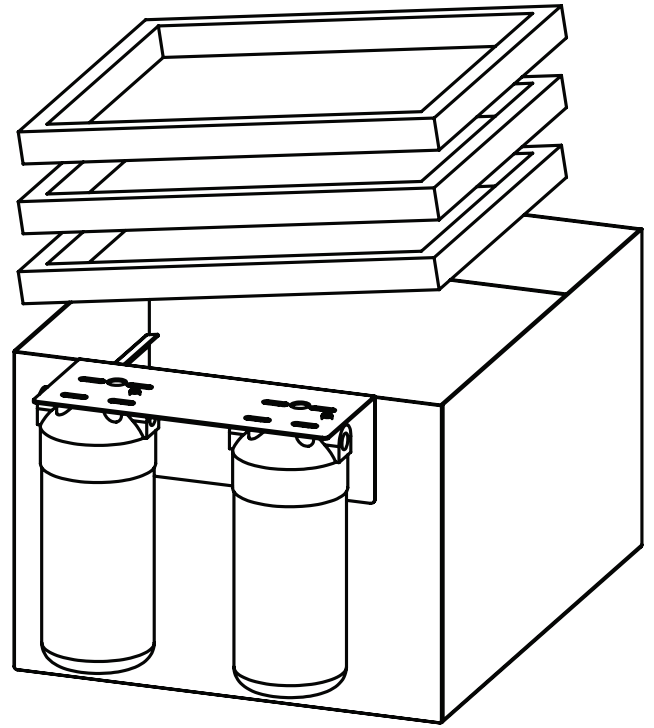
When severely worn, discard and replace.

Step 10

Screens should be kept clog free and should allow water to pass through.

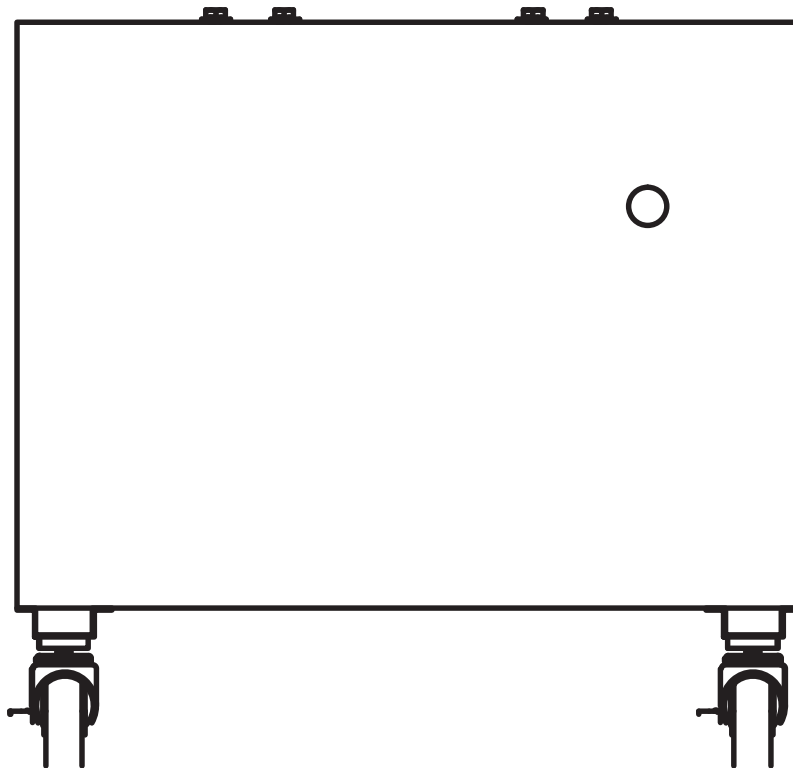
When clogging is noticed, remove and clean screens to remove buildup.

When severely worn, they can be re-meshed or replaced.



Step 10

In case of overflow, the hole in the back of the unit will allow a small amount of water to leak.



sgreen