

BAS=LAYR

DARKROOM EQUIPMENT



ASSEMBLY INSTRUCTIONS

20 SLOT SCREEN RACK

HOLDS 20" X 24" & 23" X 31" FRAMES





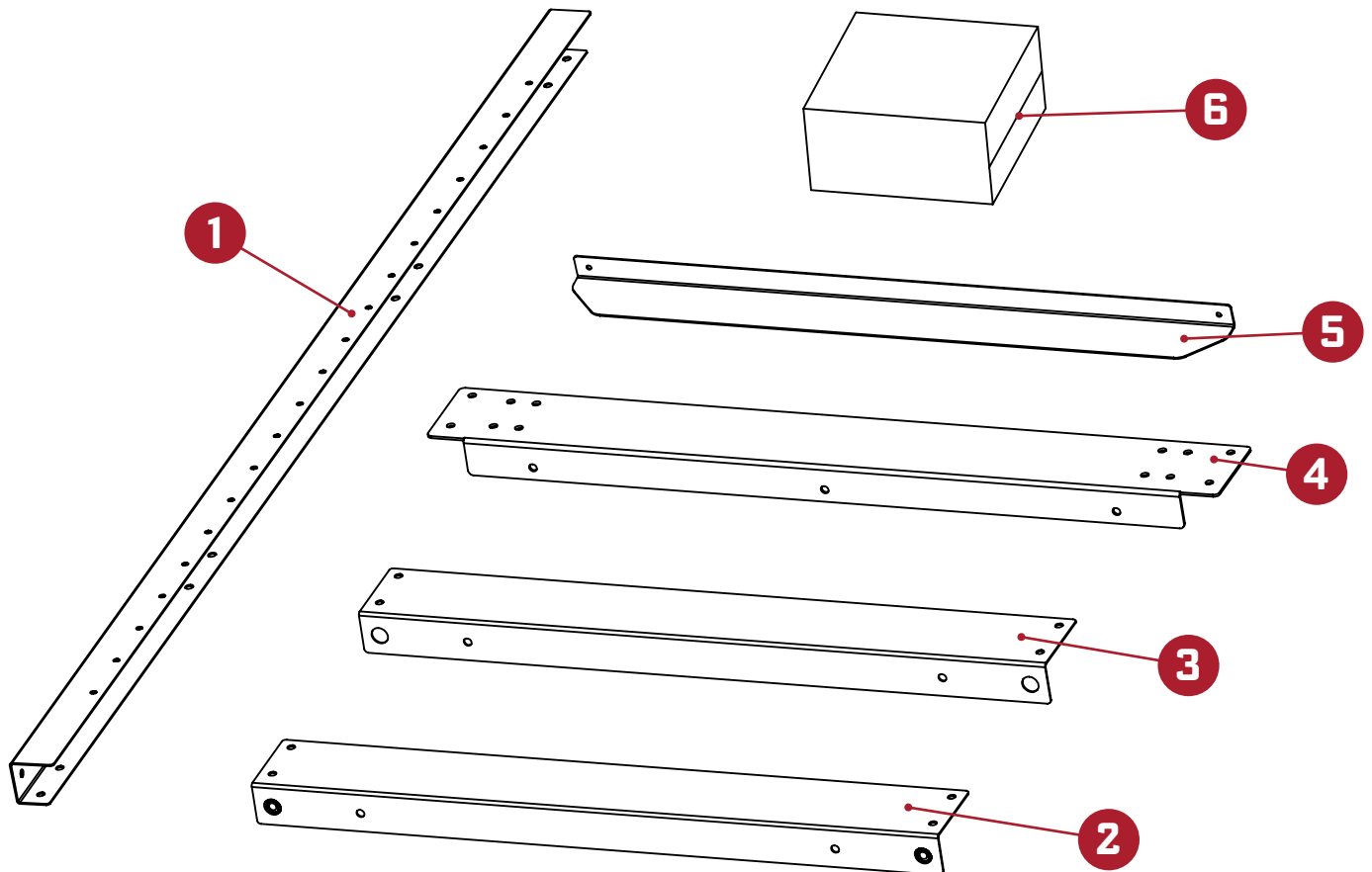
TOOLS REQUIRED:

- (x1) 7/16" Wrench
- (x1) Large pliers or crescent wrench
- (x1) Phillips screwdriver

WHAT'S IN THE BOX

TAG	ITEM	QTY.
1	SCREEN RACK UPRIGHTS	4
2	LOWER-SIDE CROSS BARS (THREADED)	2
3	UPPER-SIDE CROSS BARS	2
4	FRONT TOP AND BOTTOM CROSS BARS	4
5	SCREEN HOLDING SLATS	40
6	HARDWARE BOX	1

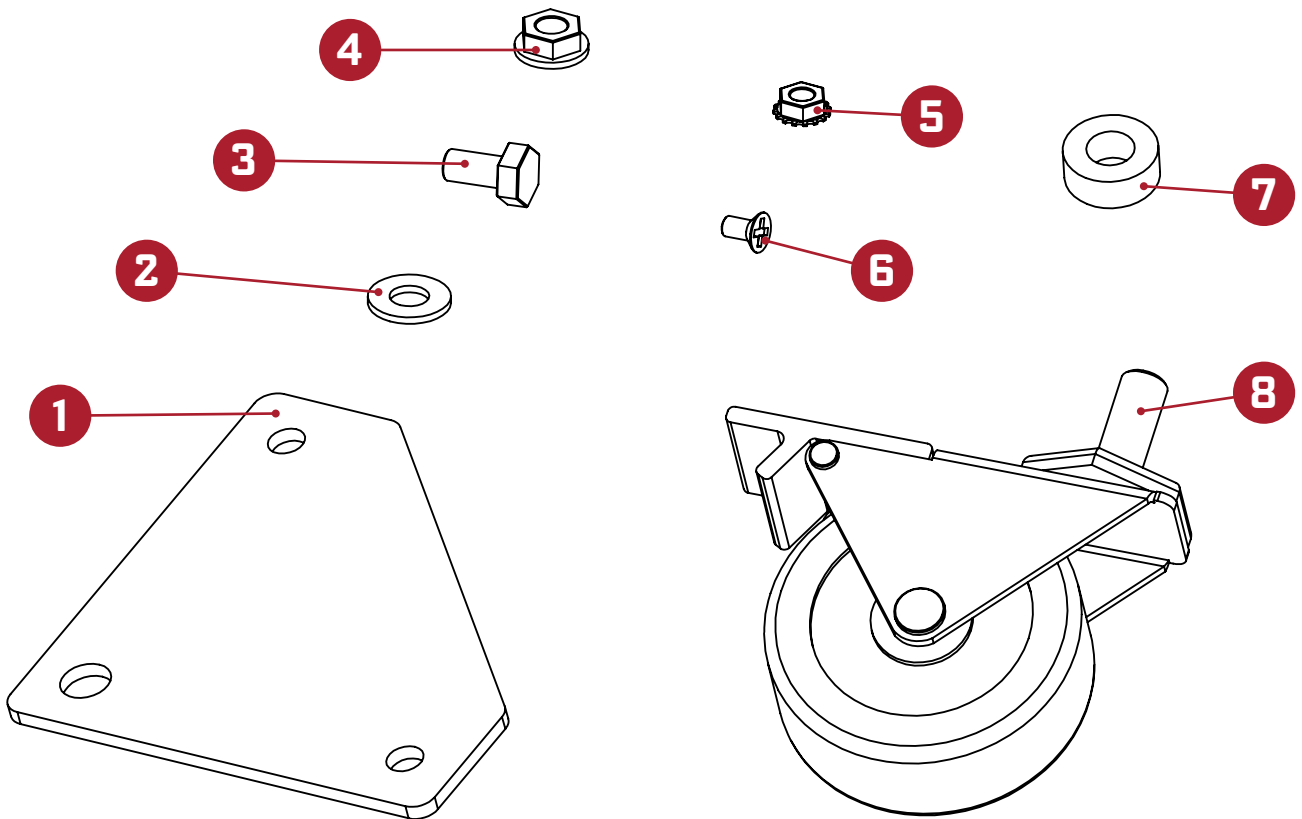
IMPORTANT: BE SURE ALL PARTS ARE ENCLOSED BEFORE ASSEMBLING.



MFSA-BASERK KIT : HARDWARE BOX

TAG	ITEM	DESCRIPTION	QTY.
1	MFZC-RHCRTGST	LOWER CART CORNER GUSSETS	4
2	PRHD-WA1/4USSGR5ZC(THREADED)	1/4" USS FLAT WASHER	32
3	PRHD-HC1/4NC1/2GR5ZC	1/4" X 1/2" HEX CAP SCREW	40
4	PRHD-FLN1/4NCGR5ZC	1/4" FLANGED NUT	24
5	PRHD-KN#8NF	#8-32 KEPS NUT	80
6	PRHD-SCM#8NF5/16PH	#8-32 X 5/16 FLAT SCREW	80
7	MFCO-CSTRSPCR	3/16" CASTER SPACER	4
8	MFCO-CSTR2X3/8ML	2-1/2" LOCKING CASTER	4

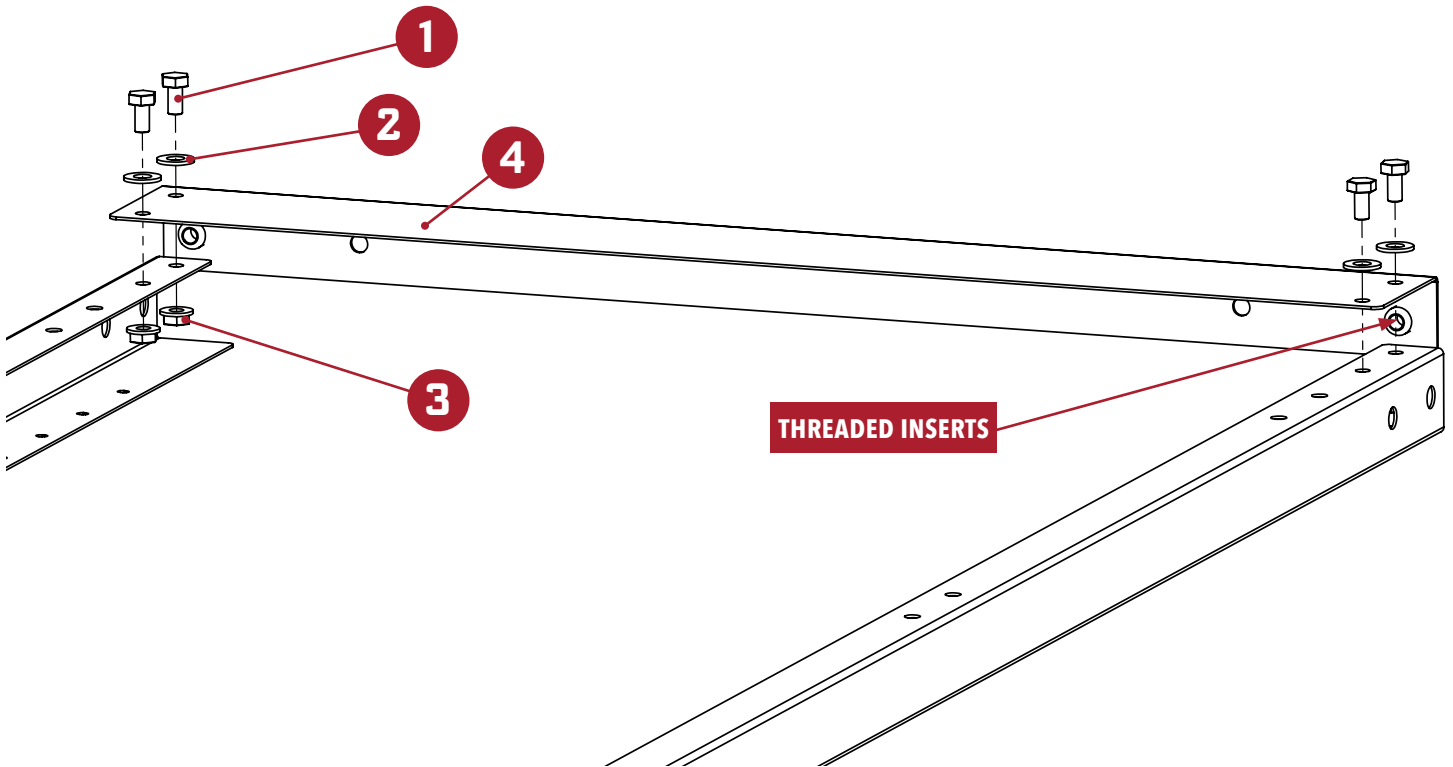
IMPORTANT: BE SURE ALL PARTS ARE ENCLOSED BEFORE ASSEMBLING.



STEP 1

TAG	ITEM	DESCRIPTION	QTY.
1	PRHD-HC1/4NC1/2GR5ZC	1/4" X 1/2" HEX CAP SCREW	4
2	PRHD-WA1/4USSGR5ZC	1/4" USS FLAT WASHER	4
3	PRHD-FLN1/4NCGR5ZC	1/4" FLANGED NUT	4
4	MFPD-RHCRTSID	RH CART SIDE PANEL (THREADED)	1

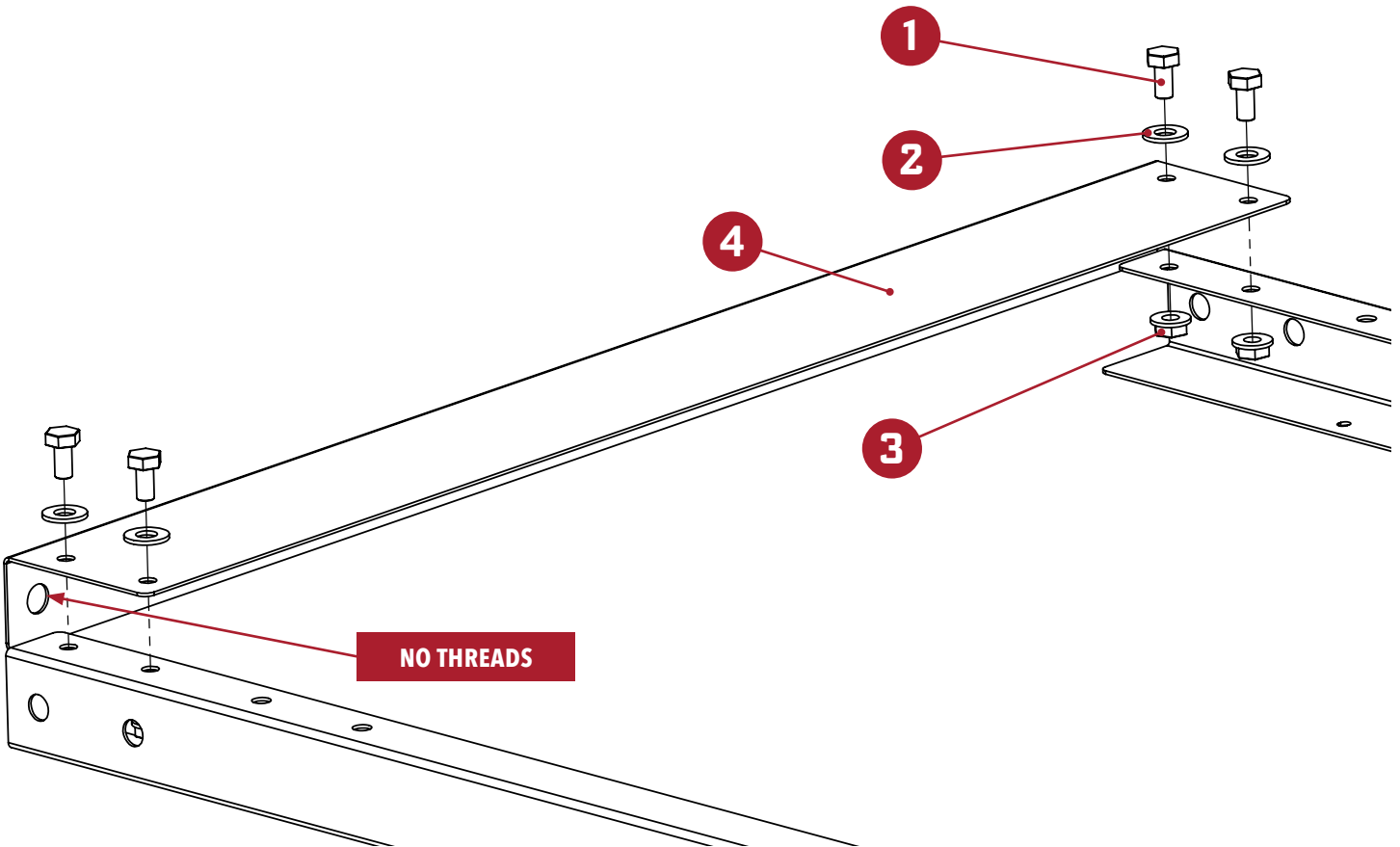
Attach the lower side cross bars to the uprights in the four mounting points shown below. Ensure that you are attaching the crossbar that has the threaded inserts at this step. The uprights can be installed on both the left- and right-hand sides.



STEP 2

TAG	ITEM	DESCRIPTION	QTY.
1	PRHD-HC1/4NC1/2GR5ZC	1/4" X 1/2" HEX CAP SCREW	4
2	PRHD-WA1/4USSGR5ZC	1/4" USS FLAT WASHER	32
3	PRHD-FLN1/4NCGR5ZC	1/4" FLANGED NUT	40
4	MFPD-RHCRTSID	RH CART SIDE PANEL (NO THREADS)	20

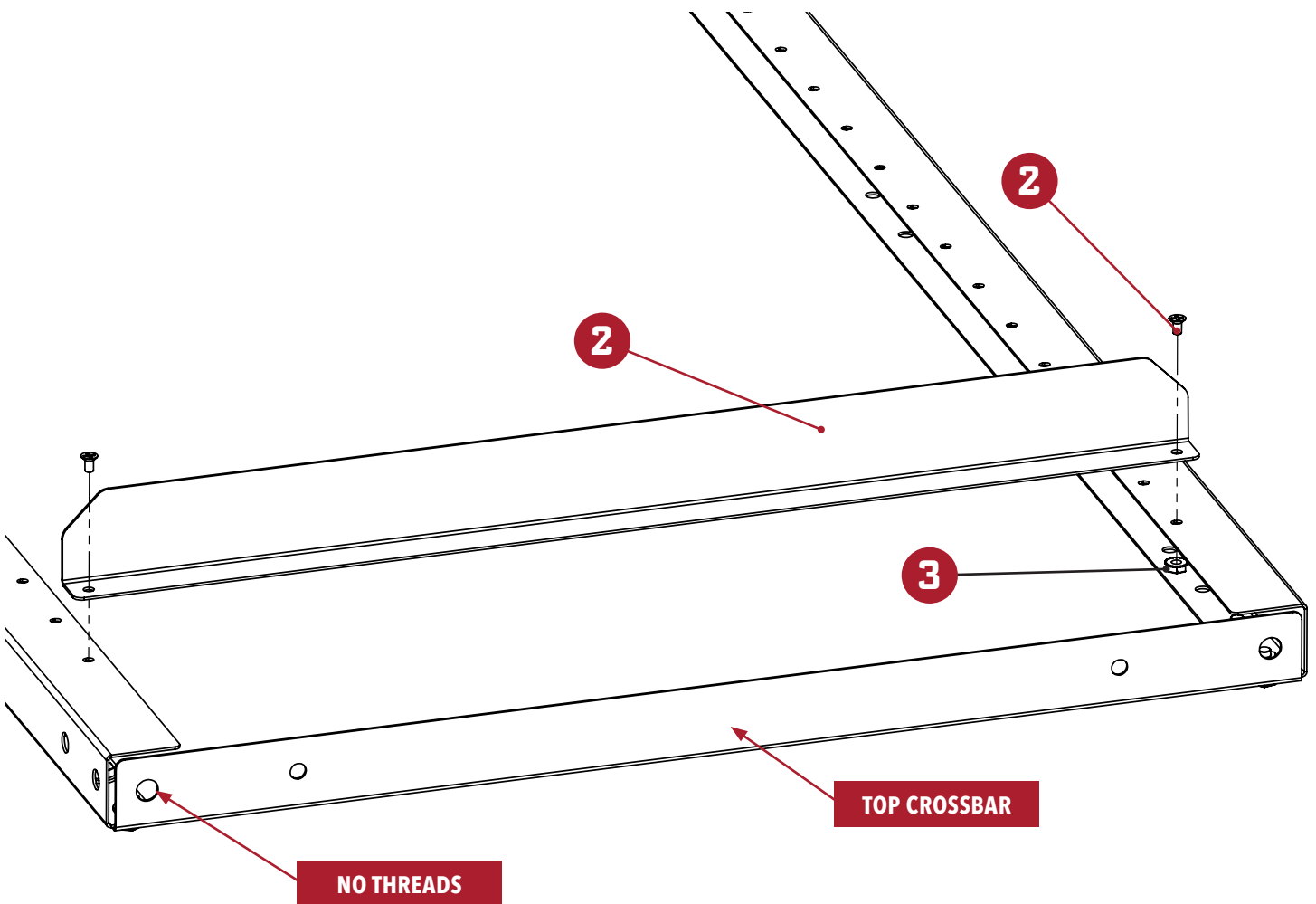
Attach the upper side cross bars to the uprights in the four mounting points shown below. Ensure that you are attaching the crossbar that **DO NOT** have threaded inserts at this step.



STEP 3

TAG	ITEM	DESCRIPTION	QTY.
1	PRHD-SCM#8NF5/16PH	#8-32 X 5/16 FLAT SCREW	4 PER SCREEN SLOT
2	PRHD-KN#8NF	#8-32 KEPS NUT	4 PER SCREEN SLOT
3	MFPB-BASERKSLT	BASELAYR RACK SCREEN HOLDING SLAT	2 PER SCREEN SLOT

Attach the screen holding slats. It is recommended to install one slat at a time to ensure you have ample room to install hardware. Start the slat installation with a hand screwdriver. Hold the lock nut in place with your finger until it is snug and grabs the metal. Once the nut no longer moves freely, fully tighten the screws. Repeat steps 1-3 for the opposite side panel.

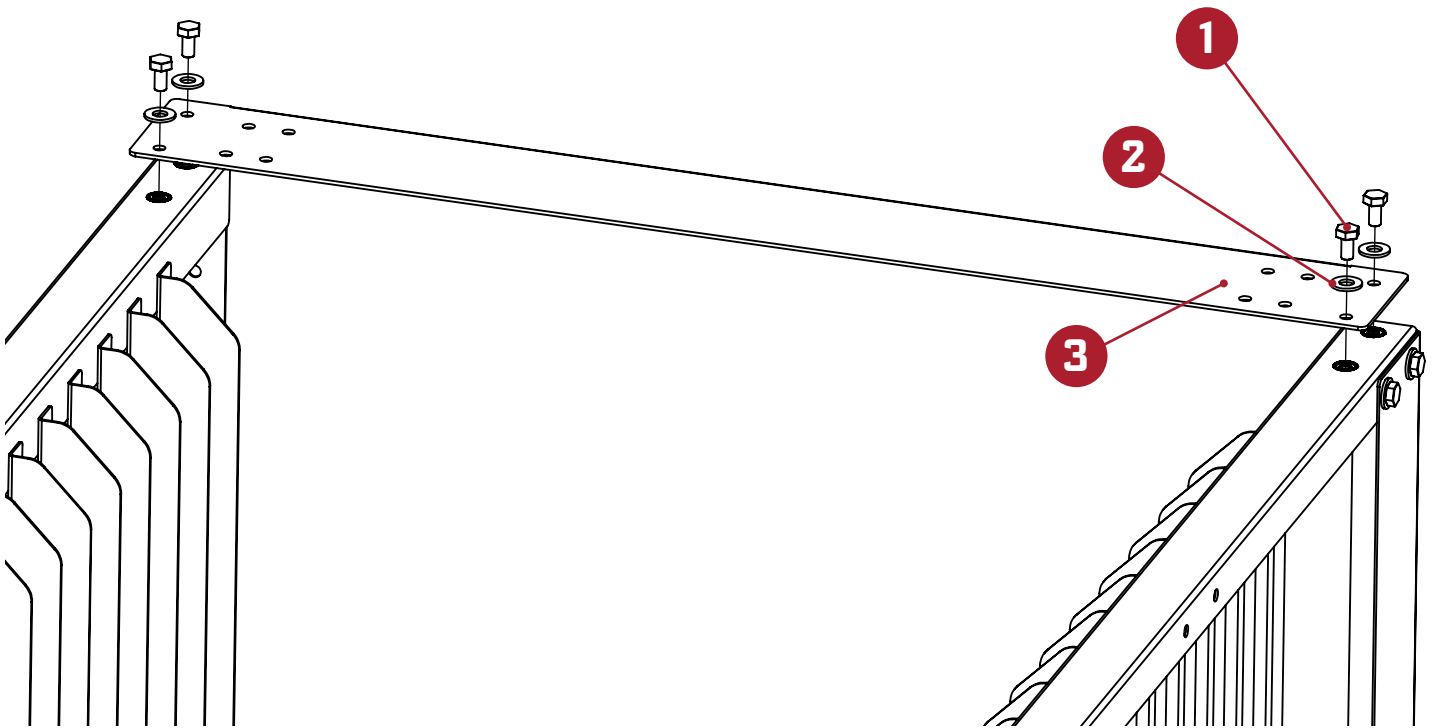


STEP 4

TAG	ITEM	DESCRIPTION	QTY.
1	PRHD-HC1/4NC1/2GR5ZC	LOWER CART CORNER GUSSETS	4
2	PRHD-WA1/4USSGR5ZC	1/4" USS FLAT WASHER	32
3	MFPD-RHCRTTOP	1/4" X 1/2" HEX CAP SCREW	40

Attach the upper, lower, front, and rear crossbars. This part is used in all four locations. The screen rack will have extra hole cutouts in the parts that can be used for attachments that are purchased separately.

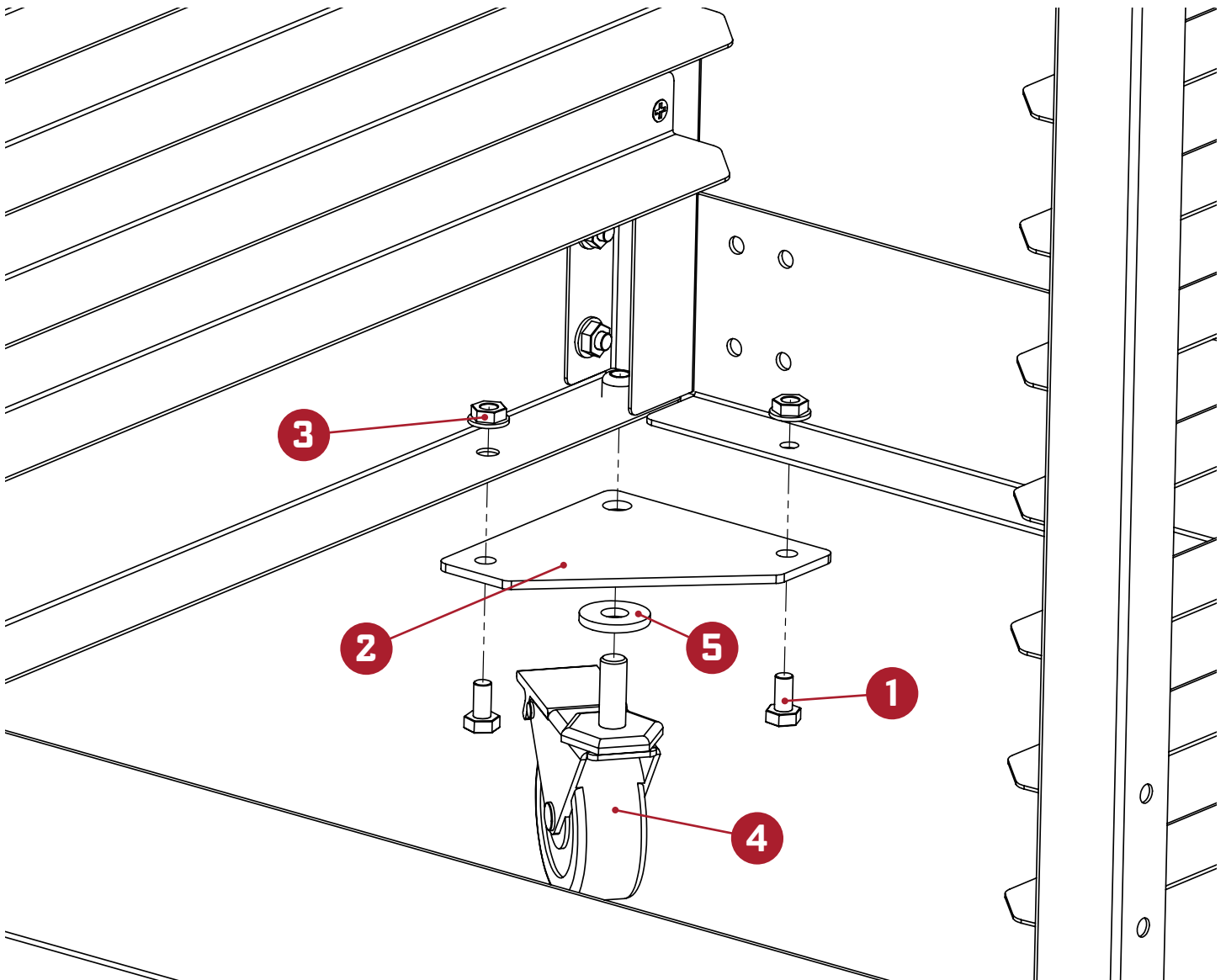
NOTE: Not all holes are used during screen rack assembly.



STEP 5

TAG	ITEM	DESCRIPTION	QTY.
1	PRHD-HC1/4NC1/2GR5ZC	1/4" X 1/2" HEX CAP SCREW	2
2	MFZC-RHCRTGST	LOWER CART CORNER GUSSETS	1
3	PRHD-FLN1/4NCGR5ZC	1/4" FLANGED NUT	2
4	MFCO-CSTR2X3/8ML	2-1/2" LOCKING CASTER	1
5	MFCO-CSTRSPCR	3/16" CASTER SPACER	1

Attach the lower support gussets with 1/4" hardware. Install the swivel caster with spacer as shown. Fully tighten the caster with pliers or a crescent wrench to ensure the wheel does not loosen over time.



BASELAYR DARKROOM EQUIPMENT

LIMITED WARRANTY

While we take pride in our quality and do our best to ensure your satisfaction, Baselayr/Ryonet® does not assume any liability for damages, whether consequential or incidental, that may result from the misuse of the below-stated specifications.

GENERAL PROVISIONS: The warranties described below apply ONLY to the original purchasers of new Baselayr racks from Ryonet®, purchased on or after April 20, 2013. Under these warranties, Ryonet® will repair or replace, as Ryonet® elects, covered defective parts, materials, or workmanship without charge for parts or the reasonable cost of labor-related thereto. Ryonet® will use only new or re-manufactured parts or components furnished by Ryonet® or a Ryonet®-authorized third party.

WARRANTY DURATION: A lifetime warranty shall apply to covered Baselayr parts, components, and materials as set forth below.

WHAT IS COVERED: This warranty covers all non-wearable parts, non-wearable components, and non-wearable materials of new Baselayr racks. HOWEVER, the following items are excluded from the scope of this warranty: expendable parts (including but not limited to bearings, springs, nylon bolts, oilites, and fasteners). FURTHER, Ryonet® does not warrant failure of parts or components resulting from misuse or lack of proper maintenance, or improper installation.

WHAT IS NOT COVERED: Installation, inspection, and routine maintenance costs are the sole responsibility of the purchaser; used equipment; any equipment modified or altered in any way not approved by Ryonet® in writing including, but not limited to, disassembling bearing components; routine maintenance and lubrication; consequences of negligence, misuse, accident, or improper application, installation, or storage of the press; consequences of any service performed by someone other than a Ryonet®-authorized provider.

SECURING WARRANTY SERVICE: Warranty service must be requested from the nearest Ryonet® location. At the time of requesting warranty service, the person or entity requesting warranty service must be prepared to present evidence that it was the original purchaser of the Baselayr rack(s). Written authorization must be obtained from Ryonet® before any part will be accepted. In order to return such defective parts, contact Ryonet® to return such part freight prepaid. Replacement parts are sent out for freight collection. Parts sent out prior to receiving defective part will be sent C.O.D., cost plus freight. Upon return of defective part, if it is deemed that the parts was not damaged by the customer but failed, the cost of the replacement part will be refunded.

BASELAYR DARKROOM EQUIPMENT

LIMITED WARRANTY

NO REPRESENTATIONS OR IMPLIED WARRANTIES: WHERE PERMITTED BY LAW, RYONET® NOR ANY RYONET® AFFILIATE MAKES ANY GUARANTEES, WARRANTIES, CONDITIONS, REPRESENTATIONS, EXPRESS OR IMPLIED PROMISES, ORAL OR WRITTEN, AS TO THE NONOCCURRENCE OF ANY DEFECT, THE QUALITY, OR PERFORMANCE OF BASELAYR RACKS OTHER THAN THOSE SET FORTH HEREIN. FURTHER, RYONET® NOR ITS AFFILIATES DO NOT MAKE ANY IMPLIED WARRANTIES OR CONDITIONS OF MERCHANTABILITY OR FITNESS OTHERWISE PROVIDED BY THE UNIFORM COMMERCIAL CODE OR REQUIRED BY LAW TO THE FULLEST EXTENT PROVIDED BY LAW EXCEPT AS SET FORTH HEREIN.

LIMITATION OF LIABILITY: The remedies set forth in this warranty are the purchaser's exclusive remedies in connection with the performance of, or any breach of any guarantee, condition, or warranty with respect to any new Baselayr racks. In the event the above warranty fails to correct the purchaser's performance problems caused by defects in workmanship and/or materials, the purchaser's exclusive remedy shall be limited to payment for actual damages in an amount not to exceed the cost of the press.

IN NO EVENT SHALL RYONET® OR ANY AFFILIATE OF RYONET® BE LIABLE FOR INCIDENTAL OR CONSEQUENTIAL DAMAGES FOR INJURIES TO THE FULLEST EXTENT PROVIDED BY LAW, INCLUDING BUT NOT LIMITED TO, LOSS OF PROFITS, LOSS OF MERCHANDISE, SUBSTITUTION, OR OTHER COMMERCIAL LOSS, FOR DAMAGE SUFFERED BY PURCHASER ARISING FROM A BASELAYR SCREEN RACK, UNLESS SUCH DAMAGES OR INJURIES ARE CAUSED BY THE GROSS NEGLIGENCE OR INTENTIONAL ACTS OF RYONET®. RYONET® FURTHER DISCLAIMS ALL LIABILITY FOR BODILY INJURIES TO THE FULLEST EXTENT PROVIDED BY LAW.

NO SELLER'S WARRANTY: No person or entity, other than Ryonet®, who sells the Baselayr rack has the authority to make any guarantee, representation, promise, or warranty with respect to any Baselayr screen rack unless the person or entity delivers to the purchaser a separate written guaranty certificate specifically guaranteeing the press, in which case Ryonet® shall have no obligation to the purchaser. Neither original Baselayr manufacturers, distributors, or dealers, nor any other person or entity, has any authority to make any representation or promise on behalf of Ryonet® or to modify the terms or limitations of this warranty in any way.

ADDITIONAL INFORMATION

For additional information concerning the Baselayr/Ryonet® limited warranty, contact support@ryonet.com or 1-360-576-7188.

