



Assembly Instructions

Riley FLASH

RILEY FLASH 16X16 & 18X18



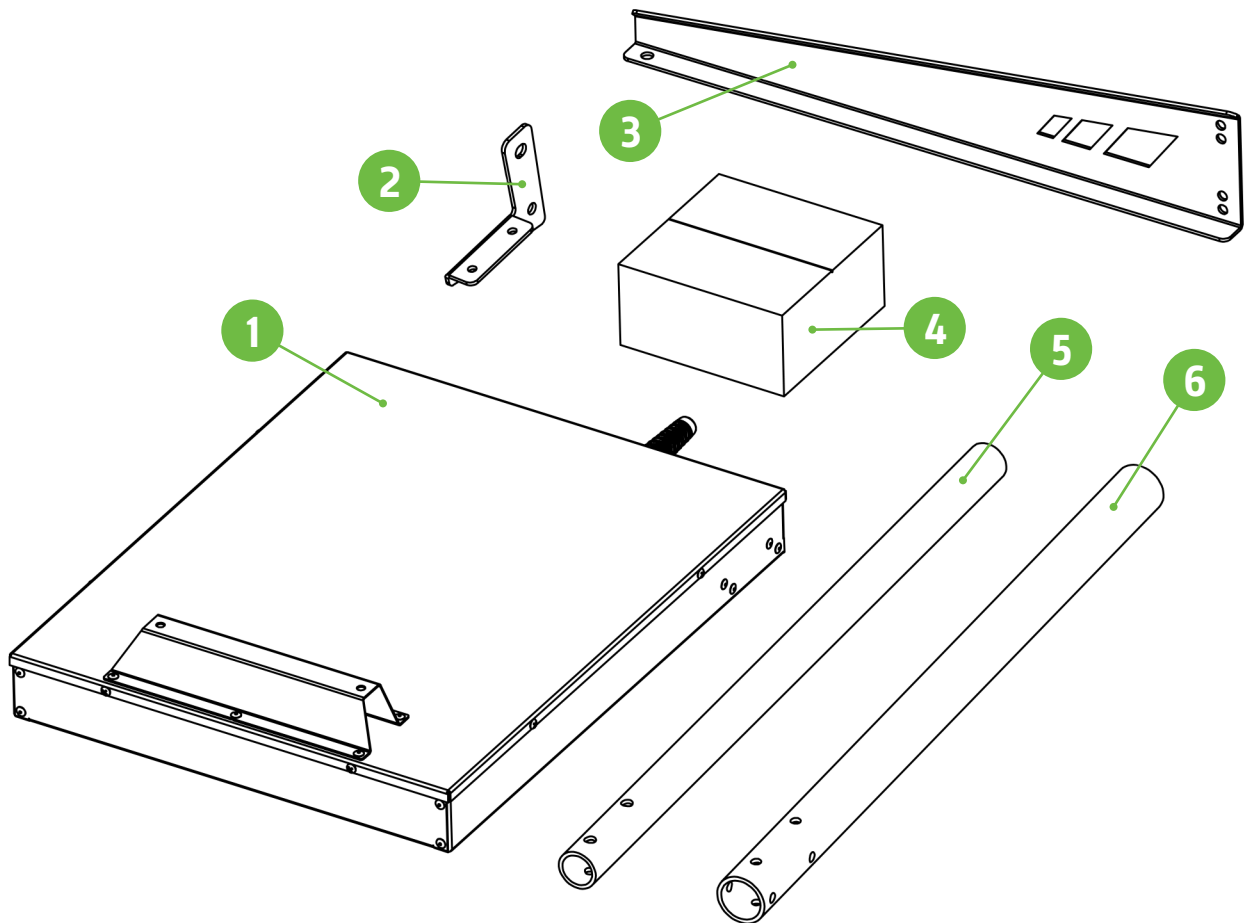
Riley Hopkins



Tools Required: • (x1) 7/16" Wrench • (x1) 9/16" wrench

What's in the box

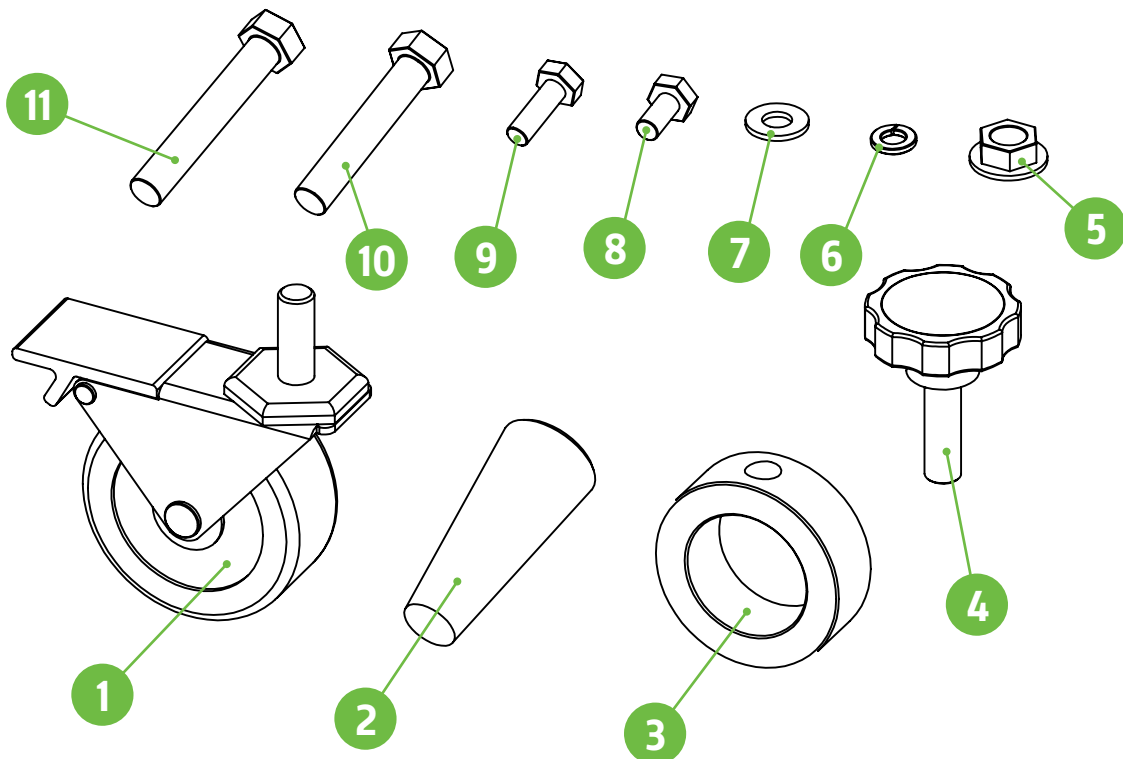
Tag	Item	Qty.
1	Main flash panel assembly	1
2	ZINC ATTACHMENT BRACKETS (RH & LH)	2
3	LOWER STAND LEGS	4
4	Hardware Kit	1
5	UPPER STAND UPRIGHT POLE	1
6	LOWER STAND UPRIGHT POLE	1



MFSA-RHFLASH-KIT

Riley Hopkins 16x16 & 18x18 flash dryer hardware kit

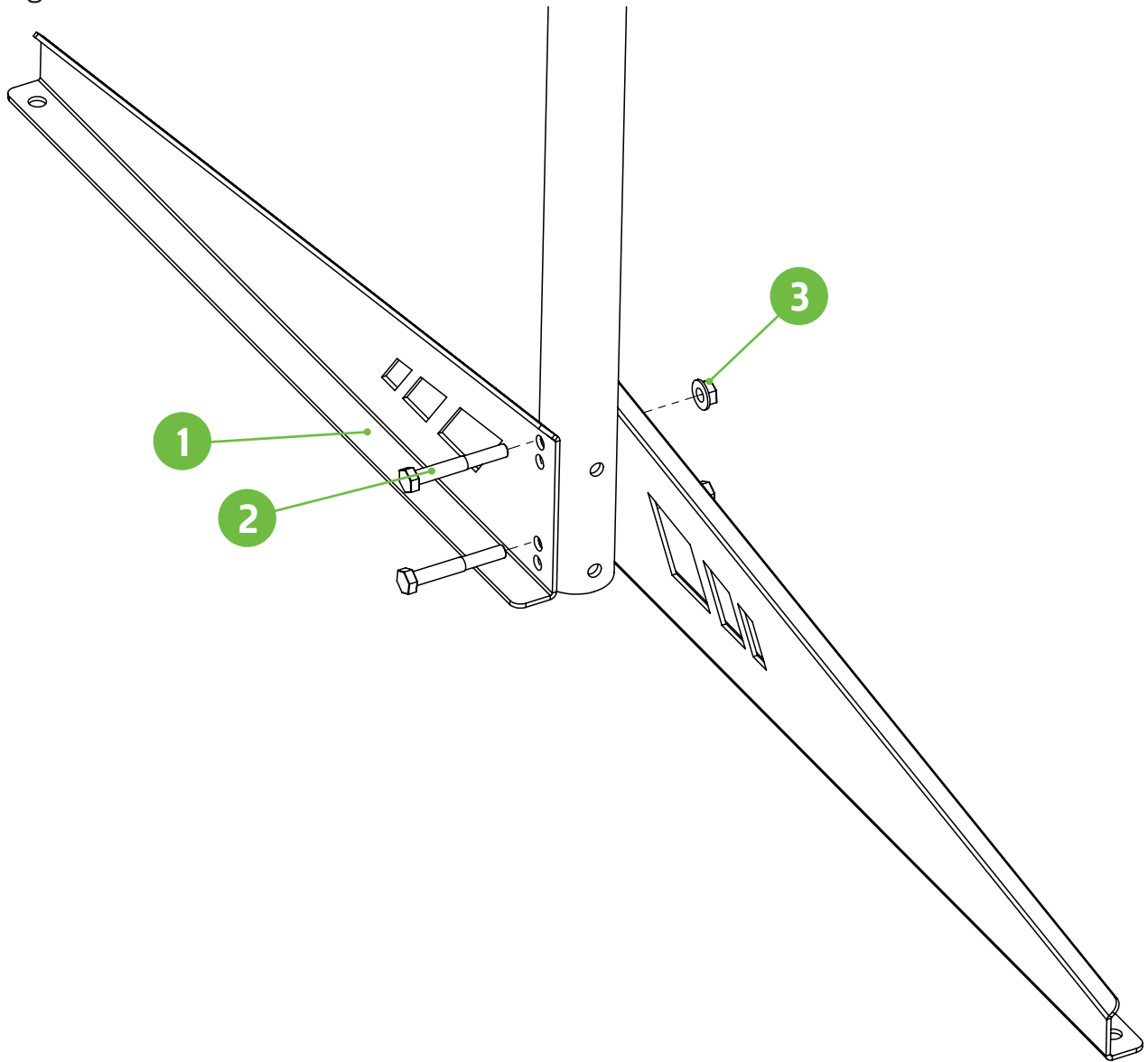
Tag	Item	Description	Qty.
1	MFCO-CSTR2X3/8ML	Caster, Medium Duty 2" Wheel 3/8" Stud	4
2	MFCO-HANDLEVER	Hand Lever knob tapered 3" long	1
3	PRHD-CALR1INPIPE	1-3/8" id Locking Collar	1
4	PRCO-KNBFLT3/8NC1-1/4ML	Fluted bracket 3/8-16 x 1-1/4" Male Stud	1
5	PRHD-FLN3/8NCGR5ZC	3/8-16 Flanged Whiz Nut Zinc	10
6	PRHD-LWA1/4ZC	1/4 Split Lock Washer	5
7	PRHD-WA1/4USSGR5ZC	1/4 USS Flat Washer Zinc	4
8	PRHD-HC1/4NC1/2GR5	1/4-20 x 1/2 Hex Cap Screw Zinc	1
9	PRHD-HC1/4NC3/4GR5	1/4-20 x 3/4 Hex Cap Screw Zinc	4
10	PRHD-HC3/8NC2GR5ZC	3/8-16 x 2 Hex Cap Screw Grade 5 Zinc	2
11	PRHD-HC3/8NC2-1/4GR5ZC	3/8-16 x 2-1/4 Hex Cap Screw Grade 5 Zinc	4



Step 1

TAG	Item	Description	QTY.
1	MFPB-16X16FLFT	UNIVERSAL RILEY FLASH DRYER FEET-FORMED	4
2	PRHD-HC3/8NC2-1/4GR5ZC	3/8-16 X 2-1/4 HEX CAP SCREW GRADE 5 ZINC	4
3	PRHD-FLN3/8NCGR5ZC	3/8-16 FLANGED WHIZ NUT ZINC	4
4	MFPD-RHCRTSID	RH CART SIDE PANEL (THREADED)	1

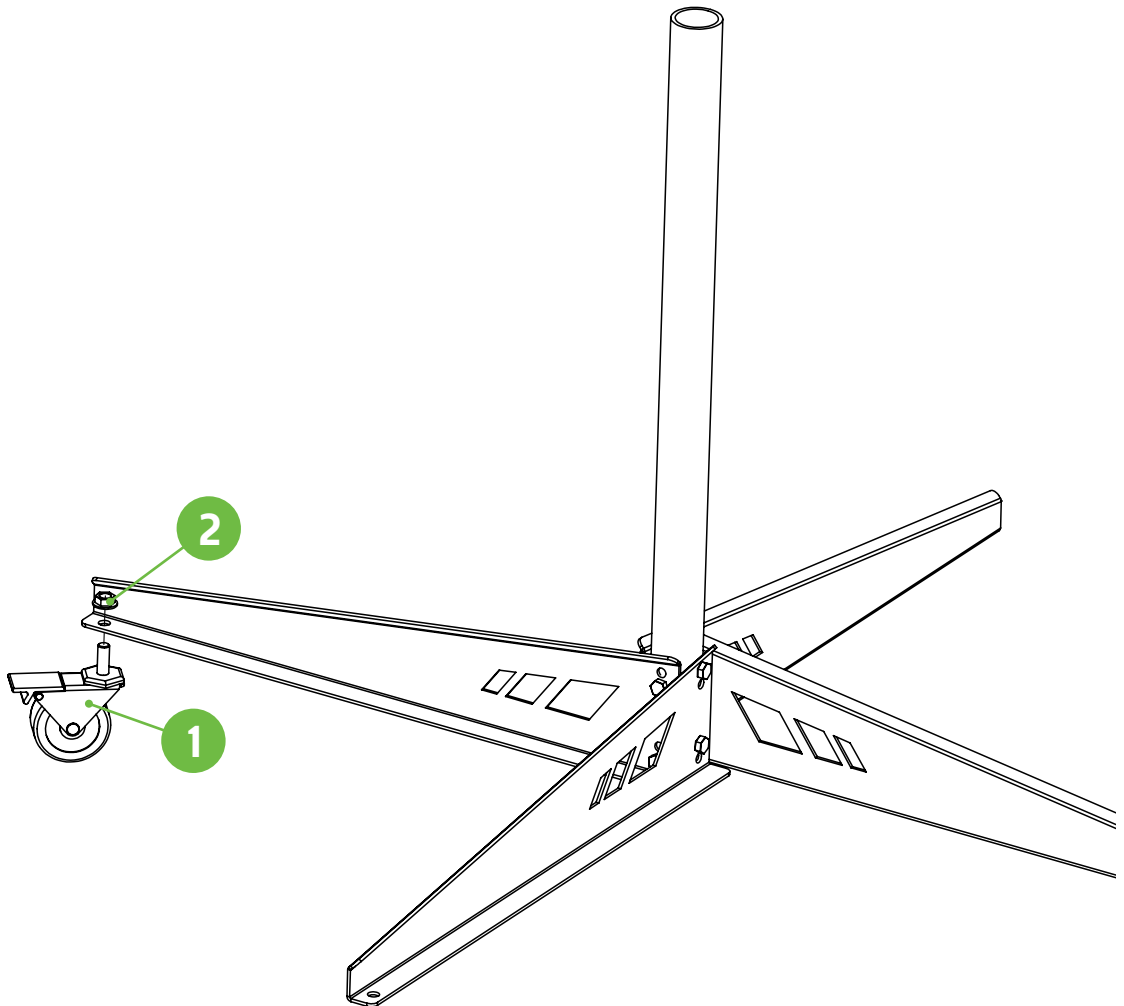
Attach the legs to the lower stand upright pole (four holes). Use the upper set of holes to attach two of the opposite legs as shown. Attach the other two legs using the lower sets of mounting holes with a 9/16" wrench.



Step 2

TAG	Item	Description	QTY.
1	MFCO-CSTR2X3/8ML	CASTER, MEDIUM DUTY 2" WHEEL 3/8" STUD	4
2	PRHD-FLN3/8NCGR5ZC	3/8-16 FLANGED WHIZ NUT ZINC	4

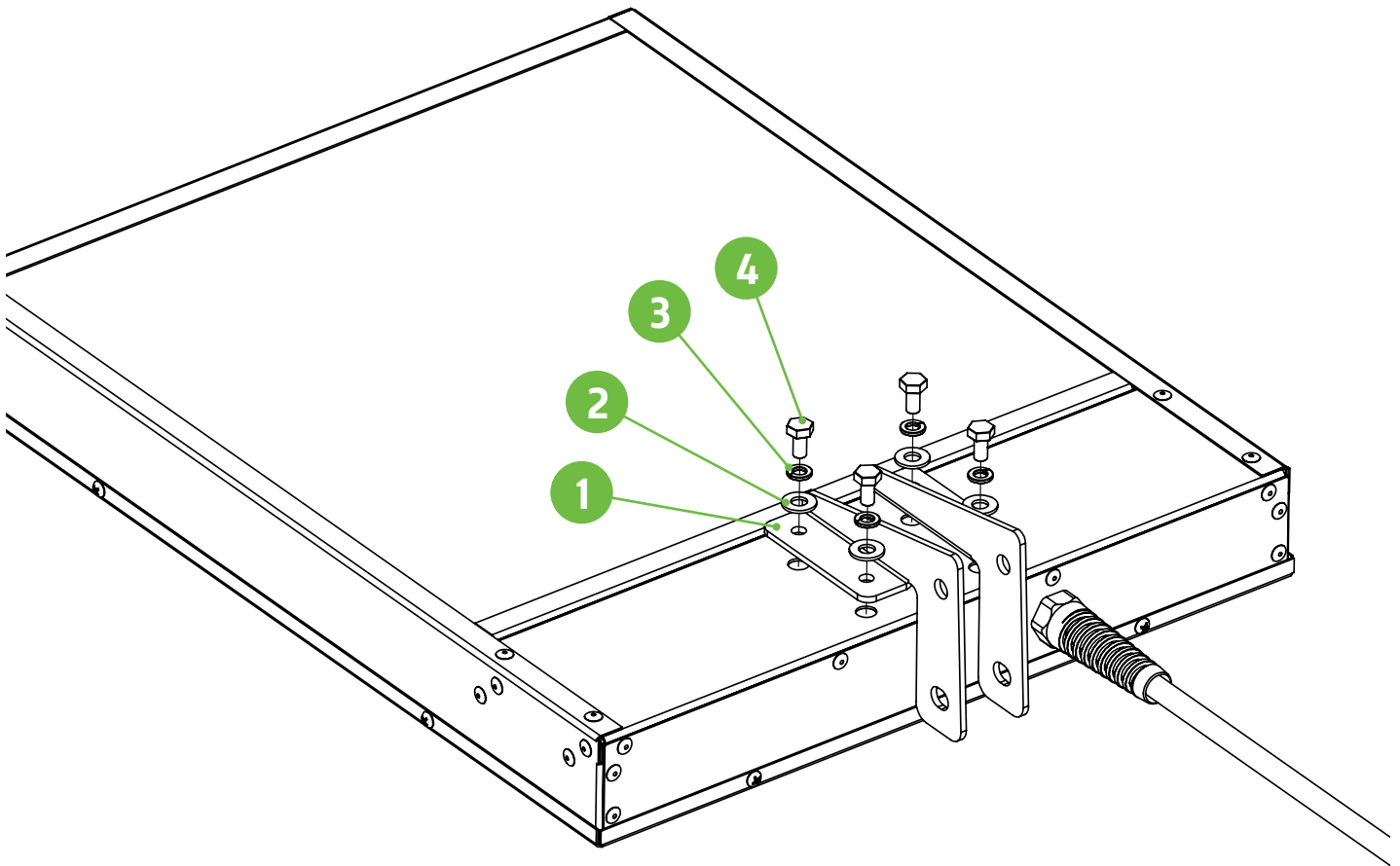
Attach the locking casters on all four of the mounting holes of the stand with a 9/16" wrench. The lower stand is completed.



Step 3

TAG	Item	Description	QTY.
1	MFZC-16X16FLBKT1 & 2	UNIVERSAL FLASH DRYER MOUNTING BRACKET (LH & RH)	2
2	PRHD-WA1/4USSGR5ZC	1/4 USS FLAT WASHER ZINC	4
3	PRHD-LWA1/4ZC	1/4 SPLIT LOCK WASHER	4
4	PRHD-HC1/4NC3/4GR5	1/4-20 X 3/4 HEX CAP SCREW ZINC	4

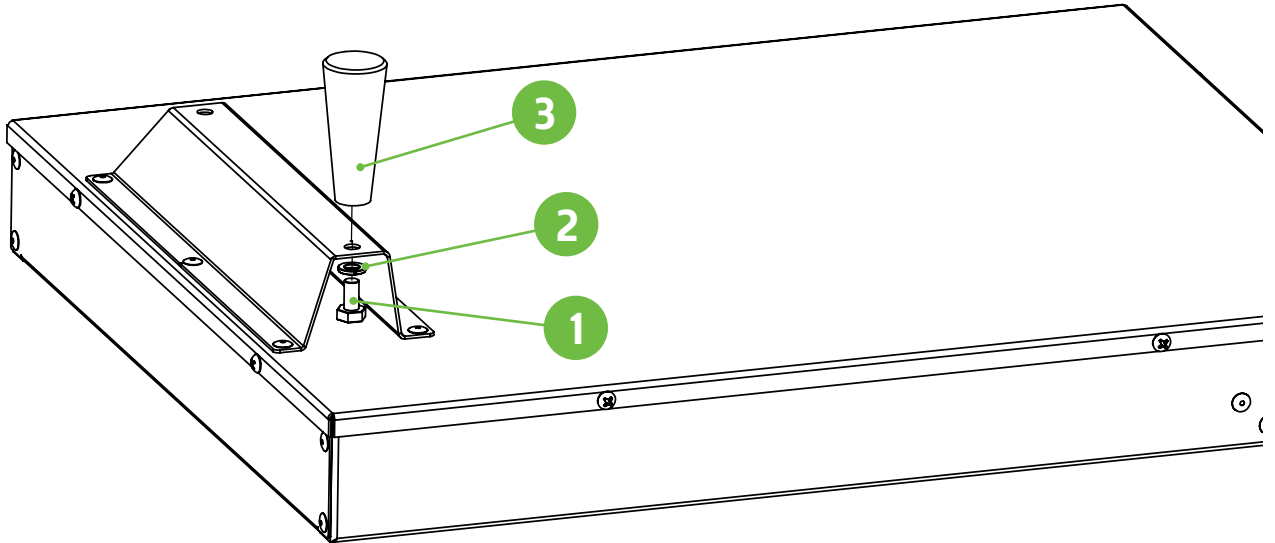
Install the left and right mounting brackets to the main flash panel assembly. Use a 7/16" wrench but do not fully tighten at this step.



Step 4

TAG	Item	Description	QTY.
1	PRHD-HC1/4NC1/2GR5	1/4-20 X 1/2 HEX CAP SCREW ZINC	1
2	PRHD-LWA1/4ZC	1/4 SPLIT LOCK WASHER	1
3	MFCO-HANDLEVER	HAND LEVER KNOB TAPERED 3" LONG	1

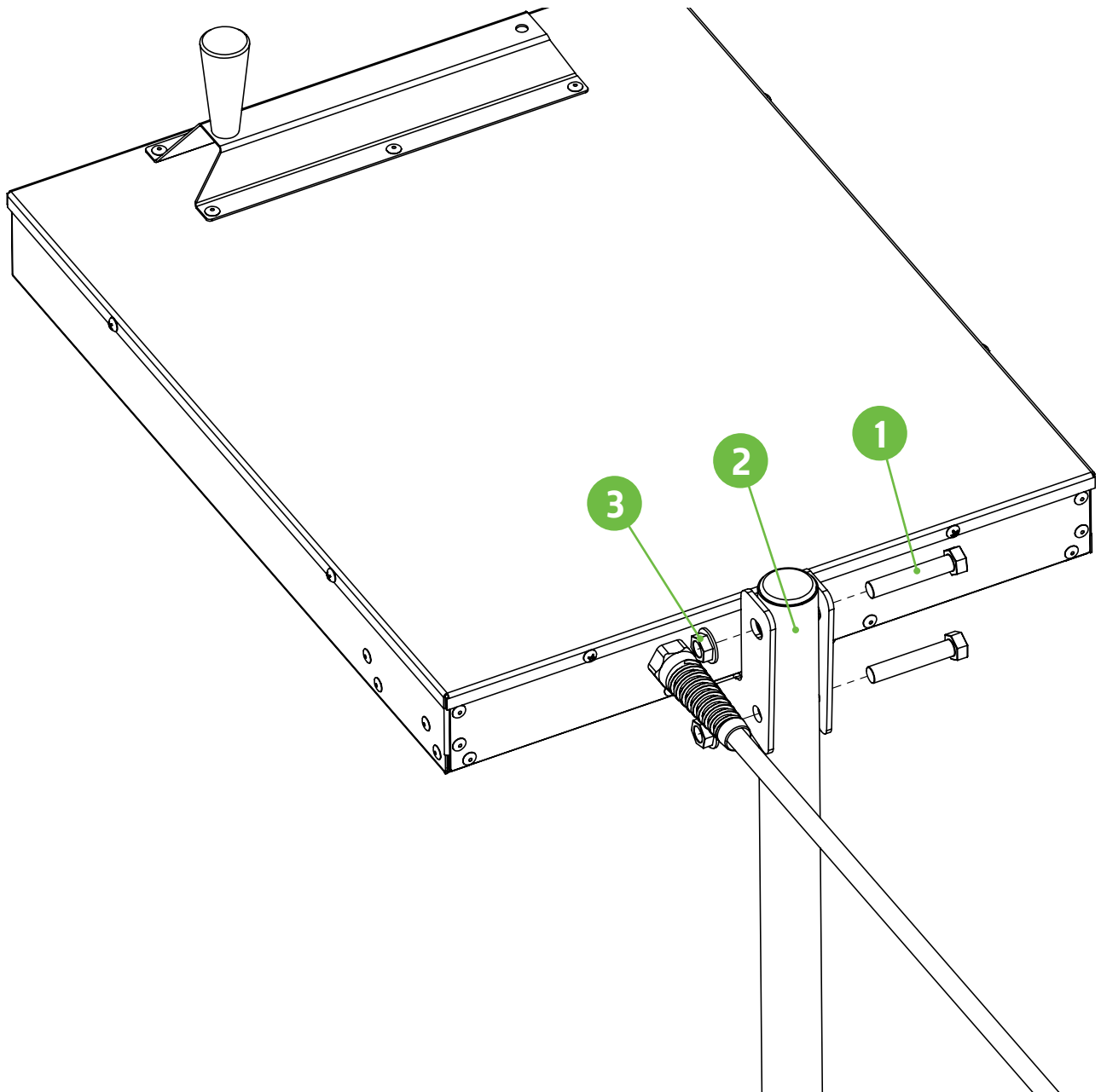
Install the hand lever on the desired side of the mounting channel. Install this based on which side of the press you are using the flash dryer and whether you are right- or left-handed. Use a 7/16" end wrench and fully tighten the knob.



Step 5

TAG	Item	Description	QTY.
1	MFMS-FLUPRTUBE	UPPER FLASH DRYER STAND TUBE	1
2	PRHD-HC1/4NC3/4GR5	1/4-20 X 3/4 HEX CAP SCREW ZINC	2
3	PRHD-FLN3/8NCGR5ZC	3/8-16 FLANGED WHIZ NUT ZINC	2

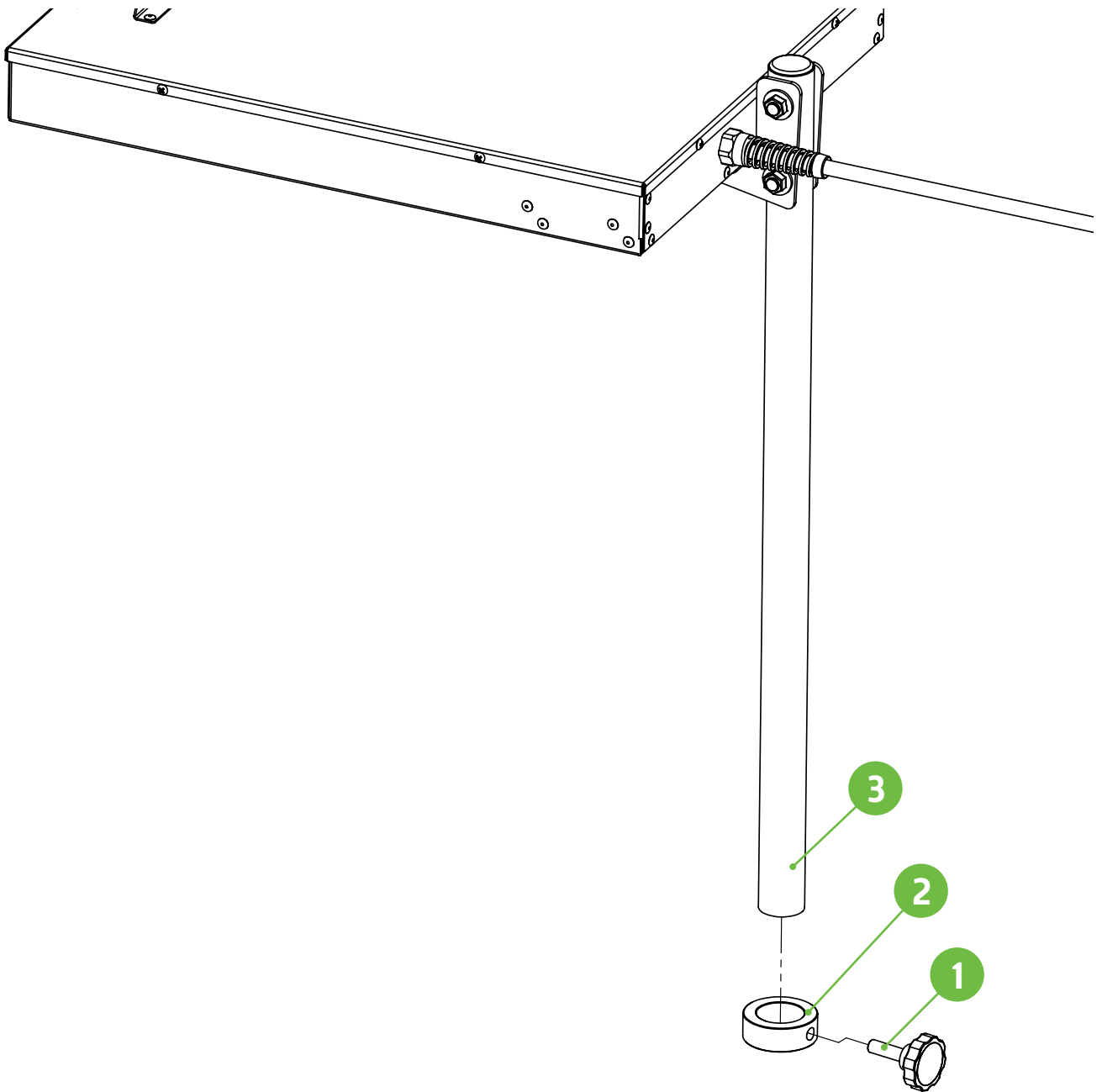
Attach the upper stand upright pole to the mounting brackets of the flash dryer with a 9/16" wrench. The upper holes of the bracket have adjustments to set the angle of the flash dryer. This can be adjusted at the final stage once installed into the lower stand assembly. Fully tighten the 7/16" hardware from step 3 after installing this set of hardware.



Step 6

TAG	Item	Description	QTY.
1	PRCO-KNBFLT3/8NC1-1/4ML	FLUTED BRACKET 3/8-16 X 1-1/4" MALE STUD	1
2	PRHD-CALR1INPIPE	1-3/8" ID LOCKING COLLAR	1
3	MFMS-FLUPRTUBE	UPPER FLASH DRYER STAND TUBE	1

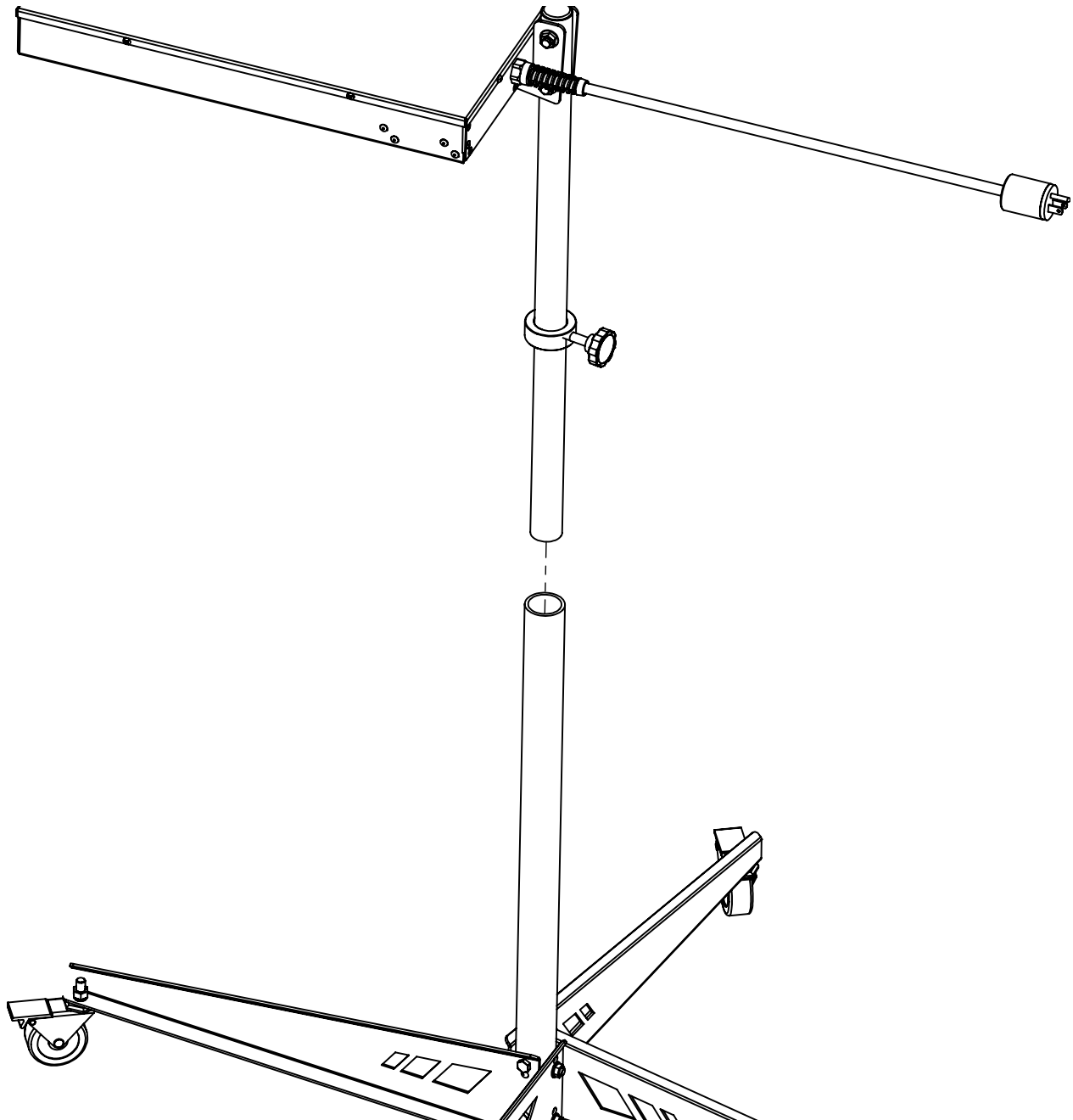
Install the locking collar and fluted knob to the upper stand pole. This will set the overall height of the flash dryer. This can be adjusted once at press to the desired distance from the platen.



Step 7

Slide the upper flash assembly into the lower stand assembly. Make any final adjustments to the overall height of the flash dryer. Once at press, you can also make any adjustments needed to the tilt angle of the flash panel. Plug the unit into a standard 110v 15 amp outlet to begin use.

**NOTE: UNPLUG FLASH DRYER WHEN NOT IN USE.
DO NOT LEAVE THE UNIT UNATTENDED WHILE UNDER POWER.**



LIMITED WARRANTY

While we take pride in our quality and do our best to ensure your satisfaction, Riley Hopkins™/Ryonet® does not assume any liability for damages, whether consequential or incidental, that may result from the misuse of the below-stated specifications.

GENERAL PROVISIONS: The warranties described below apply ONLY to the original purchasers of new Riley Hopkins™ Flash Dryers from Ryonet®, purchased on or after April 20, 2013. Under these warranties, Ryonet® will repair or replace, as Ryonet® elects, covered defective parts, materials, or workmanship without charge for parts or the reasonable cost of labor related to it. Ryonet® will use only new or re-manufactured parts or components furnished by Ryonet® or a Ryonet®-authorized third party.

WARRANTY DURATION: A lifetime warranty shall apply to covered Riley Hopkins™ flash dryers, parts, components, and materials as set forth below.

WHAT IS COVERED: This warranty covers all non-wearable parts, non-wearable components, and non-wearable materials of new Riley Hopkins™ carts. HOWEVER, the following items are excluded from the scope of this warranty: expendable parts (including but not limited to bearings, springs, nylon bolts, oilites, and fasteners). FURTHER, Ryonet® does not warrant failure of parts or components resulting from misuse or lack of proper maintenance, or improper installation.

WHAT IS NOT COVERED: Installation, inspection, and routine maintenance costs are the sole responsibility of the purchaser; used equipment; any equipment modified or altered in any way not approved by Ryonet® in writing including, but not limited to, disassembling bearing components; routine maintenance and lubrication; consequences of negligence, misuse, accident, or improper application, installation, or storage of the press; consequences of any service performed by someone other than a Ryonet®-authorized provider.

SECURING WARRANTY SERVICE: Warranty service must be requested from the nearest Ryonet® location. At the time of requesting warranty service, the person or entity requesting warranty service must be prepared to present evidence that it was the original purchaser of the Riley Hopkins™ flash dryer(s). Written authorization must be obtained from Ryonet® before any part will be accepted. In order to return such defective parts, contact Ryonet® to return such part freight prepaid. Replacement parts are sent out for freight collection. Parts sent out prior to receiving the defective parts will be sent C.O.D., cost plus freight. Upon return of the defective parts, if it is deemed that the parts were not damaged by the customer but failed, the cost of the replacement part will be refunded.

NO REPRESENTATIONS OR IMPLIED WARRANTIES: WHERE PERMITTED BY LAW, RYONET® NOR ANY RYONET® AFFILIATE MAKES ANY GUARANTEES, WARRANTIES, CONDITIONS, REPRESENTATIONS, EXPRESS OR IMPLIED PROMISES, ORAL OR WRITTEN, AS TO THE NONOCCURRENCE OF ANY DEFECT, THE QUALITY, OR PERFORMANCE OF RILEY HOPKINS™ FLASH DRYERS OTHER THAN THOSE SET FORTH HEREIN. FURTHER, RYONET® NOR ITS AFFILIATES DO NOT MAKE ANY IMPLIED WARRANTIES OR CONDITIONS OF MERCHANTABILITY OR FITNESS OTHERWISE PROVIDED BY THE UNIFORM COMMERCIAL CODE OR REQUIRED BY LAW TO THE FULLEST EXTENT PROVIDED BY LAW EXCEPT AS SET FORTH HEREIN.

LIMITATION OF LIABILITY: The remedies set forth in this warranty are the purchaser's exclusive remedies in connection with the performance of, or any breach of any guarantee, condition, or warranty with respect to any new Riley Hopkins™ flash dryers. In the event the above warranty fails to correct the purchaser's performance problems caused by defects in workmanship and/or materials, the purchaser's exclusive remedy shall be limited to payment for actual damages in an amount not to exceed the cost of the flash dryer.

IN NO EVENT SHALL RYONET® OR ANY AFFILIATE OF RYONET® BE LIABLE FOR INCIDENTAL OR CONSEQUENTIAL DAMAGES FOR INJURIES TO THE FULLEST EXTENT PROVIDED BY LAW, INCLUDING BUT NOT LIMITED TO, LOSS OF PROFITS, LOSS OF MERCHANDISE, SUBSTITUTION, OR OTHER COMMERCIAL LOSS, FOR DAMAGE SUFFERED BY PURCHASER ARISING FROM A RILEY HOPKINS™ FLASH DRYER, UNLESS SUCH DAMAGES OR INJURIES ARE CAUSED BY THE GROSS NEGLIGENCE OR INTENTIONAL ACTS OF RYONET®. RYONET® FURTHER DISCLAIMS ALL LIABILITY FOR BODILY INJURIES TO THE FULLEST EXTENT PROVIDED BY LAW.

NO SELLER'S WARRANTY: No person or entity, other than Ryonet®, who sells the Riley Hopkins™ flash dryer has the authority to make any guarantee, representation, promise, or warranty with respect to any Riley Hopkins™ cart unless the person or entity delivers to the purchaser a separate written guaranty certificate specifically guaranteeing the flash dryer, in which case Ryonet® shall have no obligation to the purchaser. Neither original Riley Hopkins™ manufacturers, distributors, or dealers, nor any other person or entity, has any authority to make any representation or promise on behalf of Ryonet® or to modify the terms or limitations of this warranty in any way.

ADDITIONAL INFORMATION

For additional information concerning the Riley Hopkins™/Ryonet® limited warranty, contact support@ryonet.com or 1-360-576-7188.