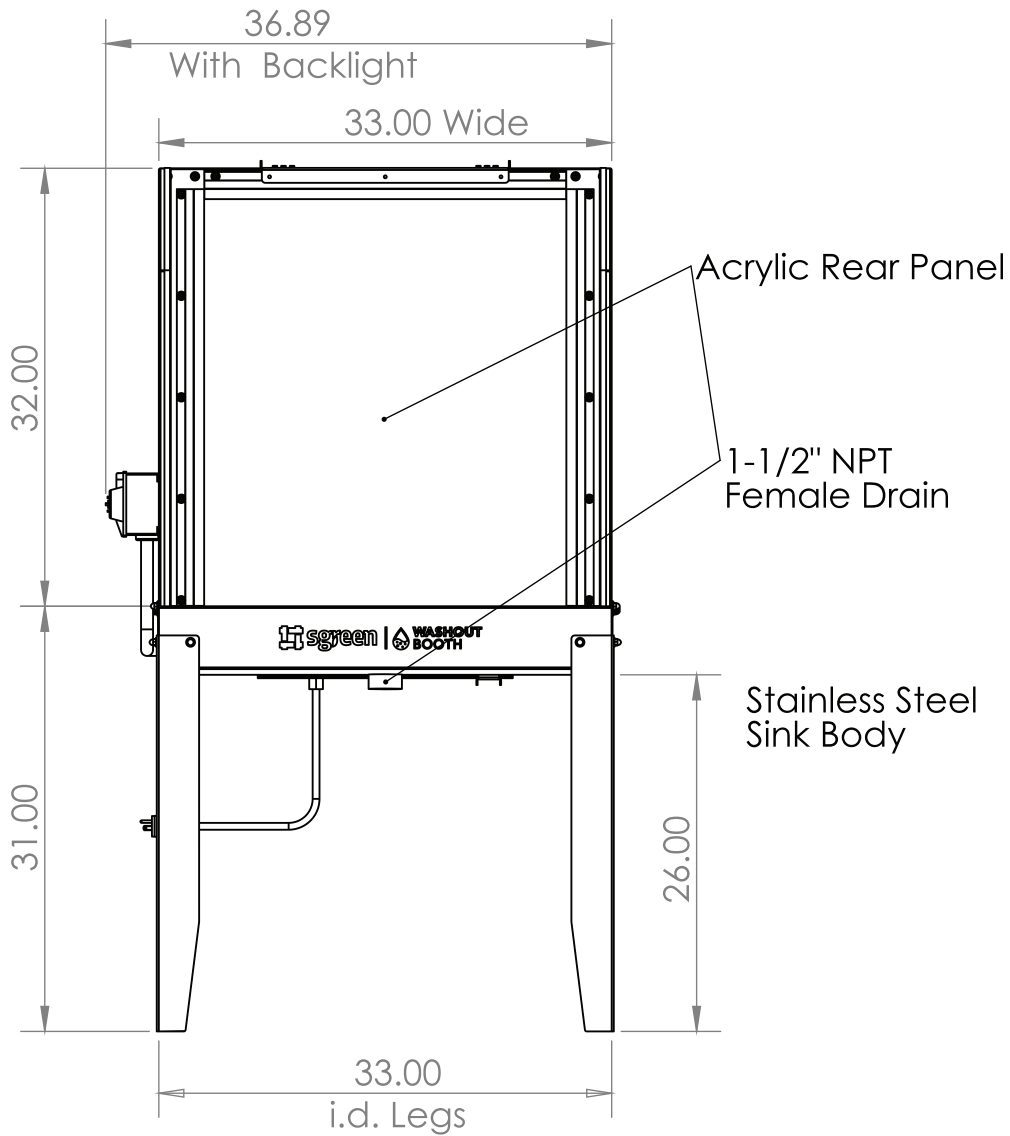


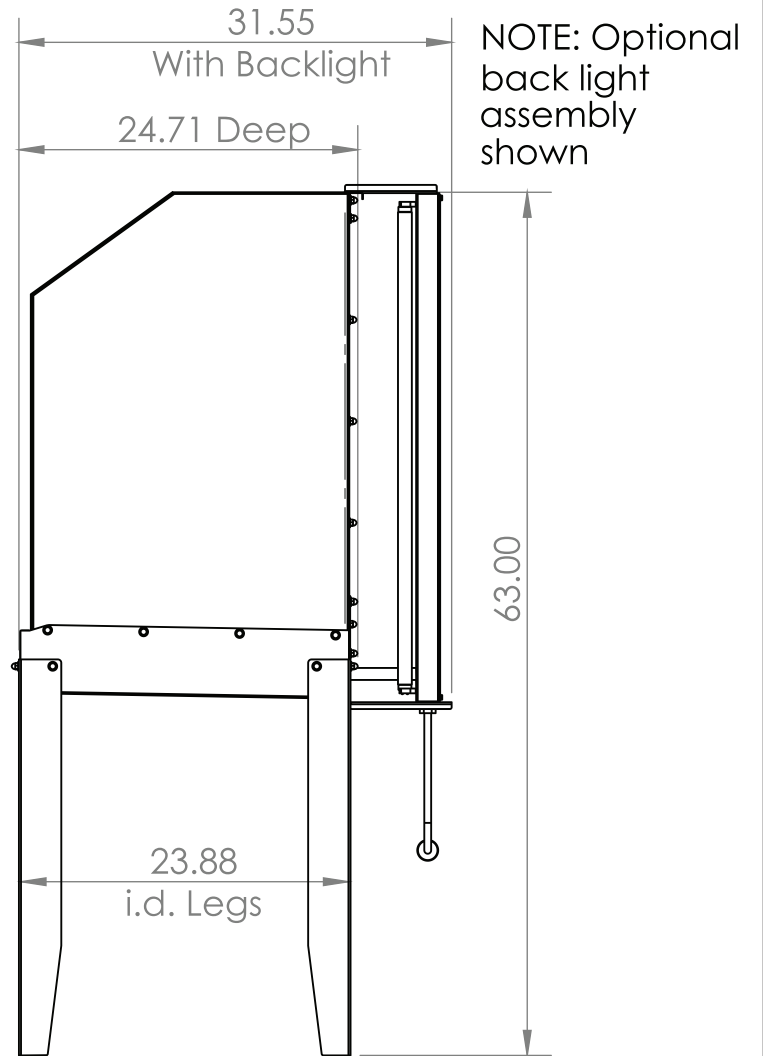
33" SGREEN Washout Booth (Shown with optional back lighting)

B



**Front View**

1



**Side View**



2

1

B

A