

# Riley Hopkins

## PRODUCT CATALOG | 2022



 INTERACTIVE  
HYPERLINKS INSIDE

# Riley Hopkins 150 SERIES

Side hustles are becoming more and more common as folks realize the traditional 9 to 5 doesn't cut it any longer. We all yearn for new ways to pursue our passions, buy the things we need or want, and lower our financial worries. It doesn't take long once you calculate the cost of your living expenses to realize that there is barely anything leftover at the end of the month, which is not cool, at all.

The traditional work schedule is not enough to live the life you dream about. Are you ready to invest in yourself?

Our presses are all manufactured, right here in Vancouver, WA, by our in-house team of master press builders.

## 150 - 1X1

### FEATURES:

- 1 Color 1 Station Printing Press
- Platen Height: 4.5" (31 cm)
- Platen Size: 16"x16 with neck
- Max Frame Size: 23"x31"
- Base Configuration: Table Top
- Footprint (with 16x16 Platen): 20"x40"
- Weight: 28 lbs



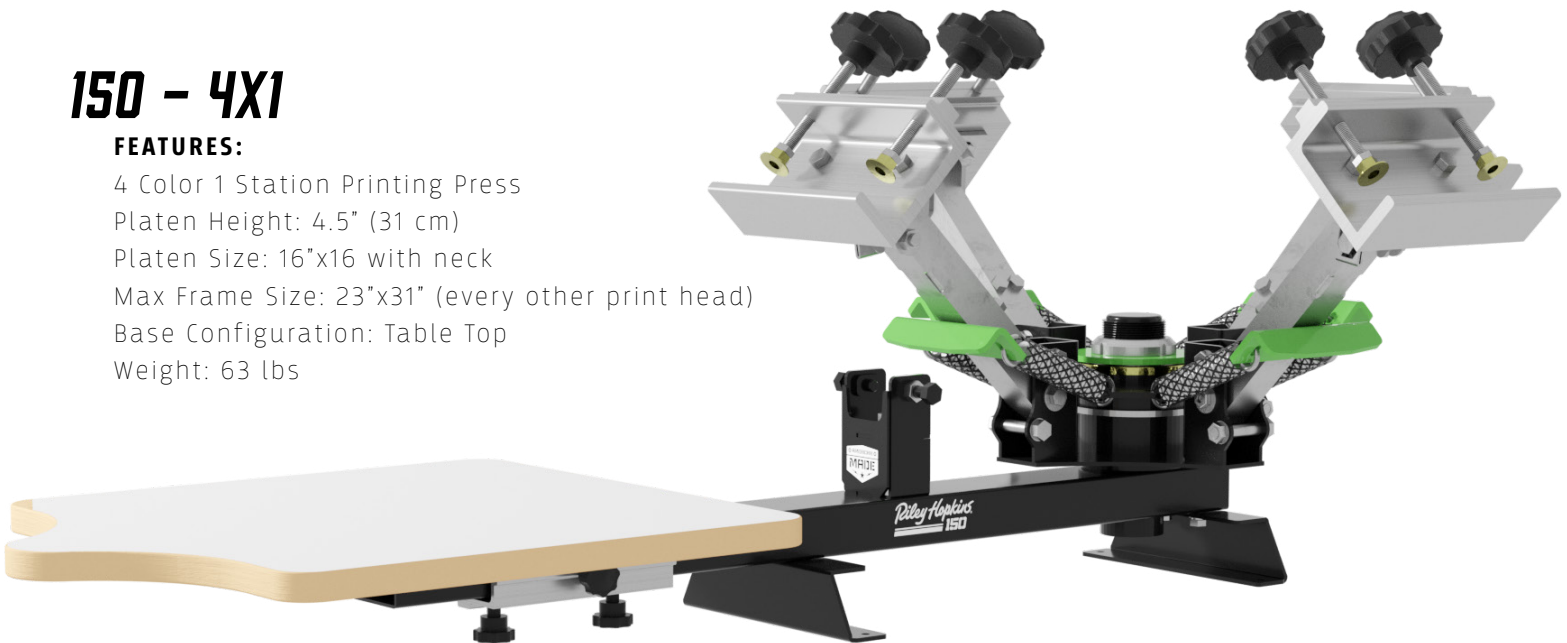
PRTB-RH150-1X1



## 150 - 4X1

### FEATURES:

- 4 Color 1 Station Printing Press
- Platen Height: 4.5" (31 cm)
- Platen Size: 16"x16 with neck
- Max Frame Size: 23"x31" (every other print head)
- Base Configuration: Table Top
- Weight: 63 lbs



# Riley Hopkins 250 SERIES

The 250 builds on the success of its predecessor, the Riley Jr., with major improvements. The most notable feature is the addition of tilted micros. The tilted micros ensure screens stay in place during production, minimizing the worries of accidentally bumping the screen out of registration mid-production. The press is perfect for printers looking to run their production in a garage, spare bedroom, or basement.

Breakout from the pack with the Riley Hopkins 250 Press!



## 250 SERIES FEATURES:

9/16 Tilt and Off-Contact Control (9/16" ratcheting wrench recommended)

Indexing/Rotating Platen w/ Roller Wheel Platen Stop

Adjustable and Interchangeable Riley Hopkins Platens

Heavy Duty Center Chassis Construction

Titled Micros for Better Registration

Standard XY Micro Registration

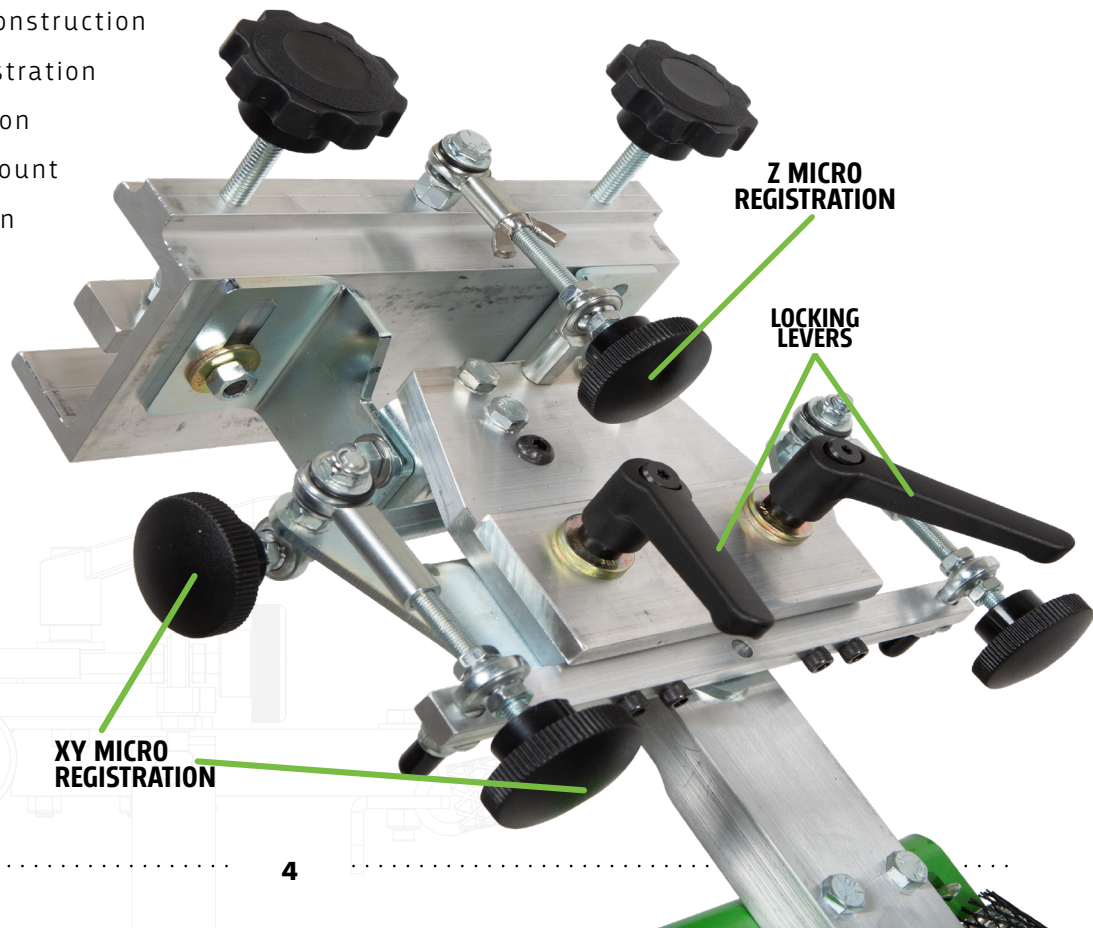
Base Configuration: Bench Mount

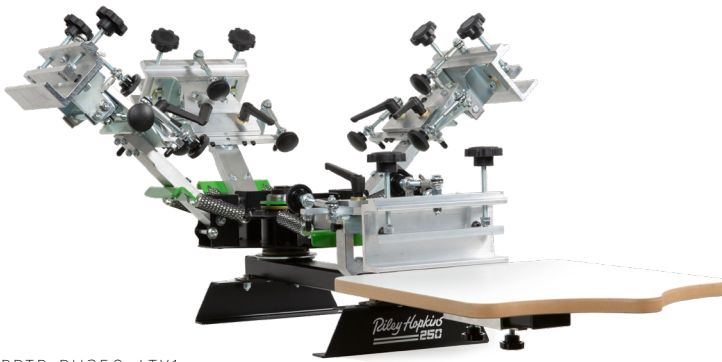
Durable US Steel Construction

Riley 300 Locking Levers

Powder Coated Finish

Heavy Duty Springs





PRTB-RH250-4TX1

## 250 - 4X1

**TECH SPECS:**

Diameter: 59"  
Platen Height: 5.5" (31cm)  
Platen Size: 16"x16" w/ Neck  
Max Frame Size: 23"x31"  
Color/Stations: 4 color /1 station  
Shipping Weight: 87 lbs  
Ships in two boxes

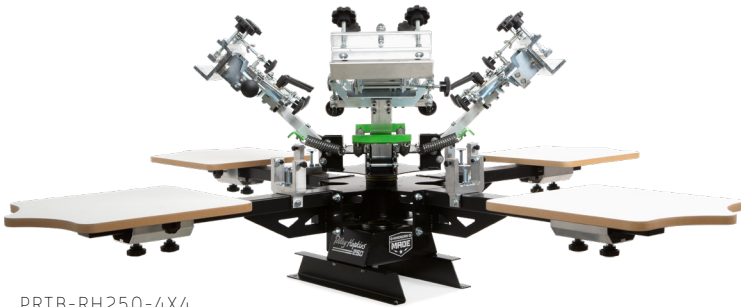


PRTB-RH250-4X2

## 250 - 4X2

**TECH SPECS:**

Diameter: 84"  
Platen Height: 12"  
Platen Size: 16"x16" w/ Neck  
Max Frame Size: 23"x31"  
Color/ Stations: 4 color / 2 station  
Shipping Weight: 215 lbs  
Ships Freight

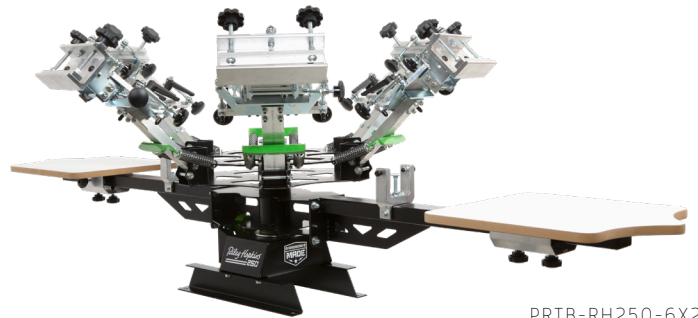


PRTB-RH250-4X4

## 250 - 4X4

**TECH SPECS:**

Diameter: 84"  
Platen Height: 12"  
Platen Size: 16"x16" w/ Neck  
Max Frame Size: 23"x31"  
Color/ Stations: 4 color / 4 station  
Shipping Weight: 240 lbs  
Ships Freight



PRTB-RH250-6X2

## 250 - 6X2

**TECH SPECS:**

Diameter: 90"  
Platen Height: 12"  
Platen Size: 16"x16" w/ Neck  
Max Frame Size: 23"x31"  
Color/ Stations: 6 color / 2 station  
Shipping Weight: 287 lbs  
Ships Freight

## 250 - 6X4

**TECH SPECS:**

Diameter: 90"  
Platen Height: 12"  
Platen Size: 16"x16" w/ Neck  
Max Frame Size: 23"x31"  
Color/ Stations: 6 color / 4 station  
Shipping Weight: 325 lbs  
Ships Freight



PRTB-RH250-6X4

# Riley Hopkins 300 SERIES

The Riley 300 is a screen printer's press that was crafted with years of innovation and customer feedback in mind. Speed, Precision, and Consistency are the keys for screen printing today, and the Riley 300 delivers on all counts. If Speed, Precision, and Consistency are important for your customers and production style, it's time to get behind the wheel of the Riley 300.



PRMA-RH300-44

## 300 - 4X4

### FEATURES:

Riley Hopkins® 300 4-color, 4-station Press  
Sturdy, heavy duty, lightweight construction.  
XYZ: Micro registration  
2-Point Roller Gate  
Diameter: 88"  
Base Size: 57"  
Platen Height: 35.5" - 38.5"  
Platen Size: 16"x 18"  
Max Platen Size: 24" x 32"  
Max Frame Size: 25" x 36"  
Max Frame Size(every other): 42" x 48"



PRMA-RH300-64

## 300 - 6X4

### FEATURES:

Riley Hopkins® 300 6-color, 4-station Press  
Sturdy, heavy duty, lightweight construction.  
XYZ: Micro registration  
2-Point Roller Gate  
Diameter: 93"  
Base Size: 57"  
Platen Height: 35.5" - 38.5"  
Platen Size: 16"x 18"  
Max Platen Size: 24" x 32"  
Max Frame Size: 25" x 36"  
Max Frame Size(every other): 42" x 48"



PRMA-RH300-66

## 300 - 6X6

### FEATURES:

Riley Hopkins® 300 6-color, 6-station Press  
 Sturdy, heavy duty, lightweight construction.  
 XYZ: Micro registration  
 2-Point Roller Gate  
 Diameter: 93"  
 Base Size: 57"  
 Platen Height: 35.5" - 38.5"  
 Platen Size: 16"x 18"  
 Max Platen Size: 24" x 32"  
 Max Frame Size: 25" x 36"  
 Max Frame Size(every other): 42" x 48"



PRMA-RH300-86

## 300 - 8X6

### FEATURES:

Riley Hopkins® 300 8-color, 6-station Press  
 Sturdy, heavy duty, lightweight construction.  
 XYZ: Micro registration  
 2-Point Roller Gate  
 Diameter: 102"  
 Base Size: 57"  
 Platen Height: 35.5" - 38.5"  
 Platen Size: 16"x 18"  
 Max Platen Size: 24" x 32"  
 Max Frame Size: 25" x 36"  
 Max Frame Size(every other): 42" x 48"



FDIF-RC-18X18

## 16X16 – FLASH DRYER

**TECH SPECS:**

- Watts: 1600
- Volts: 120v
- Amps: 13.2
- Heater Size: 16"x20"
- Element Size: 16"x16"
- Plug Type: NEMA 5-15P
- Shipping Weight: 35 lbs



FDIF-RC-18X18

## 18X18 – FLASH DRYER

**TECH SPECS:**

- Watts: 2223
- Volts: 120
- Amps: 19.1
- Heater Size: 18"x22"
- Element Size: 18"x18"
- Plug Type: Nema 5-20P
- Shipping Weight: 38 lbs



# Riley Hopkins

## FLASH DRYER

With more than 40 years of developing high-quality, affordable screen printing equipment, the Riley Hopkins brand has jumpstarted thousands of printers' careers. Heat up production with the RileyFlash. The RileyFlash is born to perform thanks to its infrared heating element. The tight wire construction reduces the possibility of having hot and cold spots, ensuring an even, consistent flash every time. Coming in three sizes as well as a forced air option, the RileyFlash offers printers options to select a flash dryer that'll fit their needs. Invest in efficient, stable equipment. Heat up production today with the RileyFlash Flash Dryer.

### FEATURES:

- Rotating, adjustable stand
- Locking casters
- 360° rotation
- Powder-coated to prevent rust
- Sturdy, simple design
- 10-foot power cord
- Easy assembly



FDIF-RC-1824HC



FDIF-RC-AF4000

## 18X24 - FLASH DRYER

### TECH SPECS:

- Watts: 2223
- Volts: 120
- Amps: 19.1
- Heater Size: 18"x22"
- Element Size: 18"x18"
- Plug Type: Nema 5-20P
- Shipping Weight: 38 lbs

## 18X18 - FORCED AIR DRYER

### TECH SPECS:

- Watts: 4000
- Volts: 240
- Amps: 16.6
- Heater Size: 18"x18"
- Element Size 18"x18"
- Plug Type: Nema 6-20P
- Shipping Weight: 75 lbs

# Riley Hopkins

## CONVEYER DRYER

Increase your SPM (shirts per minute) with the RileyCure Conveyor Dryer. Its infrared heating element is powerful. The tight wire and edge-to-edge construction ensures consistent coverage across the entire print. Features like the three on/off switches, belt speed control, temperature control, and adjustable gates allows printers to customize settings for each job's needs. Plus, printers won't have to worry about the belt falling off the track thanks to the tracking system. With two options in sizes for both the forced air and regular conveyor dryers, the RileyCure provides printers options to discover the right conveyor for their space and needs. Invest in efficient, stable equipment. Gain more traction today with the RileyCure.



CDIF-RCJ21-3500



CDIF-RC21-6500

### RILEYCURE TABLETOP

**TECH SPECS:**

- Length: 48"
- Width: 26"
- Belt Width: 18"
- Number of Elements: 1
- Heater dimensions: 14"x18"
- Chamber Length: 18"
- Chamber Height: 3"
- Entry/Exit Length: Adjustable from 12"-18"
- Capacity: 80 shirts per hour
- Wattage: 1440
- Voltage: 120
- Amps: 12.5
- Plug Type: Nema 5-15P (standard household plug)

### RILEYCURE 245

**TECH SPECS:**

- Length: 60"
- Width: 36"
- Belt Width: 24"
- Number of Elements: 1
- Heater dimensions: 24"x24"
- Chamber Length: 30"
- Chamber Height: 5"
- Entry/Exit Length: 15", 15"
- Capacity: 150 shirts per hour
- Wattage: 3449
- Voltage: 240
- Amps: 14.4
- Plug Type: NEMA 6- 20P



**FEATURES:**  
 On/off switches for the belt and the dryer  
 Temperature control  
 Belt speed control\*  
 Vented exhaust  
 Adjustable gates  
 Belt tracking guide  
 Two locking casters, two rolling casters  
 Dry-erase panel to write down specific settings\*  
 10-foot power cord  
 3-year warranty on heating element  
 1-year warranty on rest of dryer

\*Excludes Tabletop

## RILEYCURE 248

**TECH SPECS:**

- Length: 96"
- Width: 36"
- Belt Width: 24"
- Number of Elements: 2
- Heater dimensions: 18"x24"
- Chamber Length: 48"
- Chamber Height: 5"
- Entry/Exit Length: 24", 24"
- Capacity: 300 shirts per hour
- Wattage: 6500
- Voltage: 240
- Amps: 27
- Plug Type: NEMA L6-30P



CDIF-RCA-244-2-2

## RILEYCURE FORCED AIR CONVEYOR DRYER

**TECH SPECS:**

- Length: 96" (120" option available)
- Width: 24"
- Belt Width: 24"
- Number of Elements: 3
- Heater dimensions: (3) 12"x24"
- Chamber Length: 48"
- Chamber Height: 5"
- Entry/Exit Length: 24", 24"
- Capacity: Plastisol-350 shirts per hour, Water-Based-200 SPH, DTG-60 SPH



8': CDIF-RCA-244-2-2  
 10': CDIF-RCA-364-4-2

- Wattage: 7250
- Voltage: 240
- Amps: 30A in 1p, 17.5A in 3p
- Plug Type: Hard Wired



# *Riley* **PRESS CART**

Raise your level of performance with the Riley Hopkins® Press Cart. This space-saving, multipurpose press cart was designed to give you the perfect printing height for mounting your table-top Riley Hopkins® presses. The cart is equipped with leveling feet for a sturdy surface. Printers can upgrade to pivot caster wheels for extra mobility, or replace the leveling feet with standard caster wheels.

With an all-black design, this cart will belong in any space. Stylish and sleek, this sturdy press cart also functions as a moveable surface and screen rack to store 10 extra screens, supplies, and ink. Slide it to wherever you need it most while printing, and tuck it away after you're done to save valuable space.



## RILEY HOPKINS SINGLE STATION PRESS CART

### FEATURES:

- Works for single station presses only like Riley Hopkins 150, 250, JR., and all Silver presses
- Holds up to 300 lbs of inks and print supplies
- Made from laser-cut steel
- Powder-coated black
- The top is white laminate MDF
- Leveling feet
- Option to upgrade to caster assembly or wheels

### PRODUCT SPECS:

Dimension assembled: 28" W x 36" D x 32" H  
 Fits 10: 20" x 24" or 12: 23" x 31" OD frames  
 Assembly required (assembly instructions, hardware, and tools are included)



## RILEY HOPKINS MULTI-STATION PRESS CART

### FEATURES:

- Works with Riley Hopkins 250 and JR. multi-station presses
- Holds up to 250 lbs of press, ink, shirts, or supplies
- Made from US Steel
- Powder-coated black
- The top is white laminate MDF
- Adjustable leveling feet
- Option to upgrade to heavy-duty locking casters

### PRODUCT SPECS:

Dimension assembled: 28" W x 36" D x 26" H  
 Fits Eight 20" x 24", 21" x 24", or 23" x 31" frames when situated horizontally.  
 Assembly required (assembly instructions, hardware, and tools are included)

