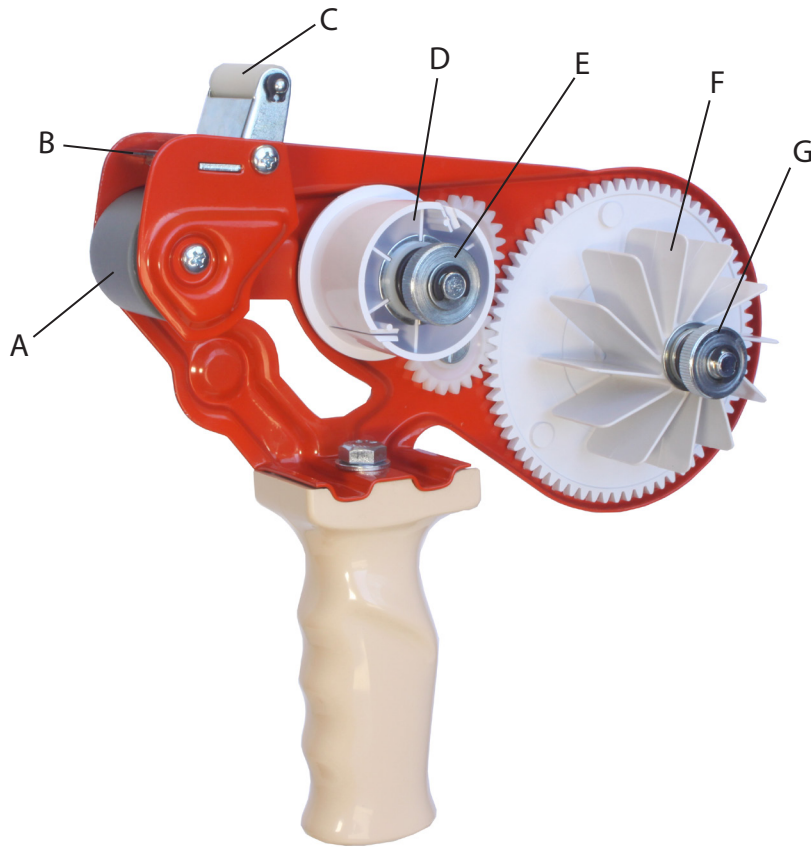


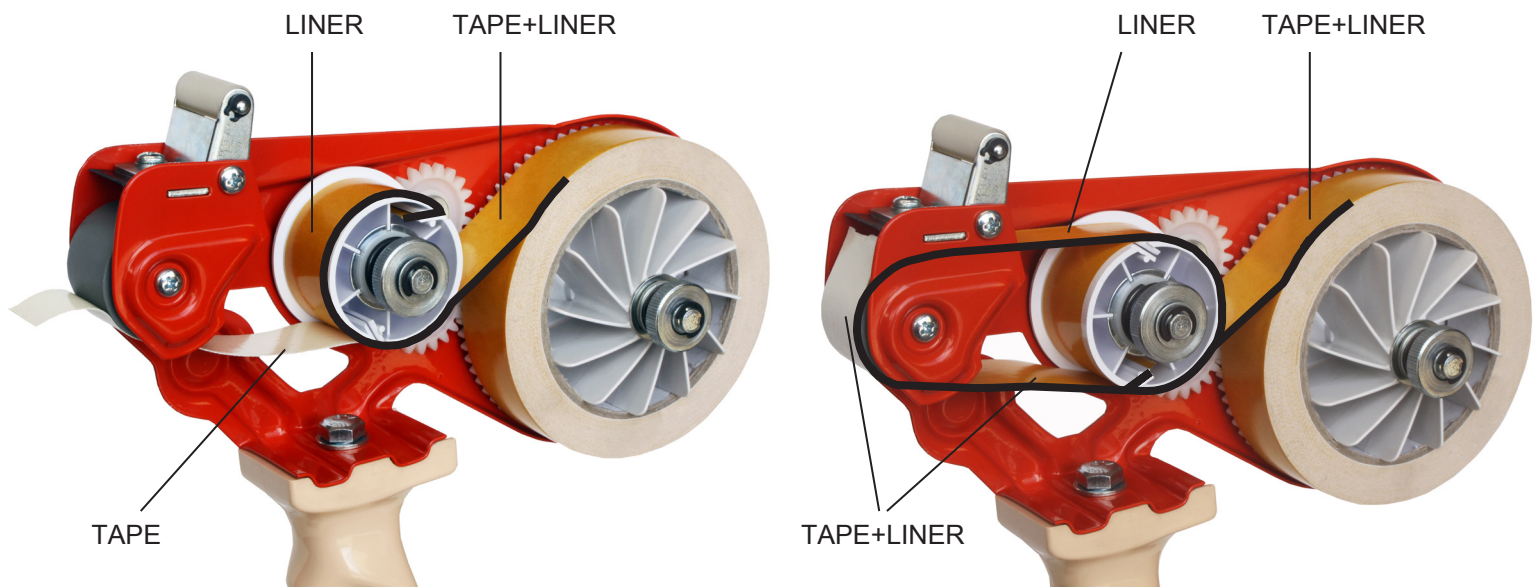
# Hand dispenser for double sided tapes DSH/25



Hand dispenser for the use of double sided tapes provided with plastic or paper liner on 1" or 3" cores . Maximum tape external diameter is 140 mm.

## TAPE LOADING -1-

## TAPE LOADING -2-



The black lines in the pictures show the way of the liner  
TAPE LOADING - 1- the liner is removed before the applying roll (A). This is the best solution.

TAPE LOADING - 2 - the liner is removed after the applying roll (A). The advantage of this solution is that the adhesive does not stick on the applying roll.

## SETTING

Adjust the knurled knob (G) at the minimum braking torque that avoids the easy unroll of the tape.

Adjust the knurled knob (E) at the minimum braking torque that permits the complete rewind of the liner on the spool (D).

## CAUTION

This professional tool is provided with a sharp toothed blade (B) for the cutting of the tape.

Use it with caution, to avoid injuries to your hand.

Do not let children use it.

## MAINTENANCE

Remove the adhesive or the cardboard from the blade using a plastic or wooden tool.

Lubricate from time to time the gears and the shafts of the rolls using Vaseline oil.

Do not use solvents.

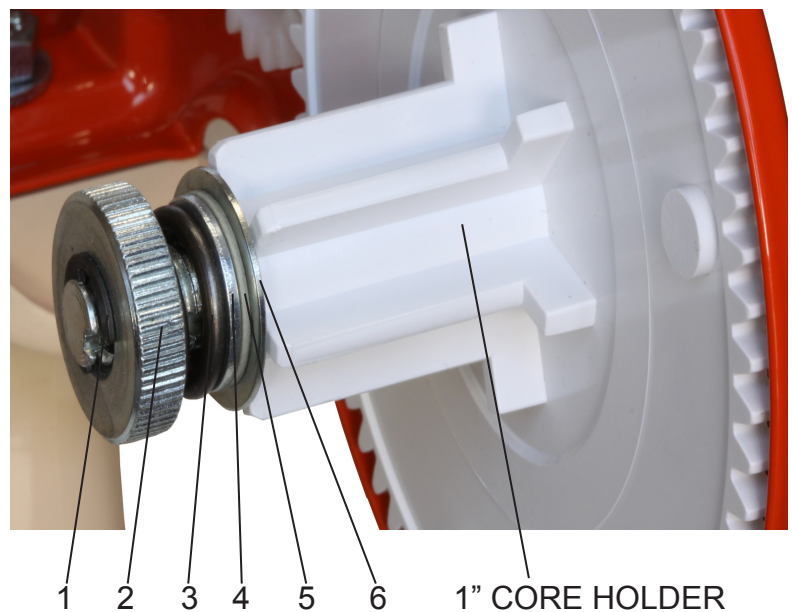
## CHANGE OF THE CORE HOLDER

A - Remove the circlip (1) using a screwdriver.

Unscrew the knob (2), take away the spring (3). Take away the washer (4), the fibre washer (5) and the dimpled steel washer (6).

B - Substitute the 3" core holder and relevant gear with the 1" core holder.

C - Repeat process -A- in reverse.



## SPARE PARTS

We grant the supply of all the spare parts. This permits to extend the life of the product. Please contact your supplier to get these.

This is the list of the main spare parts and relevant code for reordering.

A	Applying roll	code 9 354 010 000
B	Blade	code 9 354 012 000
C	Small silicon roll	code 9 354 046 000
D	Spool	code 9 354 022 000
E	Spool knob	code 9 302 028 000
F	Core Holder 3"	code 9 354 037 000
F	Core Holder 1"	code 9 354 038 000
G	Core holder knob	code 9 100 031 000