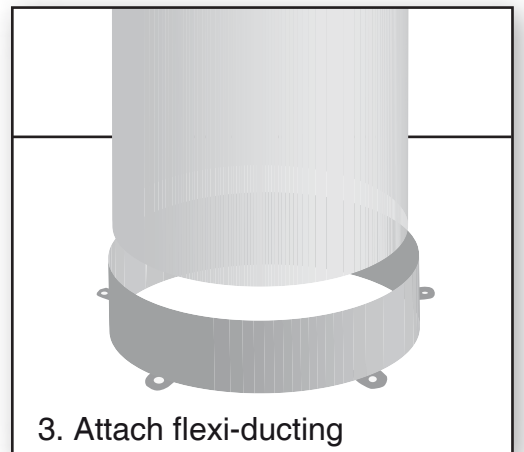
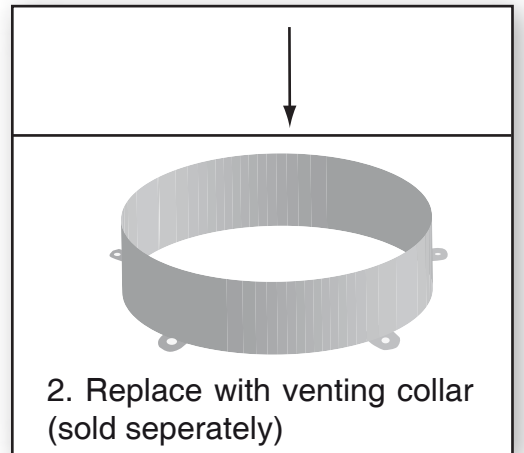
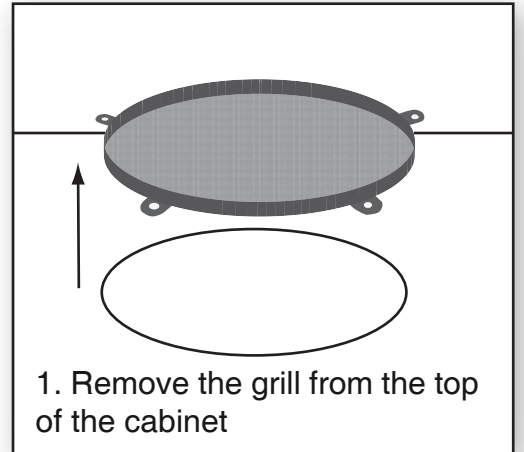


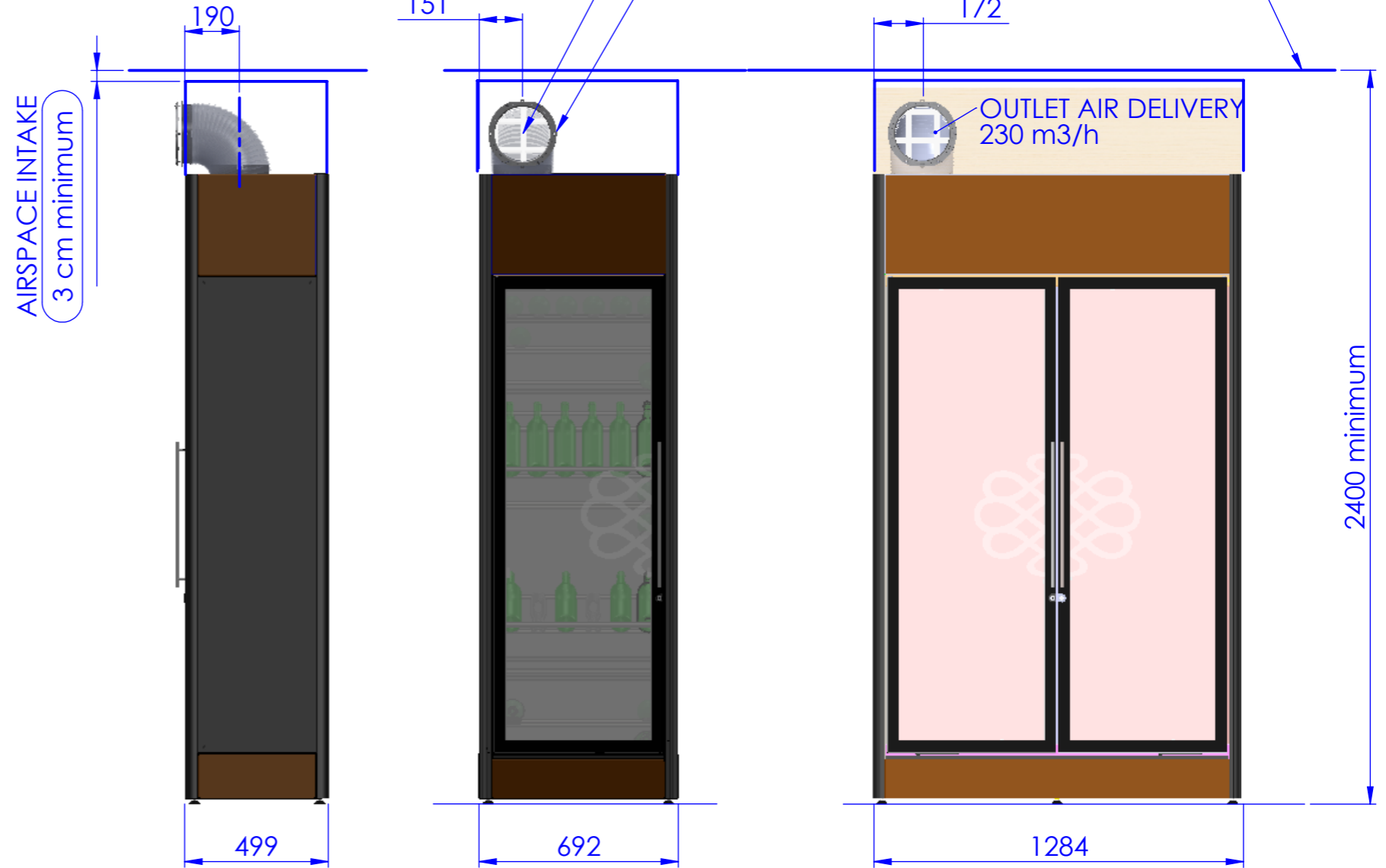
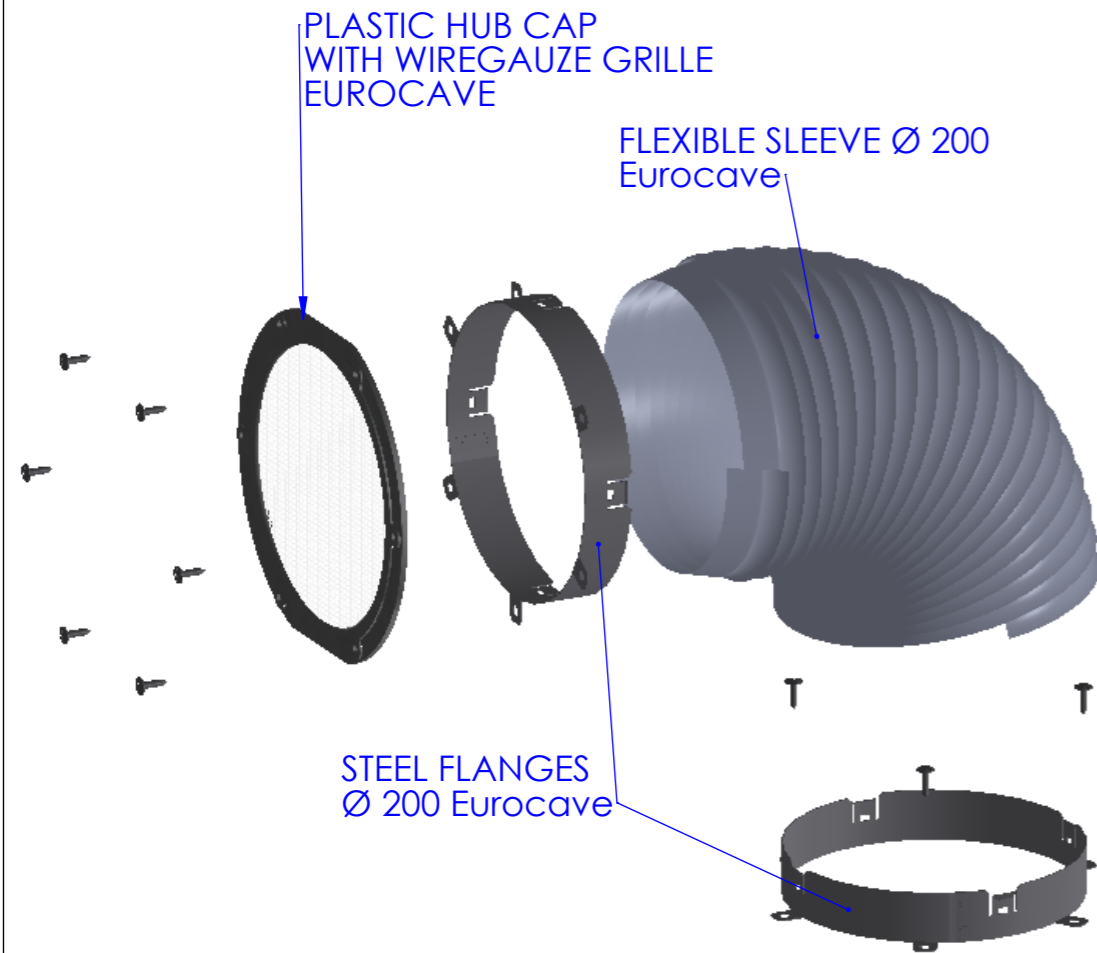


Existing grill on the top of the cabinet



ADVISED BUILT-IN INSTALLATION

AIR OUTLET KIT

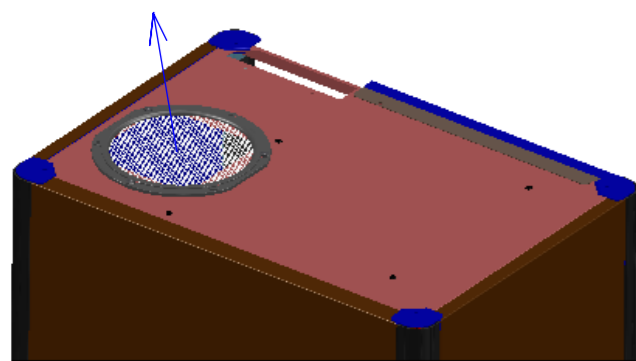


DIMENSIONS OF SHOWCAVE PUT TOGETHER WITH FIXING PLATE	LENGTH en mm
2 doors + 1 door	1992
2 doors + 2 doors	2584
1 door + 1 door	1400
1 door + 2 doors + 1 door	2700

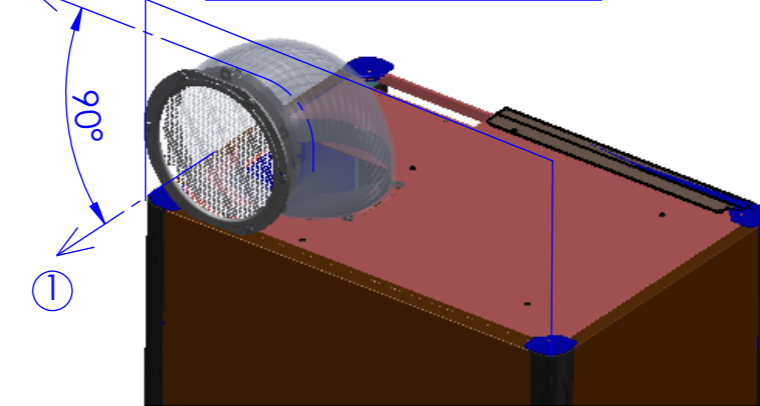
NOTICE : FOR THIS TYPE OF INSTALLATION , YOU HAVE TO RESPECT :

- THE MINIMUM HEIGHT UNDER THE CEILING HAS TO BE 2400 mm
- THE AIRSPACE INTAKE HAS TO BE 30mm MINIMUM ON THE WHOLE LENGTH
- FOR AESTHETIC REASON , THE OUTLET AIR HOLE CAN BE ON THE LEFT SIDE

WITHOUT THE AIR OUTLET KIT



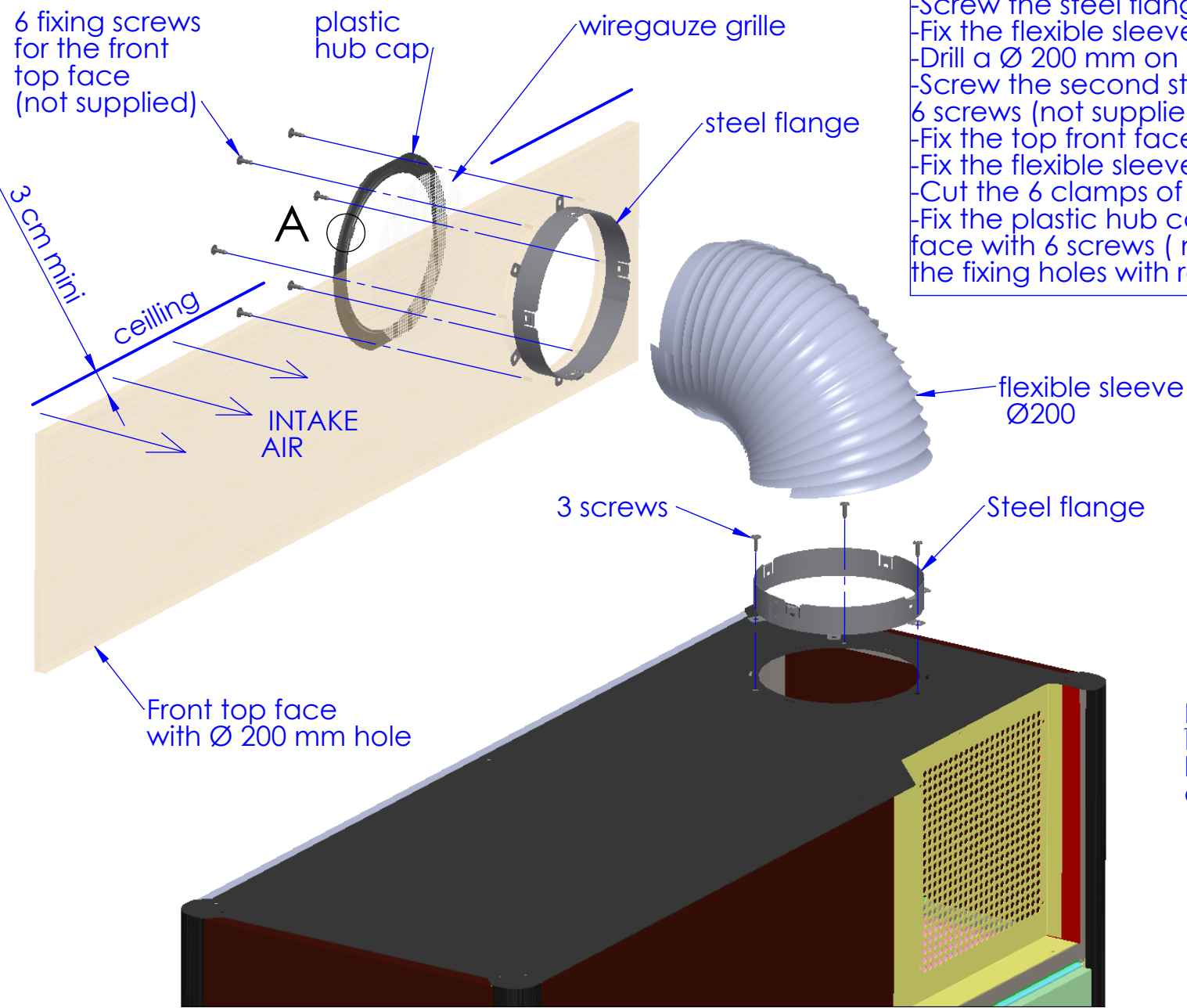
WITH THE AIR OUTLET KIT



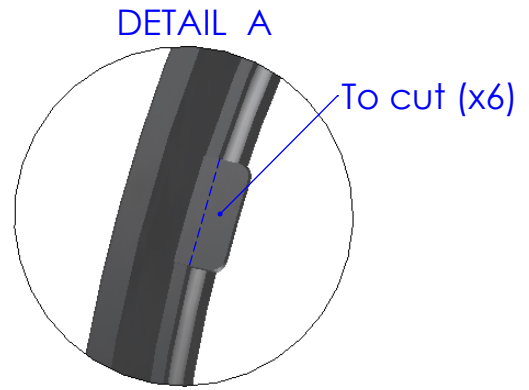
1	test de commentaire	04/01/2013	hen
Material:-			
Drawing number: E-31601	Article x	3D Number / Révision. E-28051/	Weight:g Volume: mm3 Scale 1:20
General Tolérances: -		SHOWCAVE 1P et 2 P VERSION ENCASTREE	
EuroCave®		Range :Vitrine 1P	Size A3 Sheet 1/1

ASSEMBLY KIT OF AIR OUTLET ON THE FRONT TOP FACE

ShowCave 1 and 2 doors

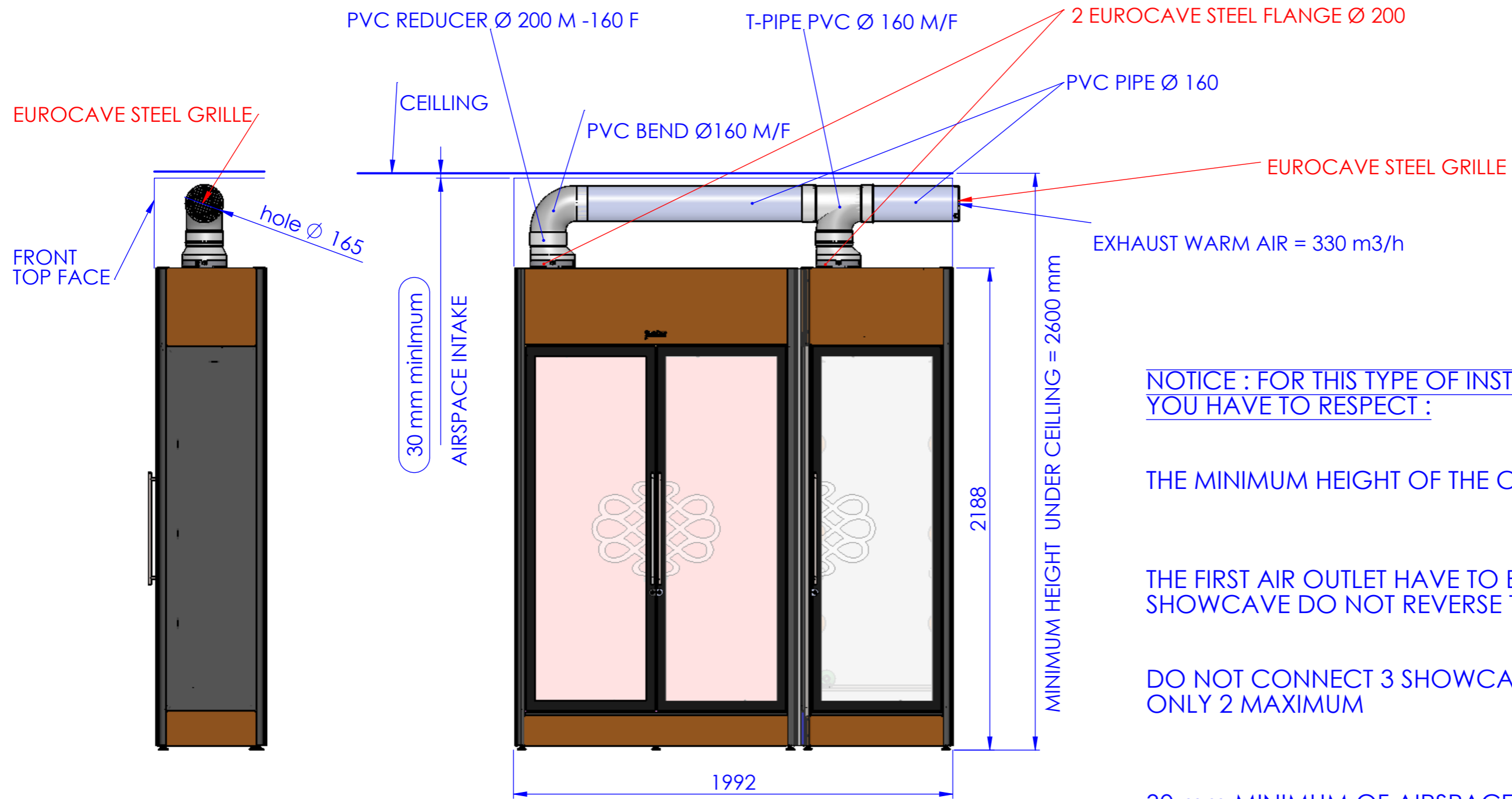


- ASSEMBLY :**
- Unscrew the plastic hub cap and the wiregauze grille from the Showcave unit (3 screws).
 - Screw the steel flange instead of the plastic hub cap.
 - Fix the flexible sleeve on the steel flange.
 - Drill a Ø 200 mm on the top front face.
 - Screw the second steel flange on the top front face with 6 screws (not supplied).
 - Fix the top front face.
 - Fix the flexible sleeve on the second steel flange.
 - Cut the 6 clamps of plastic hub cap.
 - Fix the plastic hub cap and the grille on the top front face with 6 screws (not supplied). Take care to move up the fixing holes with regard to the steel flange ones.



NOTICE :
Respect a 3 cm airspace intake between the ceiling and the front top face.

CASE OF BUILT-IN INSTALLATION WITH 2 EXHAUST WARM PIPES CONNECTED TOGETHER



NOTICE : FOR THIS TYPE OF INSTALLATION, YOU HAVE TO RESPECT :

THE MINIMUM HEIGHT OF THE CEILING: 2.60 m

THE FIRST AIR OUTLET HAVE TO BE ON THE 2 DOORS SHOWCAVE DO NOT REVERSE THE PIPES

DO NOT CONNECT 3 SHOWCAVE : ONLY 2 MAXIMUM

30 mm MINIMUM OF AIRSPACE INTAKE ON THE WHOLE LENGH OF THE INSTALLATION.

SCHOWCAVE FITTINGS	LENGH mm	WHOLE AIR OUTLET DELIVERY m3/h
2 doors + 1 door	1992	330
2 doors + 2 doors	2584	500
1 door + 1 door	1400	200
1 door + 2 doors + 1 door	2700	X

1	test de commentaire	04/01/2013	hen
Material:			
Drawing number: E-31590	Article x	3D Number / Révision. E-27154/	Weight:g Volume: mm3 Scale 1:20
General Tolérances:		INSTALLATION ENCASTREE 1P + 2P +1P	
EuroCave®		Range :	Size A3 Sheet 1/1