

# avintage●●●

The art of living by excellence



# AVINTAGE™

## THE ART OF LIVING BY EXCELLENCE

Enhancing and helping wine reach its rich potential,, is an art - an art that AVINTAGE™ has mastered to perfection. Bringing together elegant design and leading-edge technology, the wine cabinet from AVINTAGE™ promises the ultimate tasting experience.

Whatever the ideal wine cabinet is for you, you will find one in our wide range of 29 models: holding from between 8-294 bottles, in every configuration (free standing, built-in column or built-under counter) and for a range of purposes (ageing, multi-purpose, service).

As a true specialist in wine cellar, AVINTAGE™ is connected with the biggest kitchen companies and specialists in Europe, providing you with the care and safety you need for your most cherished bottles.

Sold throughout the world in more than 47 countries, the AVINTAGE™ brand offers you high-quality, innovative products made with French know-how.



Model: AVI81XDZ  
Capacity: 79 



## A MODERN DESIGN

Some customers appreciate our solid-door cellars that protect their wine naturally. Others prefer the elegance of glass doors. For all types of enthusiasts and experienced connoisseurs, we have developed a range of cellars that offer maximal protection. Through a special treatment, the glass filters UV rays, thereby preserving the quality of your wine.



Model: AVU23SX  
Capacity: 21 

## AN INNOVATIVE TECHNOLOGY

Our **DIVA EVOLUTION** wine cabinets are all fitted with touch panels featuring **LCD** displays for electronic **CLIMACONTROL®**:

- Temperature
- Hygrometry
- Light
- Alarms and error codes
- Winter system
- Anti-vibration system

Perfected to the highest degree, **AVINTAGE™** wine cellars focus on the small finishing touches with their accessories. You can select and increase the number of racks you have according to how you wish to set up your cellar.

You have the freedom to arrange your cellar in any possible configuration and optimise your storage capacity.





Model: DVA180G  
Capacity: 178 

# AVINTAGE™

## KNOW-HOW

When choosing a wine cabinet, keep in mind that this device will be trusted with bottles that may have been patiently collected over many years and represent a cherished possession and financial investment. Their total value will often largely surpass the cost of the appliance... And this value is likely to increase with age! Resorting to cheaper products or non-specialist manufacturers whose appliances are simple refrigeration units would be a false economy and a potentially expensive risk.

By contrast, an AVINTAGE™ wine cabinet guarantees the safest ageing conditions for your bottles and the perfect tasting temperature for any occasion. All AVINTAGE™ products meet European standards in force. Each unit comes with its own ID number and data plate as proof of its production cycle.

## PERFORMANCES, QUALITY CONTROLS AND STANDARDS

**AVINTAGE™ is and will always be proud of its attention to quality.**

> Assuring the quality of AVINTAGE™ products is an ongoing commitment. AVINTAGE™ factories are certified and meet the strictest standards. The products are subjected to tests and inspections on all functional aesthetic aspects according to precise protocols.

> AVINTAGE™ constantly improves the energy performance of its products. From class A+ to B in the DIVA range. From class A to D in all the built-in column and built-under counter models.

## AVINTAGE™ & ITS DISTRIBUTORS PARTNERS, A PRIVILEGED RELATIONSHIP

**Because service matters to us, AVINTAGE™ operating parts benefit in France from a two-year warranty including replacement parts and on-site repair work.**

Are you a kitchen designer or an AVINTAGE™ partner? Then you can take advantage of specific optional warranties: you can extend your 2-year warranty to a «replace with new» 5-year warranty.

Interfroid Services, our partner in France, oversees the management of spare parts for the 5 years after production and for the entire warranty period. It has a network of more than 150 technicians, which helps us to respond to technical issues in France in just a few days. Even beyond the borders, you have a service department that is insured by our European distributors in their own territory.

The spare parts and accessories storage in France insure you to always have an item to change or add as soon as possible. The European and international 2-year warranty is for functional parts and is governed according to territory rules. Please contact your local distributor or kitchen designer for more information about your product warranty.



# BUILT-IN COLUMN WINE CELLARS



Model: AVI94X3Z  
Capacity: 71 

# SERVICE WINE CELLARS

In the majority of cases, service wine cabinets are used as relay stations between larger ageing facilities in the cellar, back kitchen or garage. Your bottles are ready and waiting at any time! Because we often want to keep a variety of wines on hand, the service wine cabinets from AVINTAGE™ easily integrate into gourmet kitchens and keep wines at a constant temperature. Thanks to a wide temperature range, you can thus, chamber your bottles or put them at service temperature.

## MULTI-COMPARTMENT SERVICE WINE CELLARS



### AVI97X3ZI

97

3-compartment service wine cellar

59,5 (W) x 55,9 (D) x 178,8 (H)

- Reversible 3-layers glass door, anti-UV treated, stainless steel frame
- 9 sliding wooden shelves
- 1 sliding presentation shelf
- Thermometer with white electronic display
- White LED lights
- Cooling system : compressor (air moving system)
- Adjustable temperature range of use : 5°-18°C / 5°-10°C / 10°-18°C



### AVI94X3Z

71

3-compartment service wine cellar

59,2 (W) x 55,7 (D) x 123 (H)

- Reversible 3-layers glass door, anti-UV treated, stainless steel frame
- 7 semi-sliding wooden shelves
- 1 fixed presentation shelf
- Thermometer with white electronic display
- White LED lights
- Cooling system : compressor (air moving system)
- Adjustable temperature range of use : 14° - 18°C / 5° - 11°C / 11° - 13°C



### AVI81XDZ

79

2-compartment service wine cellar

59,2 (W) x 55,7 (D) x 123 (H)

- Reversible 3 layers glass door, anti-UV treated, stainless steel frame
- 8 semi-sliding wooden shelves
- 1 fixed presentation shelf
- Thermometer with white electronic display
- White LED lights
- Cooling system: compressor (air moving system)
- Adjustable temperature range of use: 5° - 18°C / 5° - 18°C



### AVI47XDZ

52

2-compartment service wine cellar

59,5 (W) x 55,7 (D) x 88,7 (H)

- Reversible 3-layers glass door, anti-UV treated, stainless steel frame
- 4 semi-sliding wooden shelves
- 1 fixed presentation shelf
- Thermometer with white electronic display
- White LED lights
- Cooling system : compressor (air moving system)
- Adjustable temperature range of 5° - 18°C / 5° - 18°C



### AV60CDZ

36

2-compartment service wine cellar

59 (W) x 60,8 (D) x 59,5 (H)

- Reversible 3 layers glass door, anti-UV treated, black frame
- 3 sliding wooden shelves
- Thermometer with white electronic display
- White LED lights
- Cooling system: compressor (air moving system)
- Adjustable temperature range of use : 5° - 12°C / 12° - 22°C
- Energy class A

Available in stainless steel frame

### AVI61XDZA



Available in full black glass

### AVI82CDZ

The first wine cellar that is installed in a cabinet equipped with a niche for conventional built-in oven, characterized by its standard size : 60 (H) x 60 (D)

Available in full black glass

### AVI48CDZ



# BUILT-IN COLUMN

## WINE CELLARS

### SINGLE-COMPARTMENT SERVICE WINE CELLARS



#### AVI24PREMIUM

24   
59,2 (W) x 55,5 (D) x 45,9 (H)

- 2 layers glass door, anti-UV treated, black frame
- Push-pull open and close system
- 3 semi-sliding wooden shelves, metal front
- Thermometer with white electronic display
- White LED lights
- Cooling system: compressor (air moving system)
- Adjustable temperature range of use : 5° - 18°C
- Energy class A

#### PUSH-PULL SYSTEM

No need for a handle to open and close your door. A slight bit of pressure on the top corner on the left side and it's done !



#### AV22XI

22   
59 (W) x 55,7 (D) x 45,5 (H)

- Reversible 3 layers glass door, anti-UV treated, stainless steel frame
- 3 semi-sliding wooden shelves, metal front
- Thermometer with white electronic display
- White LED lights
- Cooling system: compressor (air moving system)
- Adjustable temperature range of use : 4° - 18°C
- Energy class A

#### STAINLESS STEEL DESIGN

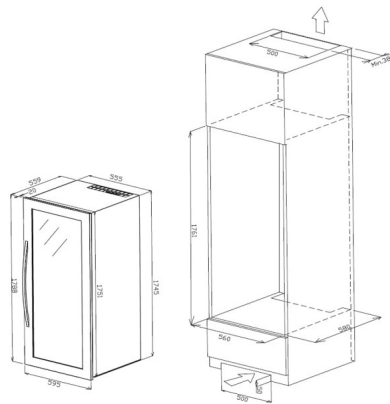
Enjoy the modern and elegant design of this wine cellar. Equipped with stainless steel frame glass door and front shelves, this cabinet will perfectly fit your equipped kitchen!



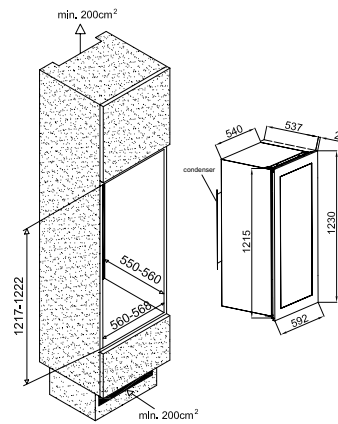


# INSTALLATION DRAWINGS BUILT-IN COLUMN

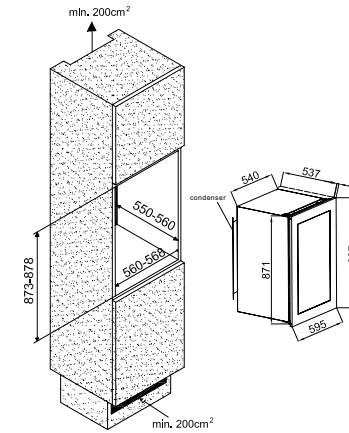
For an easy and quick installation, you will find here all drawings for AVINTAGE™ built-in column wine cellars. In case of need, do not hesitate to question your kitchen designer or appliance specialist who will guide you in your installation.



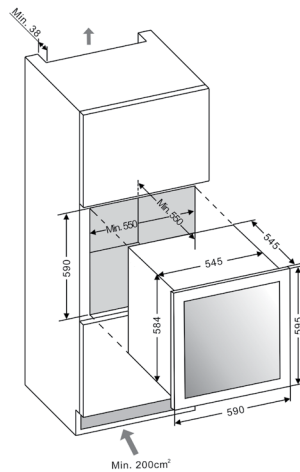
**AVI97X3ZI**



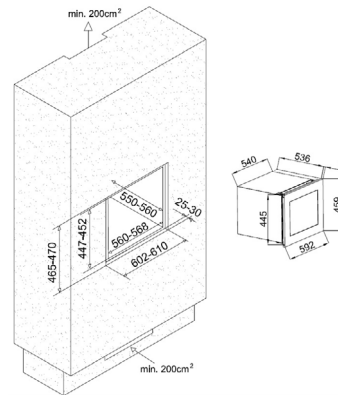
**AVI94X3Z  
AVI81XDZ  
AVI82CDZ**



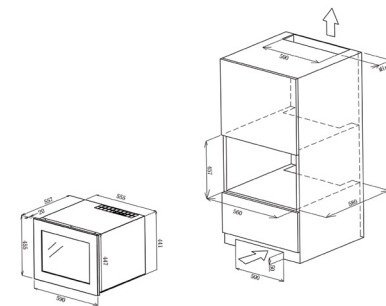
**AVI47XDZ  
AVI48CDZ**



**AV60CDZ  
AVI61XDZA**



**AVI24PREMIUM**



**AV22XI**



# BUILT-UNDER COUNTER WINE CELLARS



Model: AVU41SXDP A

Capacity: 42 

## SERVICE WINE CELLARS

In the majority of cases, service wine cabinets are used as relay stations between larger ageing facilities in the cellar, back kitchen or garage. Your bottles are ready and waiting at any time! These wine cabinets are designed to fit between two furnitures or can be installed under counter. They come in a range of sizes and with different ventilation systems so they adapt most kitchens supplied by Europe's leading manufacturers and blend into any dining room. Featuring independent compartments, AVINTAGE™ wine cabinets cater to everyone. Each compartment offers bottles at a particular temperature so the tasting experience is unforgettable every time.

### DOUBLE-COMPARTMENT SERVICE WINE CELLARS




#### AVU54SXDZA

50   
59,5 (W) x 57,1 (D) x 82/89 (H)

- Reversible 2 layers glass door, anti-UV treated, stainless steel frame
- 4 semi-sliding wooden shelves
- 1 semi-sliding wooden half shelf
- 4 adjustable feet (height 7 cm)
- Thermometer with white electronic display
- White LED lights
- Cooling system: compressor (air moving system)
- Removable aeration grill
- Adjustable temperature range of use : 5° - 10°C / 10° - 18°C
- Energy class A



#### AVU53CDZA

50   
59,5 (W) x 57,1 (D) x 82/89 (H)

- Reversible 2 layers glass door, anti-UV treated, black frame
- 4 semi-sliding wooden shelves
- 1 semi-sliding wooden half shelf
- 4 adjustable feet (height 7 cm)
- Thermometer with white electronic display
- White LED lights
- Cooling system: compressor (air moving system)
- Removable aeration grill
- Adjustable temperature range of use : 5° - 10°C / 10° - 18°C
- Energy class A



#### AVU41SXDPA

42   
59,5 (W) x 57,1 (D) x 82/89 (H)

- 2 glass doors, 2 anti-UV treated layers, stainless steel frame
- 4 semi-sliding metal shelves, wooden front
- 4 semi-sliding metal half shelves, wooden front
- 4 adjustable feet (height 7 cm)
- Thermometer with white electronic display
- White LED lights
- Cooling system: compressor (air moving system)
- Removable aeration grill
- Adjustable temperature range of use : 5° - 18°C / 5° - 18°C
- Energy class A



#### AV18CDZ

17   
29,5 (W) x 57 (D) x 82/89 (H)

- Reversible 3 layers glass door, anti-UV treated, black frame
- 4 sliding wooden shelves
- 4 adjustable feet (height 7 cm)
- Thermometer with white electronic display
- White LED lights
- Cooling system: compressor (air moving system)
- Removable aeration grill
- Adjustable temperature range of use : 5° - 22°C / 5° - 22°C
- Energy class A

OPTIONAL STAINLESS STEEL AERATION GRILLS - refer to p. 21 for further information



# BUILT-UNDER COUNTER WINE CELLARS

Thanks to wide temperature ranges of use of our AVINTAGE™ wine cabinets, you can thus, chamber your bottles or put them at service temperature.

## SINGLE-COMPARTMENT SERVICE WINE CELLARS



### AVU52SX

50 

59,5 (W) x 57,1 (D) x 82/89 (H)

- Reversible 3 layers glass door, anti-UV treated, stainless steel frame
- 3 semi-sliding wooden shelves
- 1 semi-sliding wooden half shelf
- 4 adjustable feet (height 7 cm)
- Thermometer with white electronic display
- White LED lights
- Cooling system: compressor (air moving system)
- Removable aeration grill
- Adjustable temperature range of use : 5° - 18°C
- Energy class A



### AVU23SX

21 

29,5 (W) x 57,1 (D) x 82/89 (H)

- Reversible 3 layers glass door, anti-UV treated, stainless steel frame
- 2 semi-sliding metal shelves, wooden front
- 2 semi-sliding metal half shelves, wooden front
- 4 adjustable feet (height 7 cm)
- Thermometer with white electronic display
- White LED lights
- Cooling system: compressor (air moving system)
- Removable aeration grill
- Adjustable temperature range of use : 5° - 18°C
- Energy class A



### AVU8X

8 

14,5 (W) x 54,75 (D) x 82/89 (H)

- Reversible 3 layers glass door, anti-UV treated, stainless steel frame
- 6 fixed metal shelves
- 4 adjustable feet (height 7 cm)
- Thermometer with white electronic display
- White LED lights
- Cooling system: compressor (air moving system)
- Removable aeration grill
- Adjustable temperature range of use : 5° - 18°C
- Energy class A

Thanks to the 6.5 cm recess of the plinth, you can put an 8<sup>th</sup> bottle of champagne, for example, upright. Ideal for storing a bottle already opened!



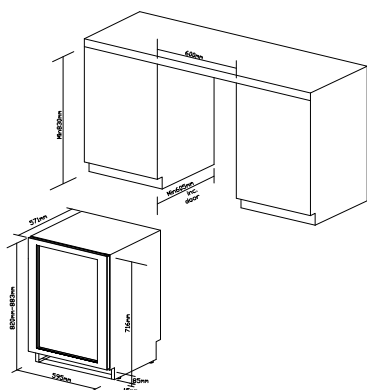
Model: AVU23SX  
Capacity: 21 

OPTIONAL STAINLESS STEEL AERATION GRILLS - refer to p. 21 for further information

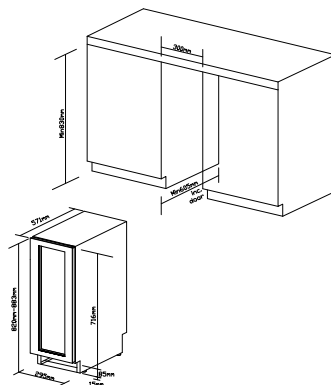


# INSTALLATION DRAWINGS BUILT-UNDER COUNTER

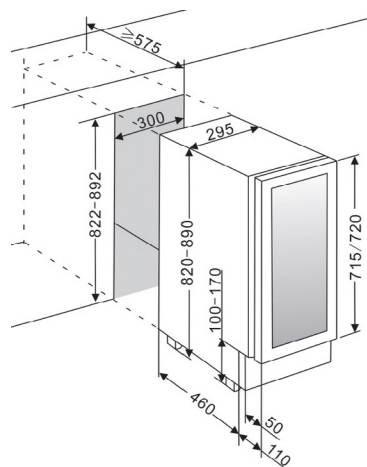
For an easy and quick installation, you will find here all drawings for AVINTAGE™ built-under counter wine cellars. In case of need, do not hesitate to question your kitchen designer or appliance specialist who will guide you in your installation.



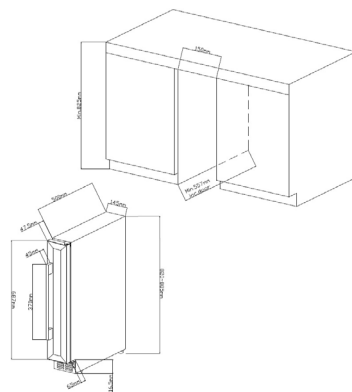
**AVU54SXDZA**  
**AVU53CDZA**  
**AVU41SXDPA**  
**AVU52SX**  
> 83 cm (H)



**AVU23SX**  
> 83 cm (H)



**AV18CDZ**  
> 82,2 cm (H)



**AVU8X**  
> 82,5 cm (H)





Model: DVA305G  
Capacity: 294 

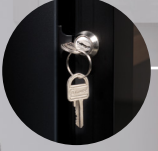
# DIVA EVOLUTION

PERFECTION  
IN EVERY DETAIL



Active charcoal filter for a pure air continuously renewed and filtered

2 layers anti-UV treated tempered glass door



Lock to secure and preserve your finest bottles



Electronic regulation CLIMACONTROL® by LCD display



Fixed or sliding shelves in solid wood

Black metal inner liner



# CONSERVATION WINE CELLARS CLASS A

To taste a wine at its full potential, it is vital the bottle is stored in the best conditions and served at the right temperature. AVINTAGE™ offers a range of cabinets that are as functional as they are attractive, with stylish glass doors.

## THE ⊕ OF THE RANGE



Black glass door  
Lock  
Winter system  
Adjustable temperature range of use : 8° - 18°C



### DVA305G

294 

70 (W) x 71 (D) x 183 (H)

- 2 layers black glass door, anti-UV treated, black frame
- Lock
- 5 fixed PREMIUM 1/70 shelves
- 2 adjustable feet (height 2.5 cm)
- Thermometer and hygrometer with electronic display
- White LED lights
- Winter system
- Charcoal filter
- Cooling system: compressor (static frost)
- Adjustable temperature range of use : 8° - 18°C
- Energy class A

### DVA180G

178 

62 (W) x 71 (D) x 145 (H)

- 2 layers black glass door, anti-UV treated, black frame
- Lock
- 3 fixed PREMIUM 1/62 shelves
- 2 adjustable feet (height 2.5 cm)
- Thermometer and hygrometer with electronic display
- White LED lights
- Winter system
- Charcoal filter
- Cooling system : compressor (static frost)
- Adjustable temperature range of use : 8° - 18°C
- Energy class A

## THE ⊕ OF THE RANGE



Tinted glass door  
Adjustable temperature range of use



### AVV206

196 

70 (W) x 71 (D) x 133 (H)

- 2 layers tinted glass door, anti-UV treated, black frame
- Lock
- 3 fixed PREMIUM 1/70 shelves
- 1 sliding COLLECTOR 1/70 shelf
- 2 adjustable feet (height 4 cm)
- Thermometer with electronic display
- White LED lights
- Winter system
- Charcoal filter
- Cooling system : compressor (static frost)
- Adjustable temperature range of use : 6° - 20°C
- Energy class A

### AVV80

78 

62 (W) x 73 (D) x 82,5 (H)

- 2 layers tinted glass door, anti-UV treated, black frame
- 1 fixed PREMIUM 1/62 shelf
- 2 adjustable feet (height 2.5 cm)
- Thermometer with red electronic display
- White LED lights
- Cooling system: compressor (static frost)
- Adjustable temperature range of use : 5° - 18°C





# POLYVALENT WINE CELLARS PREMIUM

Aimed at the serious amateurs as well as less frequent users, the polyvalent wine cabinets from AVINTAGE™ are designed for both storing and service wine. The choice of three temperature ranges means wine can be kept at room temperature, stored for ageing or chilled. The quality of your precious bottles is therefore maintained over time and you will always have a stock of fine wines ready to enjoy at their ideal tasting temperatures.

## THE ⊕ OF THE RANGE



Black glass door / Lock / Winter system / Adjustable temperature range of use :

- 6° - 10° - 14°C
- 7° - 11° - 15°C
- 8° - 12° - 16°C
- 9° - 13° - 17°C
- 10° - 14° - 18°C



### DVP305G

294 🍷

70 (W) x 71 (D) x 183 (H)

- 2 layers black glass, anti-UV treated, black frame
- Lock
- 3 fixed PREMIUM 1/70 shelves
- 2 fixed COLLECTOR 1/70 shelves
- 2 adjustable feet (height 2.5 cm)
- Thermometer and hygrometer with electronic display
- White LED lights
- Winter system
- Charcoal filter
- Cooling system : compressor (static frost)



### DVP265G

264 🍷

62 (W) x 71 (D) x 186 (H)

- 5 fixed PREMIUM 1/62 shelves
- White LED lights
- Winter system
- Charcoal filter
- Lock



### DVP180G

178 🍷

62 (W) x 71 (D) x 145 (H)

- 3 fixed PREMIUM 1/62 shelves
- White LED lights
- Winter system
- Charcoal filter
- Lock



Model: DVP180G  
Capacity: 178 🍷



# AGEING WINE CELLARS CLASS A+

Aimed at connoisseurs and collectors who want the very best, the ageing wine cabinets from AVINTAGE™ are exclusively designed for long-term storage of your finest bottles and provide the best conditions for your wine to reach full maturity. AVINTAGE™'s ageing wine cabinets offer the ideal environment for your wines - vibration-free at a constant temperature, darkness, hygrometry, pure air - reproducing the conditions found in the ideal natural cellar.



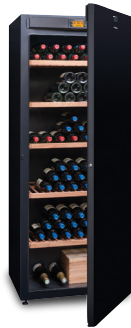
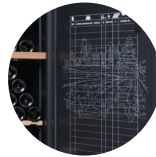
**DHA305PA**  
Automatic\*  
hygrometry control

**DHA305PA**   
**294**   
70 (W) x 71 (D) x 183 (H)

- Glass aspect black plain door
- Wine register
- Lock
- 5 fixed PREMIUM 1/70 shelves
- 2 adjustable feet (height 2.5 cm)
- Thermometer and hygrometer with electronic display
- White LED lights
- Winter system
- Charcoal filter
- Cooling system: compressor (static frost)
- Adjustable temperature range of use : 8° - 18°C
- \*Automatically controls the hygrometry level desired
- Energy class A

## THE ⊕ OF THE RANGE

Glass aspect  
black plain door  
Wine register  
Lock  
Winter system  
Adjustable temperature  
range of use : 8° - 18°C



**DVA305PA+**   
**294**   
70 (W) x 71 (D) x 183 (H)

- 5 fixed PREMIUM 1/70 shelves
- Natural hygrometry management
- Energy class A+



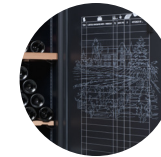
**DVA265PA+**   
**264**   
62 (W) x 71 (D) x 186 (H)

- 5 fixed PREMIUM 1/62 shelves
- Natural hygrometry management
- Energy class A+



## THE ⊕ OF THE RANGE



Black plain door  
Wine register  
Winter system



**AV306A+**   
**294**   
70 (W) x 71 (D) x 183 (H)

- Black plain door
- Wine register
- Lock
- 3 fixed PREMIUM 1/70 shelves
- 1 sliding COLLECTOR 1/70 shelf
- 1 fixed COLLECTOR 1/70 shelf
- 2 adjustable feet (height 4 cm)
- Thermometer with electronic display
- White LED lights
- Winter system
- Charcoal filter
- Cooling system: compressor (static frost)
- Adjustable temperature range of use : 6° - 20°C
- Energy class A+




**AV176A+**   
**178**   
62 (W) x 71 (D) x 145 (H)

- 2 fixed PREMIUM 1/62 shelves
- 1 fixed COLLECTOR 1/62 shelf
- Adjustable temperature range of use : 12°C +/- 2°C
- Energy class A+





Model: DVP265G

Capacity: 264 



Model: DVA305G  
Capacity: 294 

# ACCESSORIES

AVINTAGE™ offers you various accessories to maintain and complete your cellar according to your own needs: shelves, charcoal filters, lava stones, thermometer-hygrometer, etc. Made from solid sapele, a durable and rot-proof hardwood, or stainless metal, the shelves let you personalise the interior layout of your cabinet to your exact needs and make your model personal.

## COLLECTOR

1/62 or 1/70  
Reversible wooden shelf  
Bordeaux / Burgundy



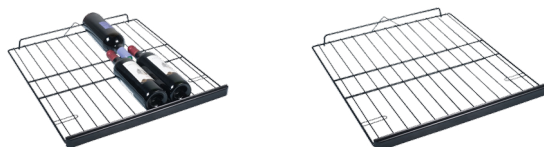
## PREMIUM

1/62 or 1/70  
Solid wooden shelf



## CLASSIQUE

2/62  
Metal shelf,  
black wooden front



## MODULPELLI

Adjustable configuration allowing to store Bordeaux, Burgundy, Champagne and Magnum. Thanks to the rulers and removable bars, you can adapt your shelf to the wine type you want to store and thus, optimize your storage capacity, only suitable for 62 cm wide cabinets



## WOODEN PRESENTATION KIT

PRESENTATION62  
or PRESENTATION70  
Adaptable with PREMIUM 1/62 or PREMIUM 1/70 shelf, compatible with sliding rails RAILV3, sold without basic shelf



## METAL PRESENTATION KIT

KITPREPREMIUMBGN  
Adaptable with PREMIUM 1/70 shelf, installation set included with 2 side panels, 2 cross bars, 4 wooden screws and 8 metal screws, sold without basic shelf



## RAILS

RAILV3  
Adaptable with COLLECTOR 1/62, COLLECTOR 1/70, PREMIUM 1/62, PREMIUM 1/70 or CLASSIQUE 2/62 shelf



## ACTIVE CHARCOAL FILTER

FILTRE1  
Pure air continuously renewed and filtered



## THERMOMETER HYGROMETER

BLTY01  
For temperature and hygrometry control



## LABELS

For an easy identification of your bottles



## LAVA STONES

For hygrometry control, sold in a bag without box



## BOX FOR LAVA STONES

For hygrometry control, sold without lava stone



## STAINLESS STEEL PLINTHS



SSPL15  
Width 15 cm  
Cabinet compatibility:  
AVU8X




SSPL30  
Width 30 cm  
Cabinet compatibility:  
AVU23SX




SSPL60  
Width 60 cm  
Cabinet compatibility:  
AVU54SX DZA - AVU53CDZA  
AVU41SX DPA - AVU52SX





Model: AVU8X  
Capacity: 8 

# ALL CABINETS SPECIFICATIONS

PRODUCT REFERENCE	USE	INSTALLATION	ENERGY CLASS	CAPACITY <sup>1</sup> 	DOOR TYPE	NET WIDTH (cm)	NET DEPTH (cm)	NET HEIGHT (cm)	REVERSIBLE DOOR	EAN CODE
<b>DHA305PA</b>	Ageing wine cellar	Free standing	A	294	Plain	70	71	183	No <sup>2</sup>	3595320105155
<b>DVA305PA+</b>	Ageing wine cellar	Free standing	A+	294	Plain	70	71	183	No <sup>2</sup>	3595320102444
<b>DVA265PA+</b>	Ageing wine cellar	Free standing	A+	264	Plain	62	71	186	No <sup>2</sup>	3595320102468
<b>AV306A+</b>	Ageing wine cellar	Free standing	A+	294	Plain	70	71	183	No <sup>2</sup>	3595320102765
<b>AV176A+</b>	Ageing wine cellar	Free standing	A+	178	Plain	62	71	145	No <sup>2</sup>	3595320102741
<b>AVV206</b>	Conservation wine cellar	Free standing	A	196	Glass	70	71	133	No	3595320104233
<b>AVV80</b>	Conservation wine cellar	Free standing	B	78	Glass	62	73	82,5	No	3595320104325
<b>DVA305G</b>	Conservation or chambrage wine cellar	Free standing	A	294	Glass	70	71	183	No <sup>2</sup>	3595320102420
<b>DVA180G</b>	Conservation or chambrage wine cellar	Free standing	A	178	Glass	62	71	145	No <sup>2</sup>	3595320102475
<b>DVP305G</b>	Polyvalent wine cellar	Free standing	B	294	Glass	70	71	183	No <sup>2</sup>	3595320102437
<b>DVP265G</b>	Polyvalent wine cellar	Free standing	B	264	Glass	62	71	186	No <sup>2</sup>	3595320102451
<b>DVP180G</b>	Polyvalent wine cellar	Free standing	B	178	Glass	62	71	145	No <sup>2</sup>	3595320102482
<b>AVI97X3ZI</b>	Triple compartment service wine cellar	Built-in column	B	97	Glass	59,5	55,9	178,8	Yes	3595320104516
<b>AVI94X3Z</b>	Triple compartment service wine cellar	Built-in column	D	71	Glass	59,2	55,7	123	Yes	3595320104714
<b>AVI81XDZ</b>	Double compartment service wine cellar	Built-in column	C	79	Glass	59,2	55,7	123	Yes	3595320104691
<b>AVI82CDZ</b>	Double compartment service wine cellar	Built-in column	C	79	Glass	59,2	55,7	123	Yes	3595320104707
<b>AVI47XDZ</b>	Double compartment service wine cellar	Built-in column	B	52	Glass	59,5	55,7	88,7	Yes	3595320104677
<b>AVI48CDZ</b>	Double compartment service wine cellar	Built-in column	B	52	Glass	59,5	55,7	88,7	Yes	3595320104684
<b>AV60CDZ</b>	Double compartment service wine cellar	Built-in column	A	36	Glass	59	60,8	59,5	Yes	3595320103953
<b>AVI61XDZA</b>	Double compartment service wine cellar	Built-in column	A	36	Glass	59	60,8	59,5	Yes	3595320105209
<b>AVI24PREMIUM</b>	Single compartment service wine cellar	Built-in column	A	24	Glass	59,2	55,5	45,9	No	3595320103748
<b>AV22XI</b>	Single compartment service wine cellar	Built-in column	A	22	Glass	59	55,7	45,5	Yes	3595320104486
<b>AVU54SXDZA</b>	Double compartment service wine cellar	Free standing and built-under counter	A	50	Glass	59,5	57,1	82/89	Yes	3595320105100
<b>AVU53CDZA</b>	Double compartment service wine cellar	Free standing and built-under counter	A	50	Glass	59,5	57,1	82/89	Yes	3595320105094
<b>AVU52SX</b>	Single compartment service wine cellar	Free standing and built-under counter	A	50	Glass	59,5	57,1	82/89	Yes	3595320104745
<b>AVU41SXDPA</b>	Double compartment service wine cellar	Free standing and built-under counter	A	42	Glass	59,5	57,1	82/89	No	3595320105131
<b>AVU23SX</b>	Single compartment service wine cellar	Free standing and built-under counter	A	21	Glass	29,5	57,1	82/89	Yes	3595320104721
<b>AV18CDZ</b>	Double compartment service wine cellar	Free standing and built-under counter	A	17	Glass	29,5	57	82/89	Yes	3595320103960
<b>AVU8X</b>	Single compartment service wine cellar	Built-under counter	A	8	Glass	14,5	54,75	82/89	Yes	3595320105070

<sup>1</sup> Capacity given with 75cl Bordeaux traditional type bottles. Adding shelves reduces considerably the total capacity.

<sup>2</sup> For DIVA range, possibility to order a model with door opening from right to left (right side door handle).

# TANGLEWOOD

WINE ACCESSORIES



**TELEPHONE 01932 348 720**

SPRINGFIELD HOUSE 23 OATLANDS DRIVE  
WEYBRIDGE SURREY KT13 9LZ

**tanglewoodwine.co.uk**

# avintage



---

143, boulevard Pierre Lefauchaux  
72230 Arnage - France

**02 43 20 69 37**  
**www.avintage.com**

An after-sales service organized for your serenity.  
Further information on [www.interfroidservices.fr](http://www.interfroidservices.fr) or by mail at [savclimadiff@interfroidservices.com](mailto:savclimadiff@interfroidservices.com).

AVINTAGE by CLIMADIFF is constantly improving its products and therefore cannot guarantee that it will not modify its product specifications without prior notice.  
Consequently, there may be differences between the product featured in this catalogue and the product delivered to you. We cannot be held liable for printing errors