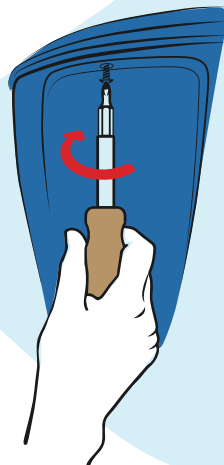
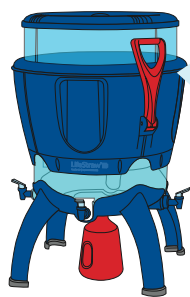
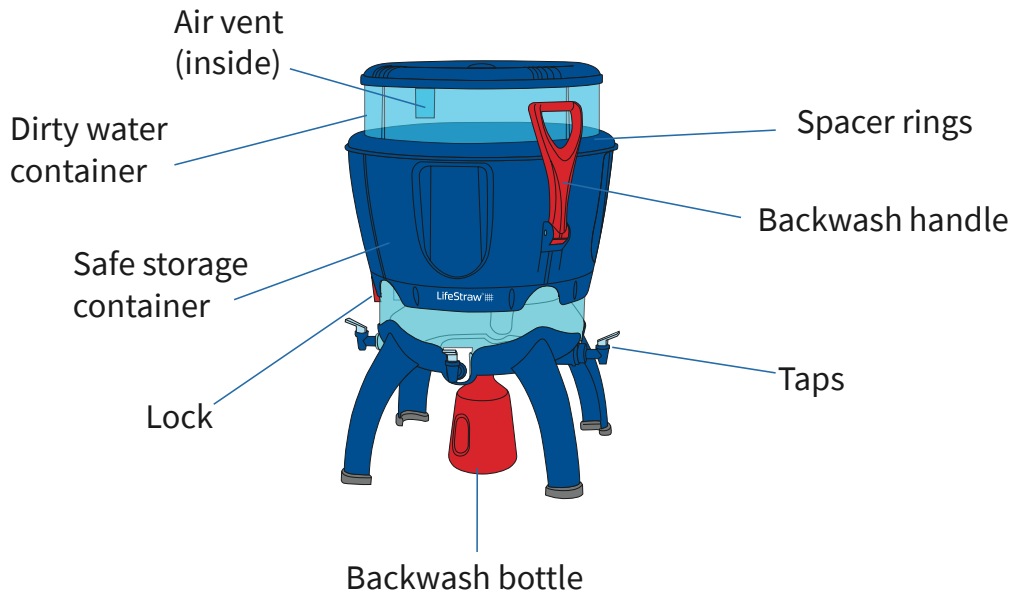


How to replace the filter cartridge



01

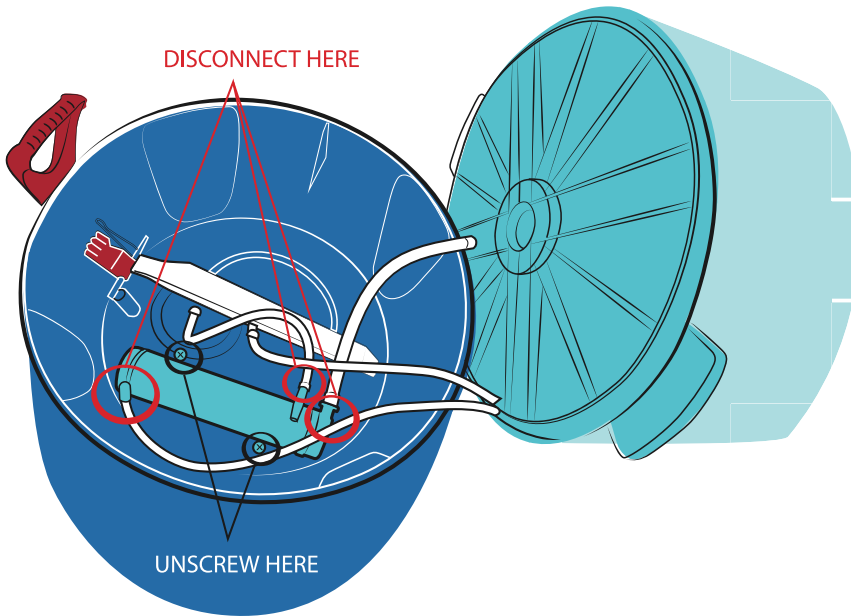
Empty the LifeStraw Community and place it on the ground. Use a screwdriver to remove all four screws under the spacer ring.



02

Then carefully remove the two parts of the spacer ring. Then lift up the dirty water container.

03 Disconnect the cartridge from the hoses.
Unscrew the two screws.

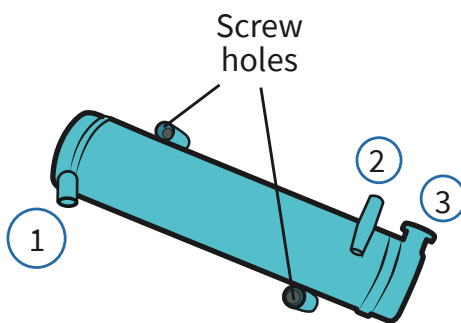


04

Before disconnecting the hoses, number each hose with a permanent marker, and also write their connecting position on the cartridge to ensure that they are reconnected properly.

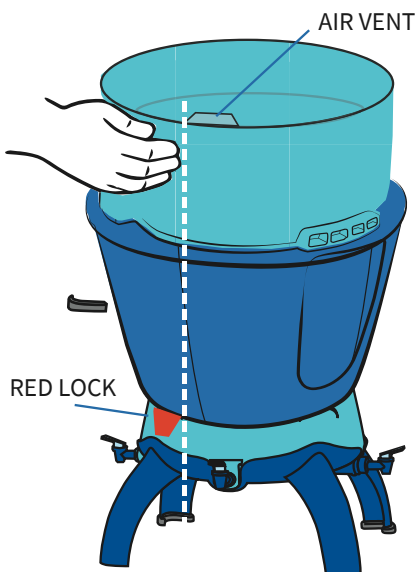
05

Place the new cartridge on its position on the spacer body. Fix the two screws to place the new cartridge. Connect the 3 tubes to the corresponding hoses. It's important to make sure that hoses are placed correctly and not twisted. The hoses must be fully inserted into the respective plastic tubes (at least 1/2 inch in) and then secured with the twistie tie.



06

Make sure that the dirty water container is placed correctly over the handles of the safe storage container. The air vent must be placed facing the red lock on the side. Before the spacer rings are screwed back on, make sure that hoses are correctly attached and not twisted.



Is the mounting correct?

NOT OK if:

- No filtration
- Filtration rate is twice as fast as before
- No backwash water
- The backwash bottle fills twice as fast after using the backwash handle