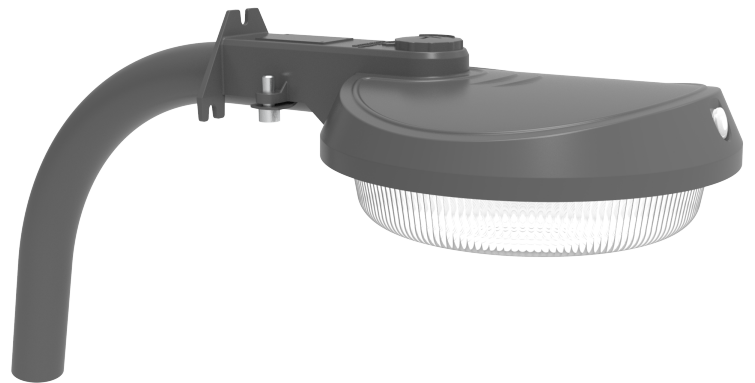


LED DUSK TO DAWN LIGHT

Features

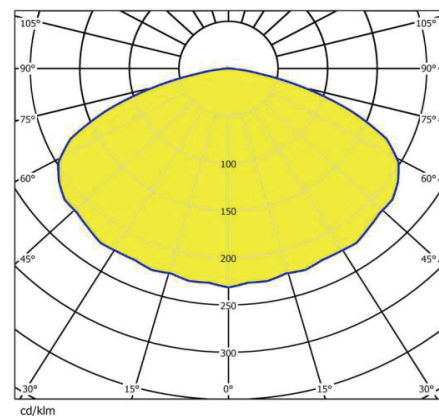
- ◆ DLC5.1 Premium/cULus certificate
- ◆ Using high quality SMD2835 chips
- ◆ 35-65W optional
- ◆ Up to 170LM/W
- ◆ 140° beam angle
- ◆ IP66 rated, suitable for wet location
- ◆ Corrosion resistant cold forged aluminum construction
- ◆ Operating temperature: -20°C~ 45°C
- ◆ 5 years warranty



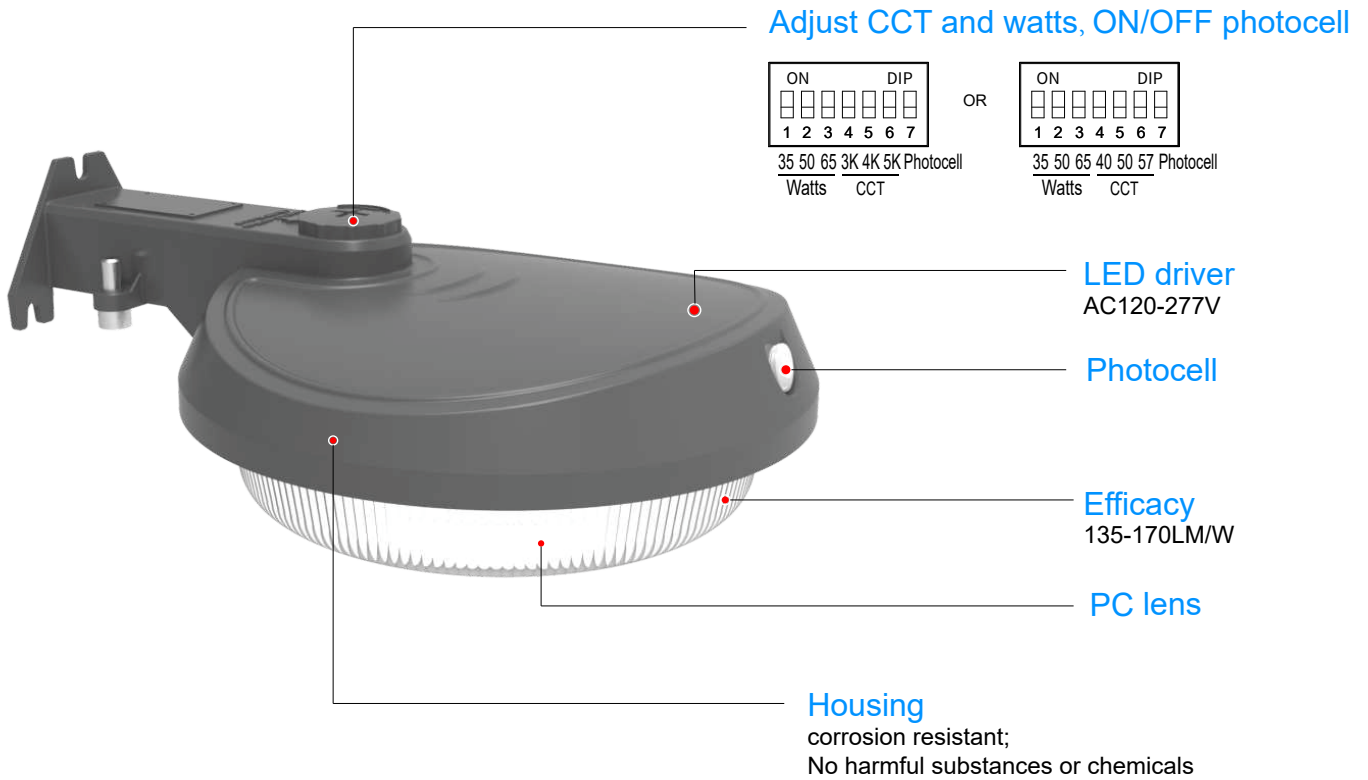
Application

- ◆ General Area Illumination
- ◆ Entryways & Pathways
- ◆ Yards & Loading Docks

Photometric



SPECIFICATION FEATURES



Parameters

Model	Power	Input voltage	CRI	CCT	Efficacy	Lumen
X-DD35W-XXKSV	35W	AC120-277V	>70	3000K 4000K 5000K 5700K	140LM/W	4900LM
X-DD50W-XXKSV	50W					7000LM
X-DD65W-XXKSV	65W					9100LM

Model	Power	Input voltage	CRI	CCT	Efficacy@MIX4000K	Efficacy@5000K
X-DD(35/50/65)W-(30/40/50)KSV	35W	AC120-277V	>70	3000K 4000K 5000K	160LM/W	155LM/W
	50W				155LM/W	145LM/W
	65W				150LM/W	135LM/W

Model	Power	Input voltage	CRI	CCT	Efficacy@MIX5000K	Efficacy@5700K
X-DD(35/50/65)W-(40/50/57)KSV	35W	AC120-277V	>70	4000K 5000K 5700K	170LM/W	160LM/W
	50W				165LM/W	145LM/W
	65W				160LM/W	135LM/W

Ordering Guide

For example: X-DD(35/50/65)W-(30/40/50)KSV

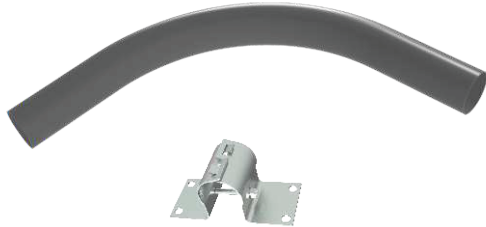
Brand	Product name	Power	CCT	Input voltage
X	DD	XXK	XXK	AA
XSY	DD	35W=35W 50W=50W 65W=65W (35/50/65)W=35W 50W 65W	30K=3000K 40K=4000K 50K=5000K 57K=5700K (30/40/50)K=3000K 4000K 5000K (40/50/57)K=4000K 5000K 5700K	SV=AC120-277V

Accessories

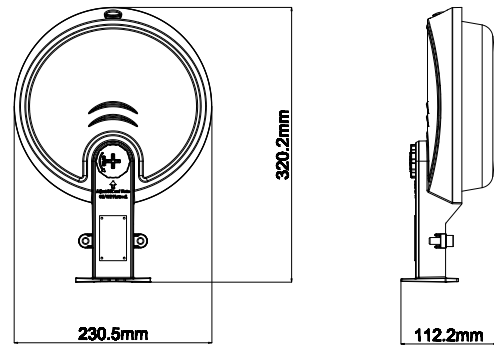
Mounting arm kit

USE: For pole mounting

PACKAGE: 20PCS/Carton/13.5KG



Dimension



Package Info

Model	Accessories	Carton Dimension(mm)	Qty/Carton	N.W	G.W	20GP	40HQ
X-DDXXW-XXKSV	/	L360 x W270 x H135	1PC	1.50KG	2.20KG	2016PCS	4536PCS
X-DDXXW-XXKSV	Mounting arm kit	L360 x W270 x H145	1PC	2.10KG	2.80KG	1890PCS	4284PCS

Safety Precaution

To reduce the risk of death, personal injury or property damage from fire, electric shock, falling parts, cuts/abrasions, and other hazards read all warnings and instructions included with and on the fixture box and all fixture labels.

Before installing, servicing, or performing routine maintenance upon this equipment, follow these general precautions.

Commercial installation, service and maintenance of luminaires should be performed by a qualified licensed electrician.

For The installati on: If you are unsure about the installation or maintenance of the luminaires, consult a qualified licensed electrician and check your local electrical code.

To prevent wiring damage or abrasion, do not expose wiring to edges of sheet metal or other sharp objects.

Do not make or alter any open holes in an enclosure of wiring or electrical components during kit installation.

WARNING: RISK OF FIRE OR ELECTRICAL SHOCK

Turn off electrical power at fuse or circuit breaker box before wiring fixture to the power supply.

Turn off the power when you perform any maintenance.

Verify that supply voltage is correct by comparing it with the luminaire label information.

Make all electrical and grounded connections in accordance with the National Electrical Code and any applicable local code requirements.

All wiring connecti ons should be capped with UL approved wire connectors.

CAUTION: RISK OF INJURY

Avoid direct eye exposure to the light source while it is on.

Account for small parts and destroy packing material, as these may be hazardous to children.