

## 3CCT Turnable 8" Commercial Downlight Specification

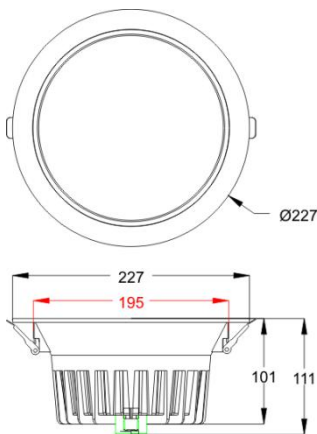
### Description

8" CCT commercial LED SMD downlight comes complete with an external driver in a junction box. Commercial grade quality with architectural design.

### Features and Benefits

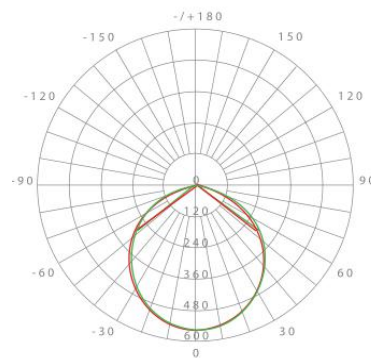
- **Plenum & Type IC Rated:** No housing Required.
- **Fast & Easy Installation:** Save labor cost.
- **Voltage:** 100-277V AC perfect
- **Triac Dimming & 3CCT Selected.**
- **CRI 80:** True color rendering is for option .
- **ETL-listed:** reliable quality and safe operation.
- Suitable for damp locations.

### Dimension Drawing

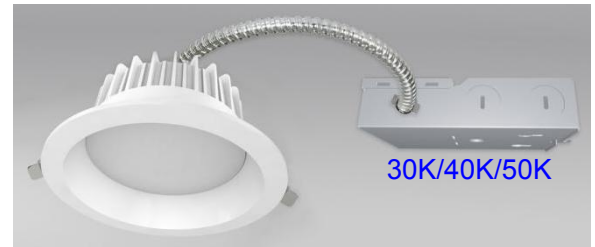


Unit: mm

### Photometric Data



Item No. : **JXL-TE08-T25W-CCT-XX**



100-277V AC

Triac Dimming



### Specifications

Input Power	25W
Input Voltage:	100-277V AC, 50/60HZ
Lumen	1900-2100LM
Halogen Equivalent	200W
Efficiency	80LM/W
CRI	>82Ra (CRI 90 for option)
Power Factor	0.95
LED Chip	84pcs SMD2835 (0.5W/pc)
Beam Angle	110°
Color Temperature	3000K /4000K/5000K
Dimension	Ø227X111mm
Cutout Size	Ø195mm
Dimming	Triac dimmable
Approved Locations	Insulated ceilings
Air Tight	Yes
Lamp Life	70% light output at 50000hrs
Certification	ETL , cETL,
Warranty	5 years
Qty/ Ctn	5pcs/ ctn
Ctn Size	
Gross Weight	



## Great Features and Benefits

- **Appearance:** Patent design, with unique appearance, easier for marketing.
- **Body:** Durable, die cast aluminum alloy & heavy gauge aluminum reflector allows heat dissipation.
- **Paint:** White, Nickel and Black for choice--Scratch resistant and smooth finish.
- **LEDs:** LM80 San'an 2835 LED ( 0.5W/pc ), which guaranteed high lumen and high quality.
- **Driver:** Isolated LED driver with 5 years warranty. 100-277V AC perfect Triac Dimming.
- **Junction Box:** Included, install directly in Insulated Ceilings (IC) without any thermal housing.
- **Application:** Designed to replace with most existing 8-1/2" – 9" aperture architectural incandescent, fluorescent and metal halide housings.LL
- **Color Selected :** 3000K /4000K /5000K