

Installation Instruction

WARNING

- To reduce the risk of death, personal injury or property damage from fire, electric shock, falling parts, cuts/abrasions, and other hazards read all warnings and instructions included with and on the fixture box and all fixture labels.
- Before installing, servicing, or performing routine maintenance upon this equipment, follow these general precautions.
- Commercial installation, service and maintenance of luminaires should be performed by a qualified licensed electrician.
- For the installation: If you are unsure about the installation or maintenance of the luminaires, consult a qualified licensed electrician and check your local electrical code.
- To prevent wiring damage or abrasion, do not expose wiring to edges of sheet metal or other sharp objects.
- Do not make or alter any open holes in an enclosure of wiring or electrical components during kit installation.

WARNING

- Turn off electrical power at fuse or circuit breaker box before wiring fixture to the power supply.
- Turn off the power when you perform any maintenance.
- Verify that supply voltage is correct by comparing it with the luminaire label information.
- All wiring connections should be capped with UL approved wire connectors.

CAUTION

- Avoid direct eye exposure to the light source while it is on.
- Account for small parts and destroy packing material, as these may be hazardous to children.
- Risk of burn. Disconnect power and allow fixture to cool before changing handing fixture.

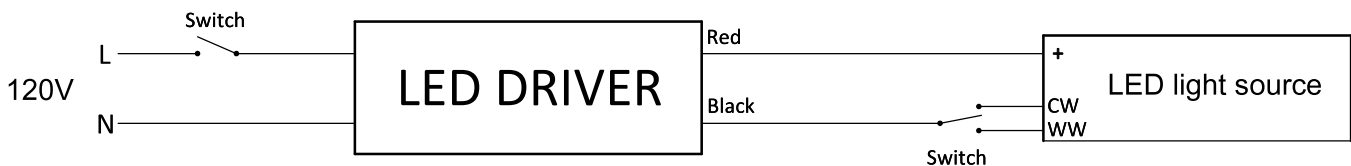
NOTICE: Green ground screw provided in proper location. Do not relocate.

NOTICE: Minimum 90° supply conductors.

NOTICE: Specifications and dimensions subject to change without notice.

NOTICE: Suitable for Dry or Damp location.

General Wiring Diagram

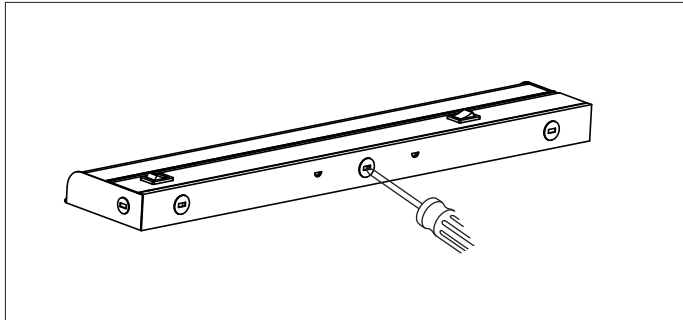


Installation Instruction

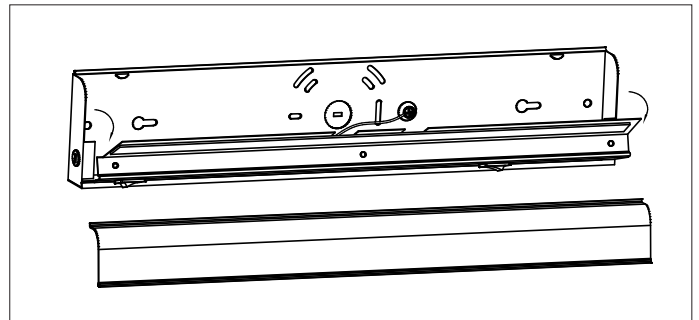
Disconnect electrical power at fuse or circuit breaker box before installing or servicing any part of this fixture. Carefully remove the fixture from the carton, and check that all parts and included.

Wall Mount - No J-Box

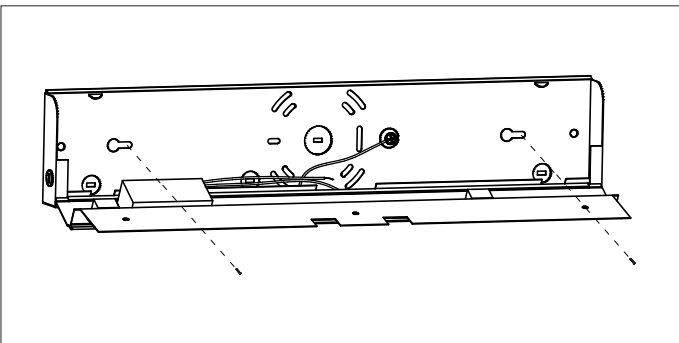
1. Carefully take out the product from the box. Remove the round knock-out in the luminaire housing that is nearest the location of incoming power wires.



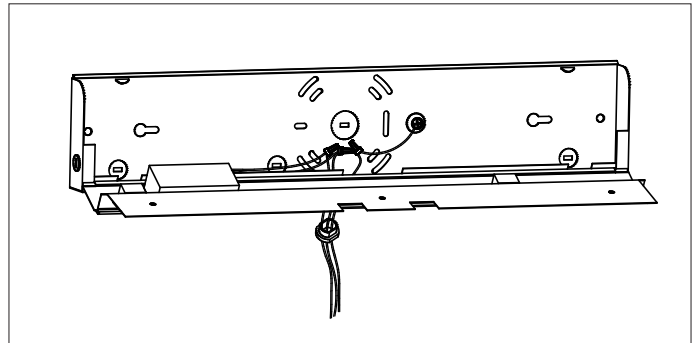
2. Remove the lens and LED driver cover from the luminaire.



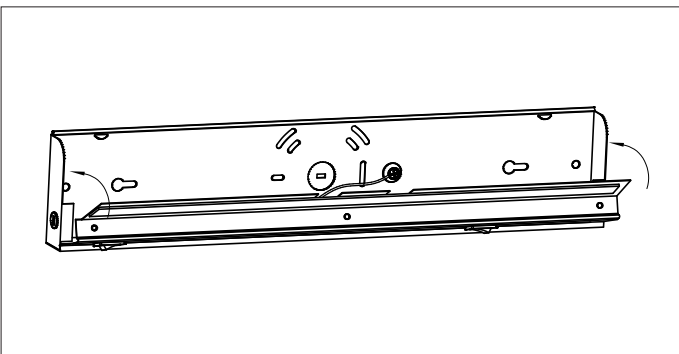
3. Position the luminaire housing in the desired location, and then mark and drill mounting holes at the narrow ends of the keyhole slots. Screw in mounting screws leaving space for channel body. Slide channel over mounting screws. Lift and shift channel into position and tighten screws.



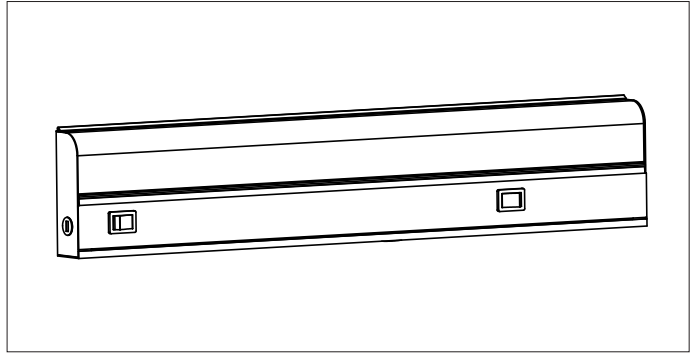
4. Make connections from the incoming power wires to the driver input power wires.



5. Reattach the driver cover assembly to the luminaire housing, and then pressing the cover back until it is retained by the slots.



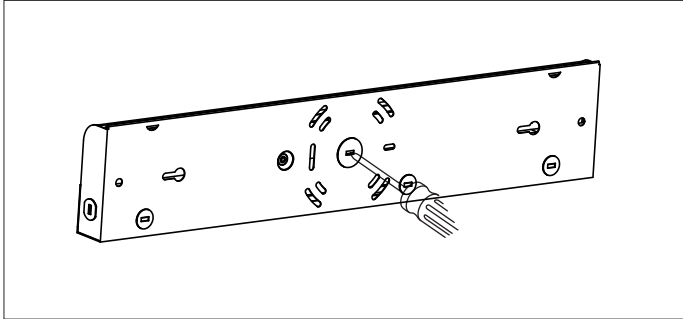
6. Reattach the lens onto the luminaire housing.



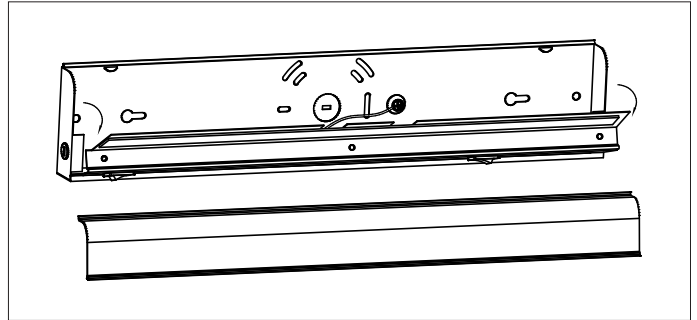
Installation Instruction

Wall Mount - Over Octagonal J-Box

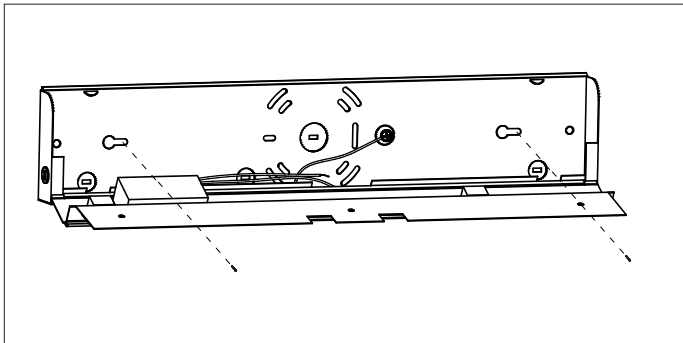
1. Carefully take out the product from the box. Remove the center knockout from the back of the luminaire.



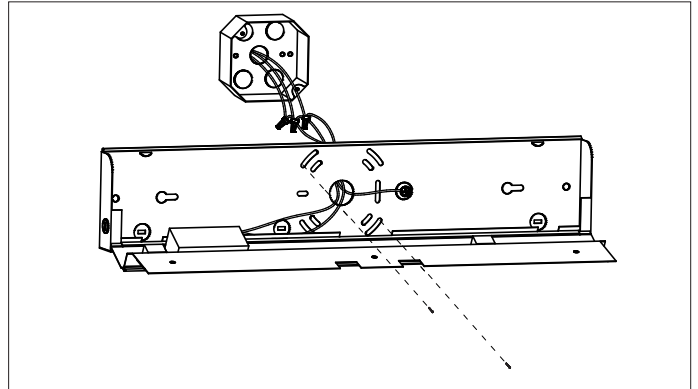
2. Remove the lens and LED driver cover from the luminaire.



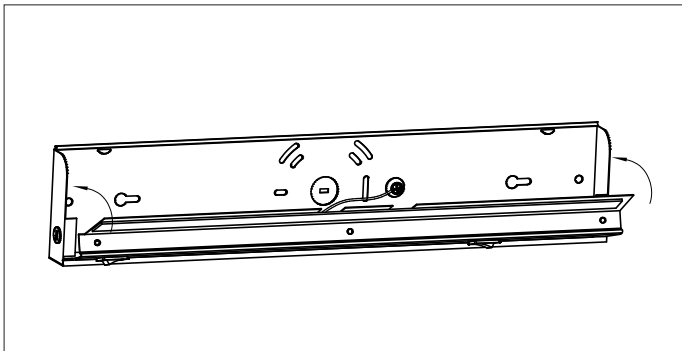
3. Position the luminaire housing in the desired location, and then mark and drill mounting holes at the narrow ends of the keyhole slots. Screw in mounting screws leaving space for channel body. Slide channel over mounting screws. Lift and shift channel into position and tighten screws.



4. Make connections from the incoming power wires to the driver input power wires. Position the junction box mounting holes over the junction box and secure.



5. Reattach the driver cover assembly to the luminaire housing, and then pressing the cover back until it is retained by the slots.



6. Reattach the lens onto the luminaire housing.

