

ОТКРЫТИЕ
ПРОДАЖ

214-Ф3

ЖИЛОЙ КОМП.
КРЫЛА

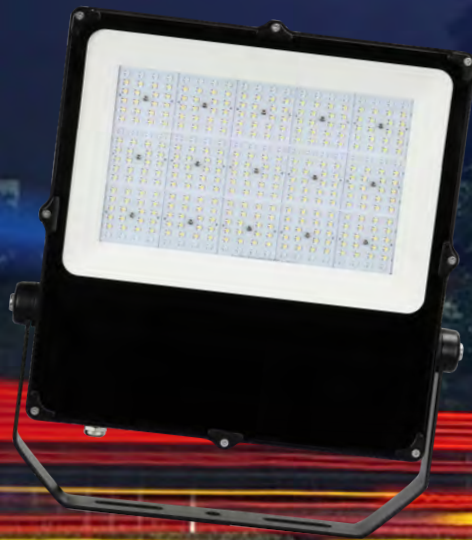
+7 (495) 925 75 75

WWW.9257575.RU

ПРОЕКТНАЯ ДЕКЛАРАЦИЯ НА САЙТЕ



МОСКВА
РУБЛЕВСКОЕ
ШОССЕ, 68-70



LED Flood Light
EV-B Series

POWER ADJUSTABLE 100W/150W/200W



Description

EV-B Flood Light Series is a general-purpose LED flood lighting luminaire for various lighting applications, such as area lighting, sports lighting, bill board, facade, industry area, security lighting and other general applications.

It incorporates LED light sources, optical system, heat sink and drivers into one compact housing which ensures the LED's have a long life.

Benefits

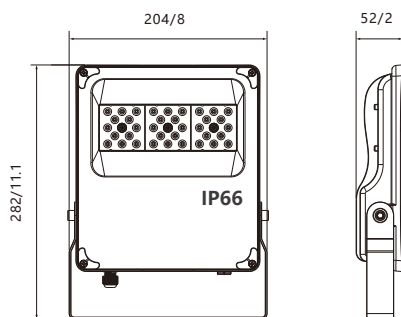
- Tempered glass cover to reduce glare;
- Optimized weight and size due to compact design;
- Versions with sensor or asymmetrical beam angle available;
- Aluminium die-cast housing with IP65 construction enhances durability and reliability;
- Better thermal management results in sturdy performance of the luminaire that gives a maintenance free and long service life;
- Best-in-class and long life LEDs with good LED driver results in upto 80% energy savings;
- Power adjustable.

Specifications

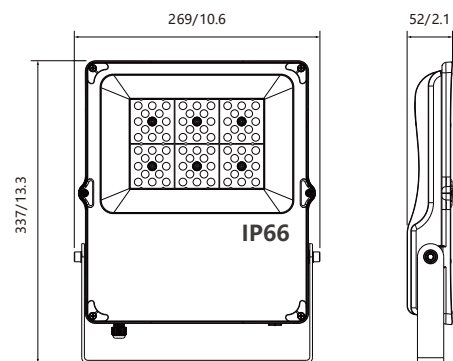
Model	EV-50BC2-C	EV-80BC2-C	EV-100BC2-C	EV-150BC2-C	EV-200BC2-C	EV-300BC2-C	EV-400BC2-C
Wattage	50W	80W	100W	150W	100/150/200W(adjustable)	300W	400W
Beam Angle	30° / 60°/ 90°/ 120°						
CCT	5000K						
Operating Temp	-30°C to +45°C						
Voltage	AC 100-277V or AC 277-480V						
Frequency	50/60Hz						
CRI	80						
PF	>=0.90						
Power Efficiency	>=90%						

Dimension (mm)

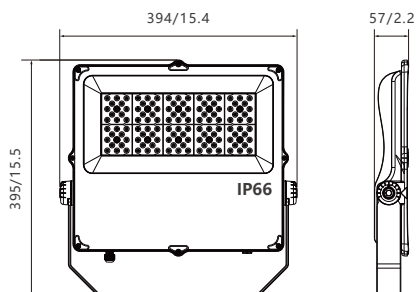
50W



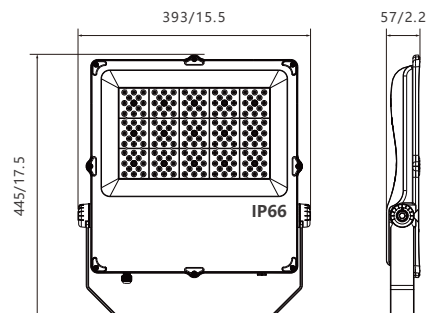
80W



100W

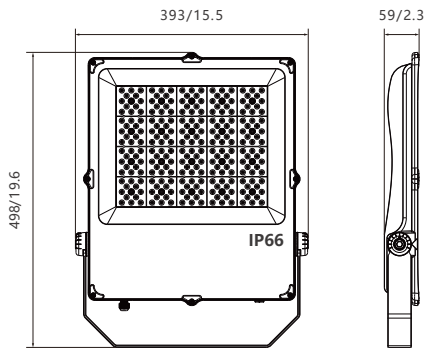


150W

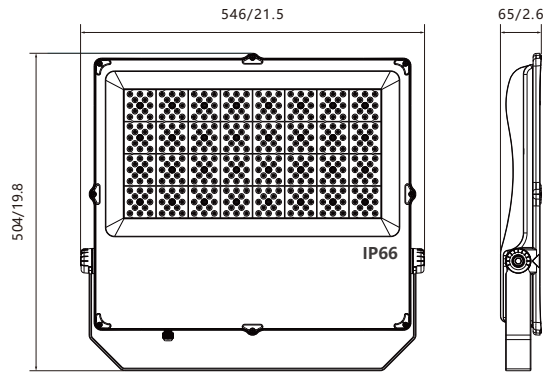


Dimension (mm)

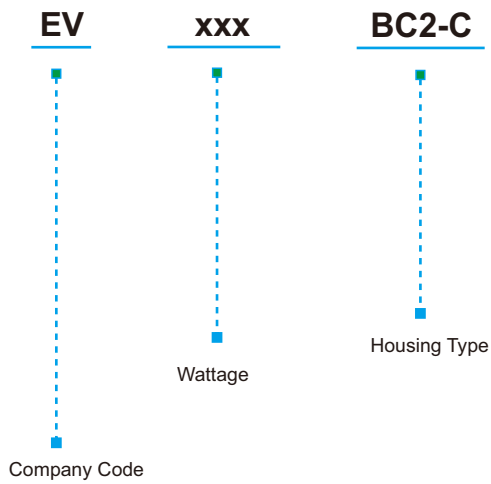
200W



300W/400W



Ordering Information



Applications

- City Roads
- Highways
- Periphery
- Parking Areas
- Parks & Gardens
- Security Lighting
- Industry & Office Campuses

