

UFO LED High Bay Light



Characteristics

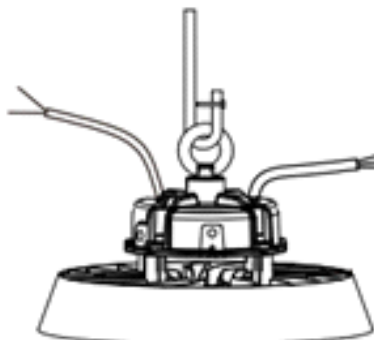
- Its made of SMD2835 for application which requires maximum performance and minimum maintenance .
- Heavy duty die-cast aluminum housing, fully sealed to be dirt and bug proof polyester power-coated finish, rust and corrosion proof, stabilized to extreme climate changes without cracking or peeling.
- IP 65 waterproof protection.
- High quality glass lens with high lumen efficacy
- Newmodel asy for installation and maintenance.
- This high bay energy saving is 70%, can be used for warehouse, indoor stadium, badminton court basketball court, workshop and other lighting application
- Black and white shell are available.

Technique Parameter

Power	100W	150W	200W	240W
Certification	DLC Premium ETL / cETL			
Lumen	15000lm	22500lm	30000lm	36000lm
Luminous Efficiency	150lm/w			
Input Voltage	120-277VAC, 50-60Hz			
LED Brand	CREE			
Power Supply	Sosen			
CCT	5000K			
CRI	>70Ra			
Beam Angle	120°			
Ingress protection	IP65			
Operation Temperature	-4~113°F			
Lamp Dimension	Φ10.6x7.0in	Φ10.6x7.0in	Φ12.6x7.0in	Φ12.6x7.0in
Net Weight	6.6lbs	6.6lbs	8.0lbs	8.0lbs

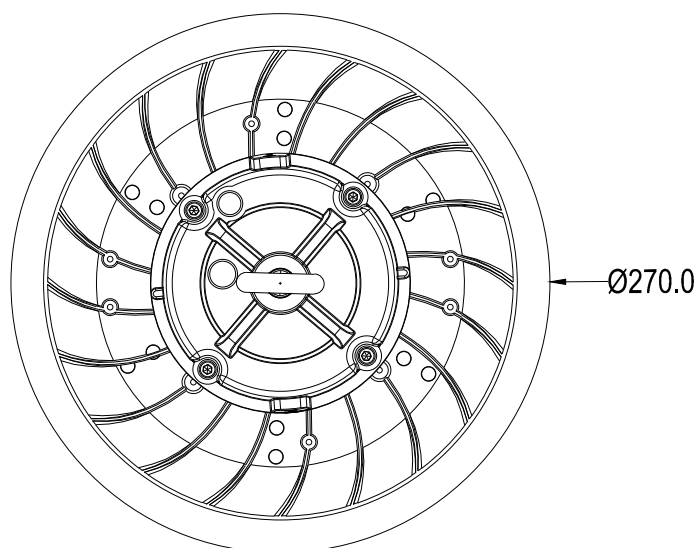
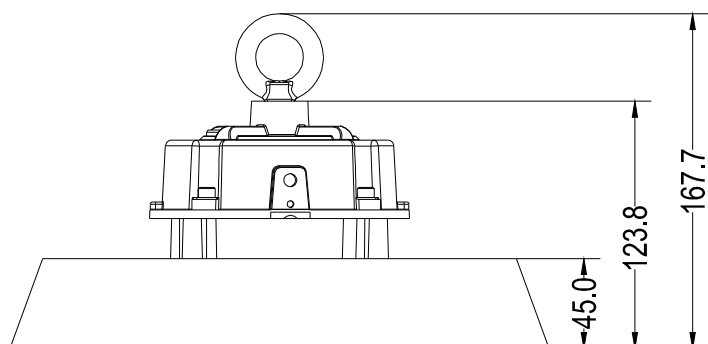
Installation

1. Hook Suspended Mounting

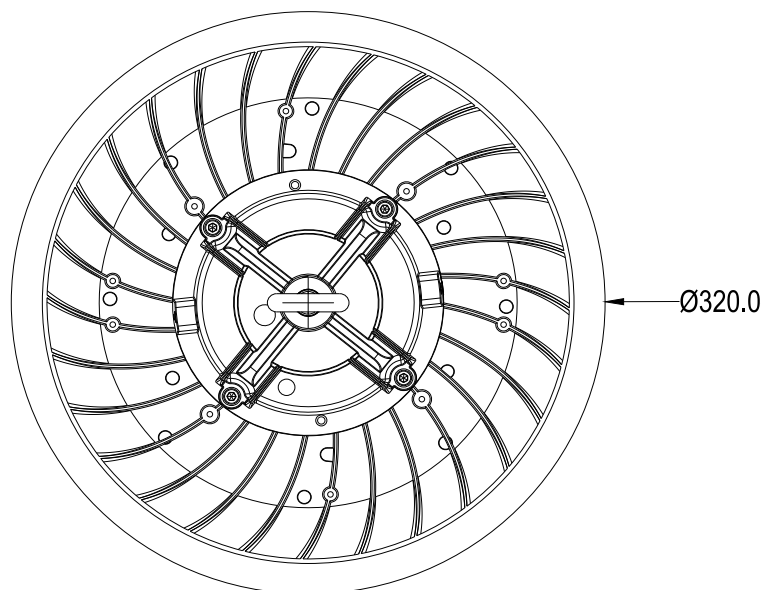
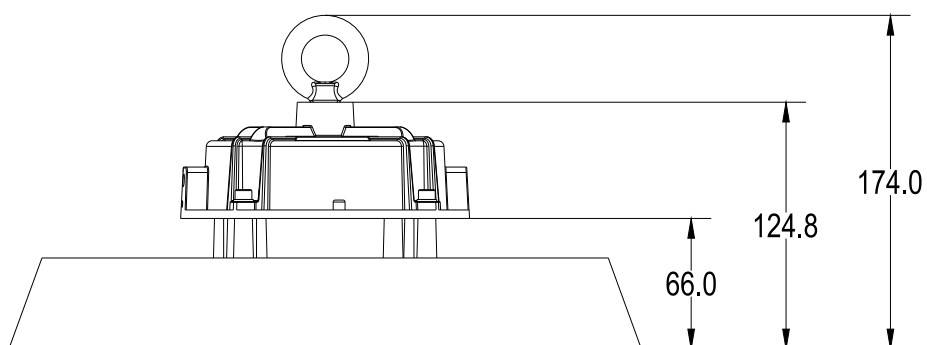


Dimensions: (mm)

100W/150W



200W/240W



Packing

NO	Power	Carton Size (L xW xH)	G.W./Ctn	QTY/Ctn (PCS)
1	100W	12.6x12.6 x 7 in	6.6lbs	1
2	150W	12.6x12.6 x 7 in	6.6lbs	1
3	200W	14.6x14.6 x 7 in	10.0lbs	1
4	240W	14.6x14.6 x 7 in	10.0lbs	1

