

Installation Instructions

UFO High Bay

Important

READ INSTRUCTIONS CAREFULLY BEFORE INSTALLING. KEEP THIS INSTRUCTIONS FOR FUTURE REFERENCE

Fixtures must be wired in accordance with the National electrical code and all applicable local codes. Proper grounding is required for safety.

THIS PRODUCT MUST BE INSTALLED IN ACCORDANCE WITH THE APPLICABLE INSTALLATION CODE BY A QUALIFIED ELECTRICIAN WHO IS FAMILIAR WITH THE CONSTRUCTION AND OPERATION OF THE PRODUCT AND THE HAZARDS INVOLVED.

WARNING: Risk of fire or electric shock. High bay Light installation requires knowledge of luminaires and electrical systems. If not qualified, DO NOT try to install. Please contact an electrician.

WARNING: Risk of fire or electric shock. Suitable for wet locations. Make sure the power is off permier to install.

WARNING: Risk of fire or electric shock. Suitable for non-insulated surface and frame. DO NOT cover fixture with insulation liner or similar material.

WARNING: DO NOT install in unstable, loose or breakable surfaces.

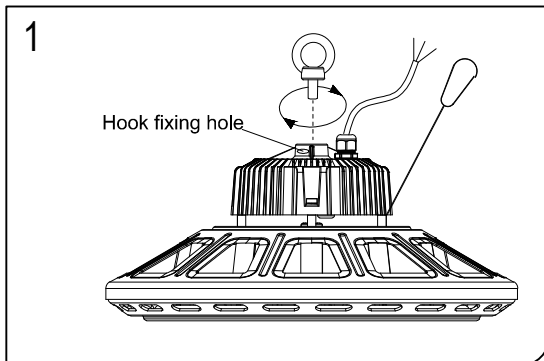
WARNING: DO NOT let objects impact or exert force on the surface of the fixture.

Installation and Electrical Connection

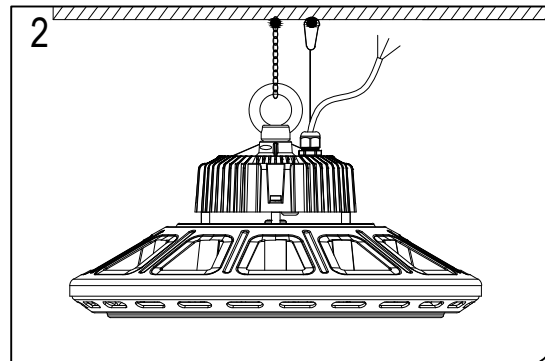


WARNING
RISK OF FIRE, ELECTRIC SHOCK OR PERSONAL INJURY
Before installation, turn power off.

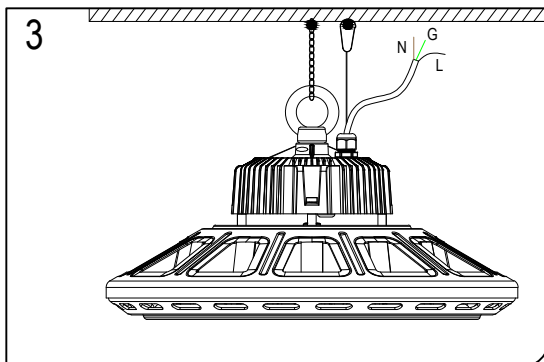
1 The specific steps of installation (Hook ring type or power box type)



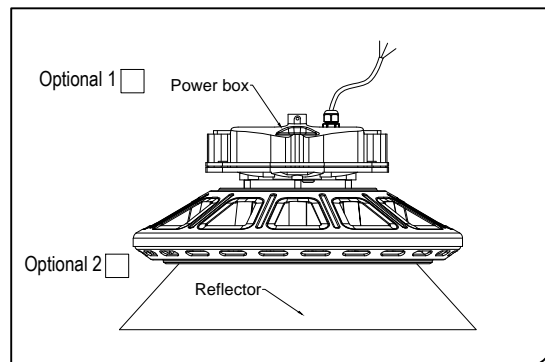
1. Take the fixture and hook ring out from cartoon box, tighten hook as arrow, fixed the hook screw and safety wire



2. Connect the chain and safety wire to the installation location, adjust the lamp high and level.



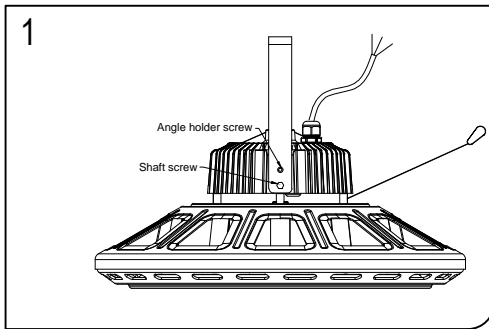
3. Connect the AC cable, black cable joins to L, white cable joins to N, green and yellow cable joins to grounding.



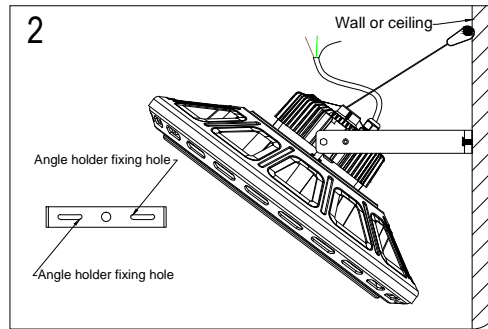
Option 1: The high voltage power version refer to hook ring type installation.

Option 2: The reflector is extra option for users.

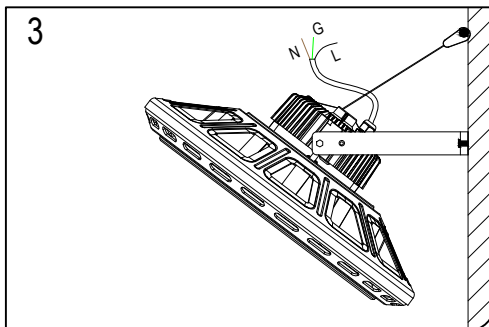
2 The specific steps of installation (Angle holder type)



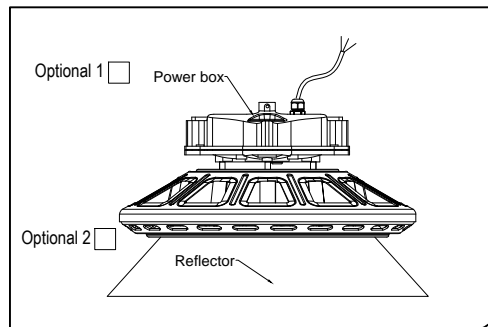
1. Tighten the shaft screw and angle holder screw, and install safety wire.



2. Install the angle holder and safety wire on the wall or ceiling, adjust the angle for users. (Form 0 to 180 degree)



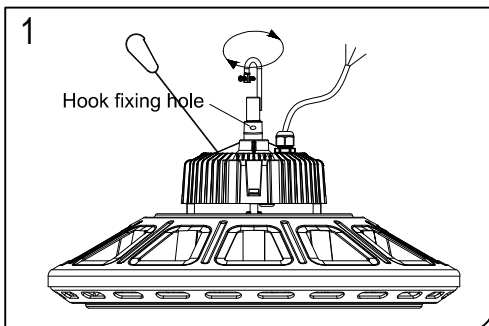
3. Connect the AC cable, black cable joins to L, white cable joins to N, green and yellow cable joins to grounding.



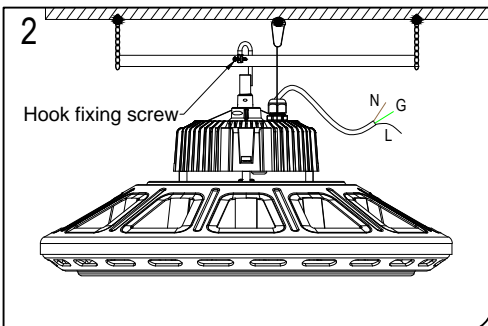
Option 1: The high voltage power version refer to hook ring type installation.

Option 2: The reflector is extra option for users.

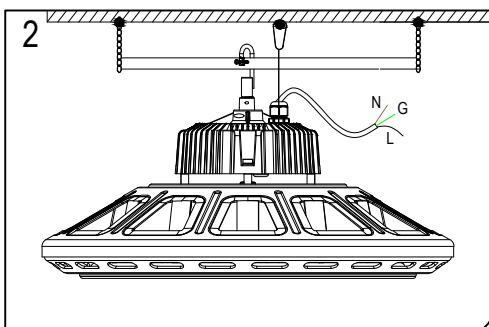
3 The specific steps of installation (Hook clamp type or power box type)



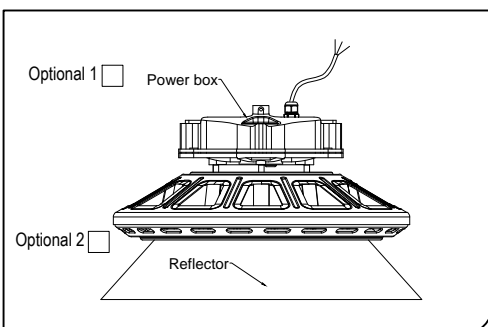
1. Tighten the hook as arrows, hook fixing screw and install safety wire.



2. Install the chains, square tube, safety wire, and tighten hook fixing screw as picture. (Recommend square tube 20mm*15mm)



3. Connect the AC cable, black cable joins to L, white cable joins to N, green and yellow cable joins to grounding.



Option 1: The high voltage power version refer to hook ring type installation.

Option 2: The reflector is extra option for users.