

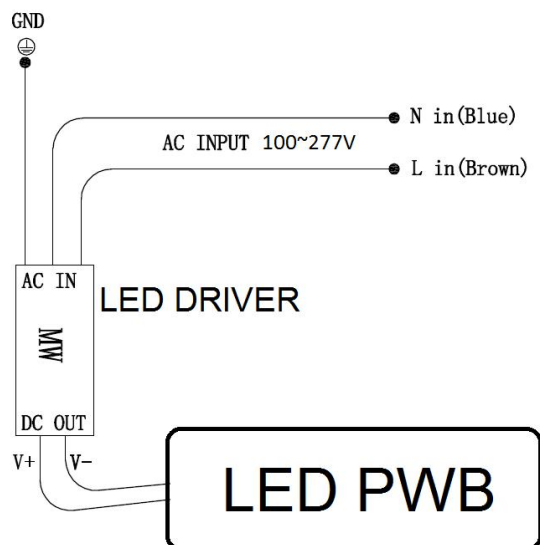
## LED RETROFIT KIT INSTALLATION

### DANGER - READ ALL INSTRUCTIONS BEFORE INSTALLATION

*OUR LED DEVICES MAY BE WIRED DIFFERENTLY THAN DEVICES FROM OTHER VENDORS. USE A LICENSED ELECTRICIAN TO PERFORM THE INSTALLATION!*

1. Wipe excess dust from inside the fixture.
2. Never take the retrofit apart. Never touch the LEDs. THIS MAY VOID THE WARRANTY.  
**TURN OFF ALL POWER TO THE FIXTURE!!**
3. Remove bulb and existing ballast or cut the wires to the ballast and bypass it. The proper AC input connections to the driver are marked on the driver. There is a Ground, ACN (Neutral) and ACL (Line). Driver Output: Connect “+” wire to “+” wire of the LED light, and “-” wire to “-” wire of the light. See figure 1 as below.

**CONFIRM THAT THE LINE VOLTAGE IS CORRECT FOR THE DRIVER!!**



(Figure 1)

4. **BE SURE THAT NOTHING WILL TOUCH OR FALL INTO THE FAN BLADES AFTER THE FIXTURE IS MOUNTED.**
5. Install the LED driver in place of the ballast. You may customize the driver mounting plate by drilling holes so that it will mount into the fixture's existing screw posts.
6. Install the retrofit to the reflector of Fixture with mounting bracket by snap fit. See figure 2 ~ figure 7.



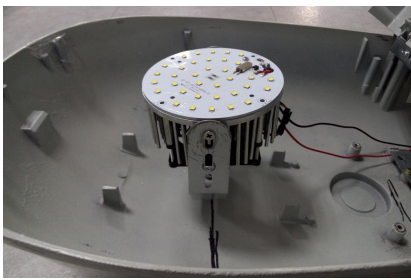
(Figure 2).



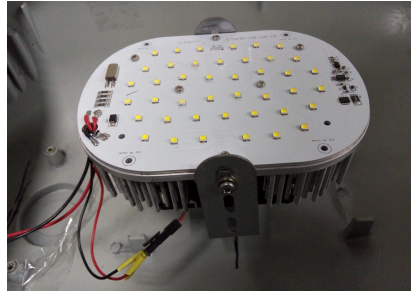
(Figure 3).



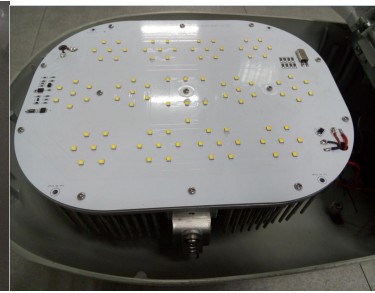
(Figure 4).



(Figure 5)

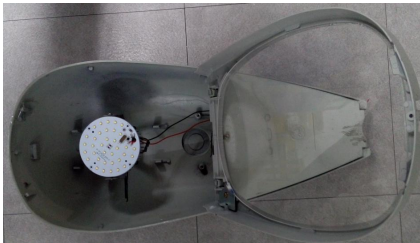


(Figure 6)



(Figure 7)

7. Adjust the retrofit head angle and position so that it provides the best lighting. See figure 8 ~ figure 10.



(Figure 8)



(Figure 9)



(Figure 10)

8. Re-assemble remaining parts of the fixture and restore power.

9. When the light is on, the metal body will get hot. Do not touch.

10. Never dim a non-dimmable LED driver.

11. Not intended for use with emergency exits or emergency lights.