

LED CANOPY

Installation Guide

WARNING

PLEASE READ ALL INSTRUCTIONS BEFORE ATTEMPTING INSTALLATION

- To prevent personal injury or product damage only licensed electricians should install.
- To avoid electric shock or component damage disconnect power before attempting installation or servicing.
- This product must be installed in accordance with the national electric code (NEC) and all applicable federal, state and local codes.
- Disconnect product and allow cooling prior to servicing.
- Any alteration or modification of this product is expressly forbidden as it may cause serious personal injury, death, property damage or electrical shock.
- To prevent product malfunction and/or electrical shock this product must be properly grounded.
- This luminaire is designed to operate in ambient temperatures ranging from -40°C to 40°C and to be horizontally mounted with the LEDs facing down.
- This product is not available for several special environments, such as places with corrosive gas liquids or high pressure water vapor



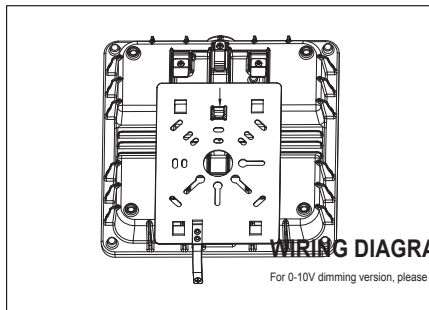
Installation

2. Connect the wires threaded from conduit and Canopy. Black wire for Line, White for Neutral, Green/Yellow Green for Ground.

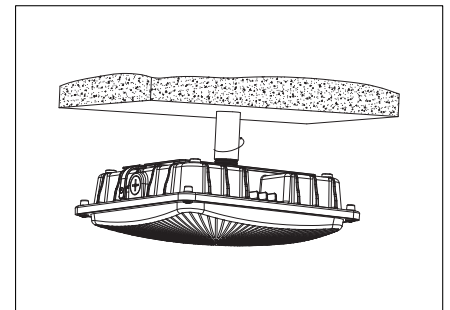
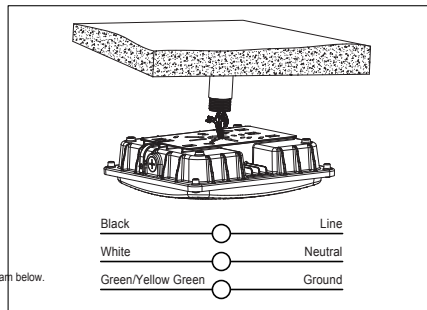
3. Screw the Conduit into the hole on top of Canopy light. Installation done.

1. Pendant with 3/4 inch Conduit

1. Loosen the screw on side of the light, removing the bracket from Canopy light by pulling it slightly out, just leaving the ring on bracket. (See the Step 1 above)

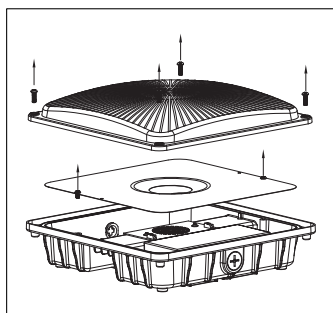


- | | |
|--------------------|---------|
| Black | Line |
| White | Neutral |
| Green/Yellow Green | Ground |
| Purple | DIM+ |

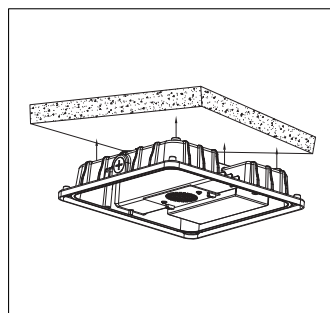


2. Surface mount

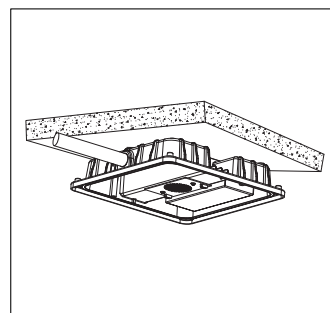
1. Remove the lens and metal plate by unscrewing the screws.



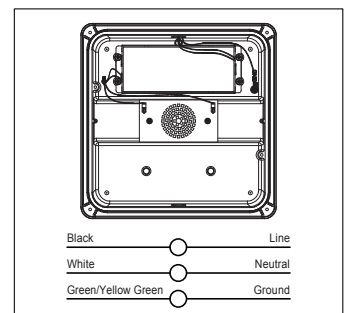
2. Cut off the wires through from 3/4" hole and plug the hole with provided Plug. Drill 4 holes on edge of fixture and fix it on the ceiling with using appropriate screws.



3. Remove 1/2" plug from direction you intend to feed conduit.



4. Disconnect the wires came from 3/4" hole and connect the wires came from 1/2" conduit with canopy . (White for Neutral, Black for Line, Green/Yellow Green for Ground)



5. Replace the metal plate and the lens, make sure no wires are pinched when replacing parts.

