

T8 Emergency LED Tube

Product Description

LED SION Emergency LED tube Light led luminaire has a beautiful low profile design intended for indoor industrial/warehouse/commercial lighting applications LED driver and thermal management.

High-performance illumination that lasts 30,000HRS.

Advantage

- 120 minutes emergency at 8W
- 2-in-1 tube regular T8 lighting and emergency lighting
- Built-in Polymer Lithium-Ion Battery and LED driver
- Stable high-precision and constant-current driver.
- Controllable by wall switch
- Type B style installation(Ballast bypass)



Applications

Replacement lamps indoor offices, shopping mall, any other commercial areas

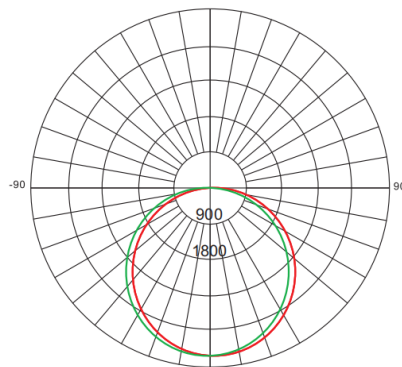


T8 Emergency LED Tube

Specifications

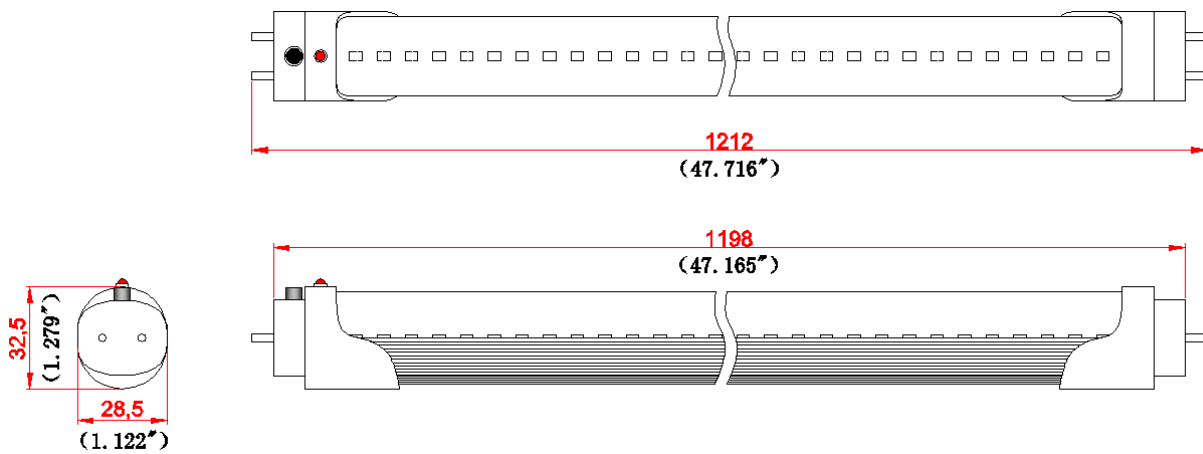
Model No.	EMT8-18WBC-50K
Input Power	18W
Luminous flux	2000lm±5%
Emergency luminous flux	1100lm±5%
Lumen Efficacy	115lm/W±5%
Color Temperature	3000K/4000K/5000K/6000K
CRI	>80
Viewing Angle	120°
Input Voltage	100-277VAC
Work Current	0.182A@90VAC; 0.090A@277VAC
Work Frequency	47-63Hz
Power Factor	>0.99@90VAC; 0.91@277VAC
Charging Time	≥10hrs
Emergency Time	120mins
Emergency Power	5W-8W
Battery Type	Polymer Lithium-Ion Battery (11.1V, 2AH)
PF	≥0.9
THD	≤20%
LED Type	SMD2835LED
LED QTY	144PCS
Housing	PC + Aluminum
Housing Color	Any color
Waterproof Rating	IP65
Operating Temperature	-25℃ TO 50℃
Operating Humidity	20%-90% RH
Storage Temperature	-40℃ TO 80℃
Storage Humidity	10%-95% RH

Photometrics



T8 Emergency LED Tube

Dimensions



Default mode: Type B emergency mode

- When electricity supply is on and the switch is on: the lamp is ON;
- When electricity supply is on and the switch is off: the lamp is ON;
- When electricity supply is off and the switch is on: the lamp is ON;
- When electricity supply is off and the switch is off: the lamp is ON;

Type C emergency mode

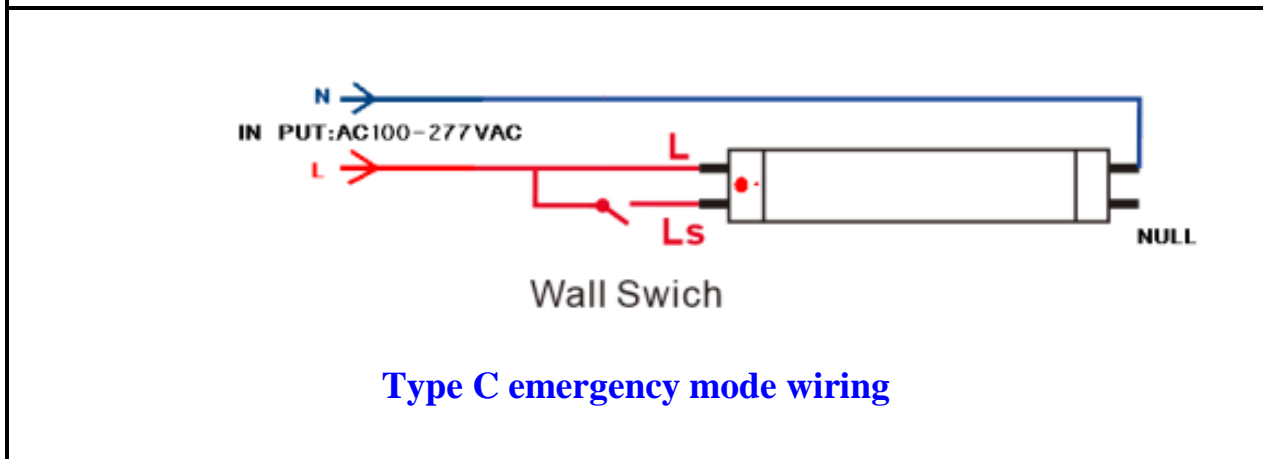
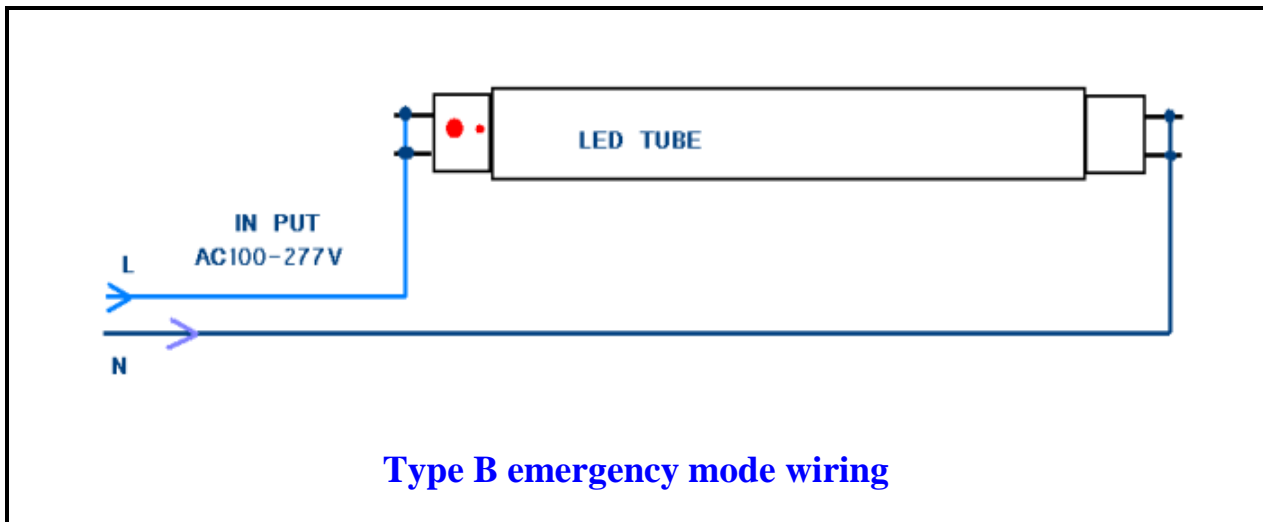
- When electricity supply is on and the switch is on: the lamp is ON;
- When electricity supply is on and the switch is off: the lamp is OFF;
- When electricity supply is off and the switch is on: the lamp is ON;
- When electricity supply is off and the switch is off: the lamp is ON;

Installation instruction

This lamp is for indoor use, if it will be used outdoor, please add waterproof protective device.

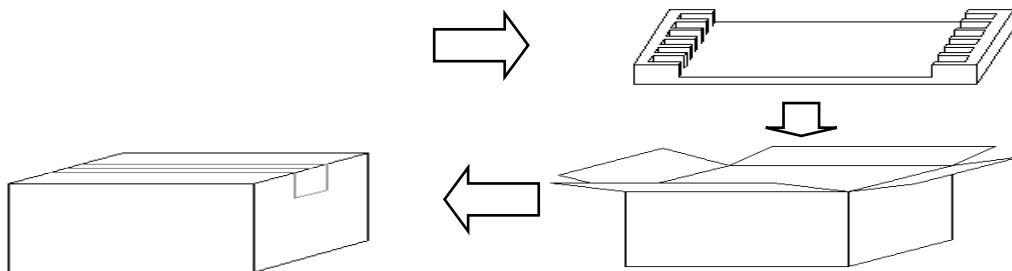
- Ensure that the input voltage is within the specified range before installation.
- Please turn off the power before Installation.
- Ensure that holders is connected with AC directly and safely.
- Turn on power to test after installation.
- Please wiring as below picture.

T8 Emergency LED Tube



Package Info.

Model	Carton Dimension	Qty/Carton	N.W/PCS	N.W/Carton	G.W/PCS	G.W/Carton
18W	135*25*24cm	30pcs	0.45kg	13.5kg	0.65kg	16.5kg





T8 Emergency LED Tube

Notice For User

- Please turn off the power before Installation.
- Turn on power to test after installation.
- Don' t open the lamp and change electrical structure, to prevent damage to the lamp.
Seller won' t be responsible if lamp was broken in this way.
- Please refer to the installation instructions if lamp is not bright,and charging for the lamp.
- If wiring connection is correct,contact the dealer or service center with no appearance damage.