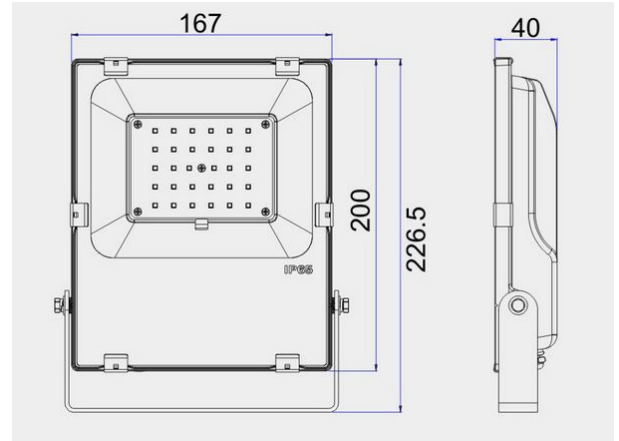


Picture of real products



Dimension (mm)



●Features

Item	Parameter range
Power	20W
LED Quantity	Epistar 3030 SMD LED
Color	Warm white/ Neutral white / Cool white
CCT	3000-3500K/4000-4500K/6000-6500K
CRI	≥75
Life-span	≥50,000 Hours
Flux	3,000lm ± 5%
Beam Angle	120°
Material	Aluminum + Toughened glass
Gross Weight	MAX 1.2KG/PC
Inner box Dimension	26*19.5*4.8CM
Outer carton Dimension	53.5*40.6*26CM
Package Spec.	20PCS/CTN,25KG/CTN

●Technical request

item	units	Parameter range
working environment	°C	-37°C - 55°C
Working Humidity		≤95%
storage condition	°C	-40°C~80°C

limited voltage	V	100-277VAC 50/60Hz
Input current	A	0.10-0.30
Protection Level	IP65(Outdoor using)	

●Features

Integrated applications of LED light source, the unique circuit control design, reached a high efficiency and energy saving of more than 80%.

Ultra-high brightness, high color-rendering index, is the latest type of outdoor lighting products, long life (≥ 50,000 hours).

●Applications

It is mainly used for outdoor flood lighting, building decoration lighting, industrial lighting, advertising lighting, etc., a street lamp light distribution system, and can be used for road lighting.

●Attentions

1. Please use the correct power supply.
 2. Please read the product installation manual carefully before using the products.
-