

## LED Adjustable Cut Off Wall Pack



**Application:** security, pathway and perimeter lighting, building entryways, walkways and much more

### Feature:

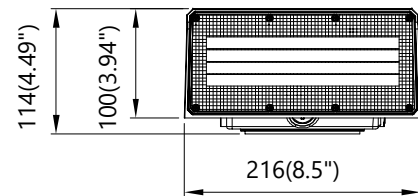
- heavy duty spring loaded 0° to +90° tilt hinge
- Wattage selections -45W-60W-75W
- Color Selections: 3000-4000-5000K
- Great for full cut off lighting and wall washing applications

### Certifications

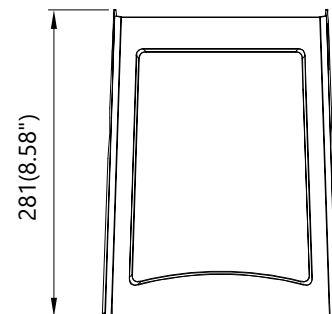


### PRODUCT DIMENSION

#### Side View



#### Front View



### SPECIFICATIONS:

SKU	HYA-WPFC-45W/60W/75W-H-CCT
Model No.	TS-WPD0608-45W/60W/75W-H-TCP
Wattage	45W/60W/75W
Rated Current	0.41A/0.55A/0.69A
Lumens	5400/7200/8538 lm
CCT	3000-4000-5000K
Power Factor	0.944
Beam Angle	65°x95°
Lighting Efficiency	120.08 lm/W
Color Rendering Index	Ra>80
Working Temperature	-40 °F ~+113°F / -40°C ~ +45 °C
Storage Temperature	-40 °F ~+158 °F / -40 °C ~ +70 °C
Environment Location	IP 65 - Wet Location
Lifespan	> 50000H
DLC Category	Outdoor Full-Cutoff Wall-Mounted Area Luminaires
DLC ID	PQ95ZR6K
Individual Pack Info	13.19"x10.43"x6.70" / 6.8LB
Master Pack Info	21.85"x13.98"x14.76" / 27.35LB
PCS/Master Pack	4

## ORDERING CODE DEFINITION

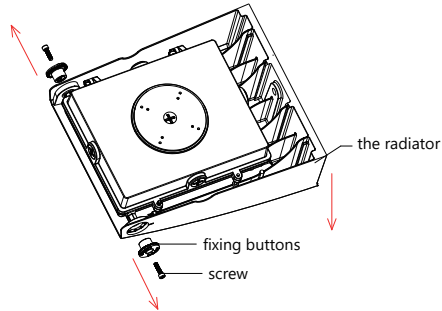
### EXAMPLE: HYA-WPFC-45W/60W/75W-H-CCT

Company Code	Product	Power	CCT	Photocell Function
HYA	WPFC: LED Adjustable Full Cut Off Wall Pack Light	Watt Selectable: 45W/60W/75W	CCT Selectable 3000-4000-5000K	PC: With Photocell (Optional/No Pre-installed)

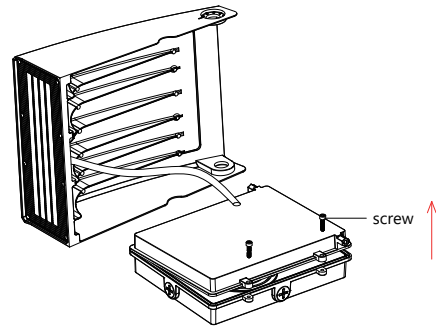
# INSTALLATION INSTRUCTION

## Watt & CCT Selectable

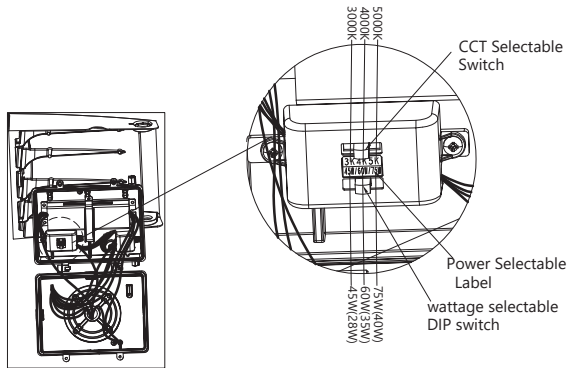
1. Unscrew the screws and fixing buttons with a screwdriver, remove the radiator.



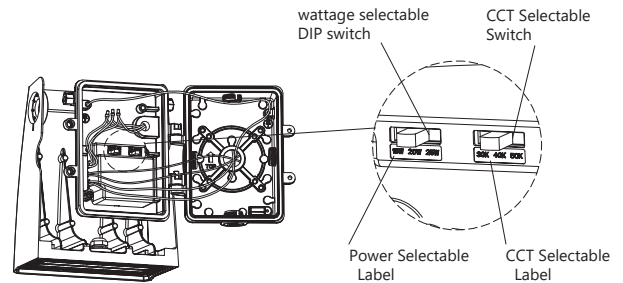
2. Unscrew to remove the fixture shell.



3.1. After the wiring completed, set the CCT and power value through the internal DIP switch. According to the label, users can dial the desired color temperature value and power value.

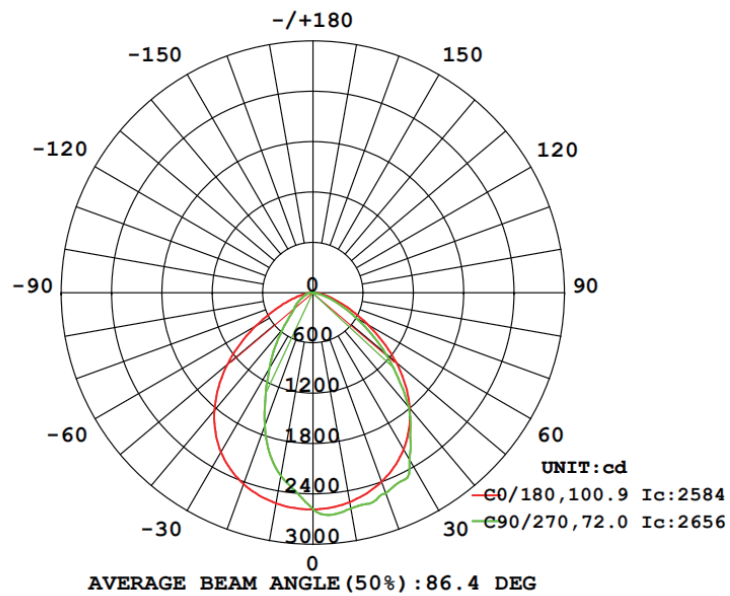


3.2. After the wiring completed, set the CCT and power value through the internal DIP switch. According to the label.



# PHOTOMETRIC REPORT

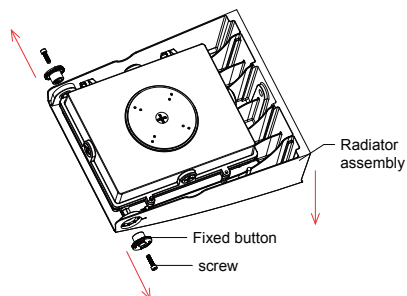
## LUMINOUS INTENSITY DISTRIBUTION DIAGRAM



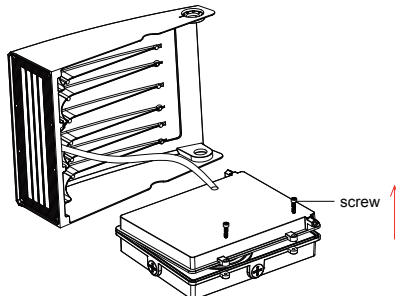
# INSTALLATION INSTRUCTION

## INSTALLATION

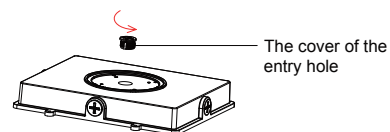
1. Use a screwdriver to remove the screw and the fixing knob and remove the heat sink assembly.



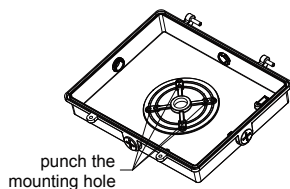
2. Use a screwdriver to remove the screw and remove the outer casing.



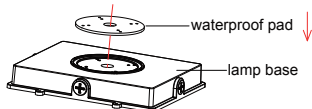
3. Unscrew the cover of the entry hole on the lamp base and remove the cover.



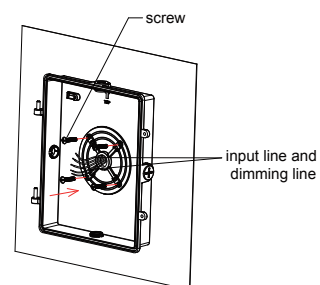
4. According to the embedded terminal box, punch the corresponding mounting hole on the light's mount.



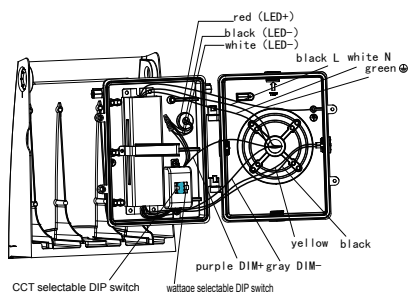
5. Tear off the adhesive paper of the waterproof pad and stick the waterproof pad to the lamp base.



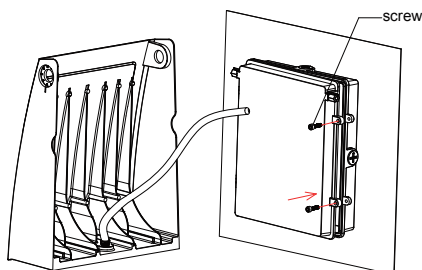
6. Put the input line and dimming line (if not, please ignore) from the embedded junction box through the lamp base and then screw the lamp base to the embedded junction box.



7. Install the upper half of the fixture on the lamp base, then use the threaded terminal to connect L/N/ ground wire, dim+/dim-(if not, please ignore) separately, and then plug the threaded terminals into the embedded junction box, adjust the switch to the color temperature and wattage needed.



8. Screw the case with a screwdriver.



9. Install the heat sink assembly and tighten the screws and fixing knob with a screwdriver to complete the installation.

