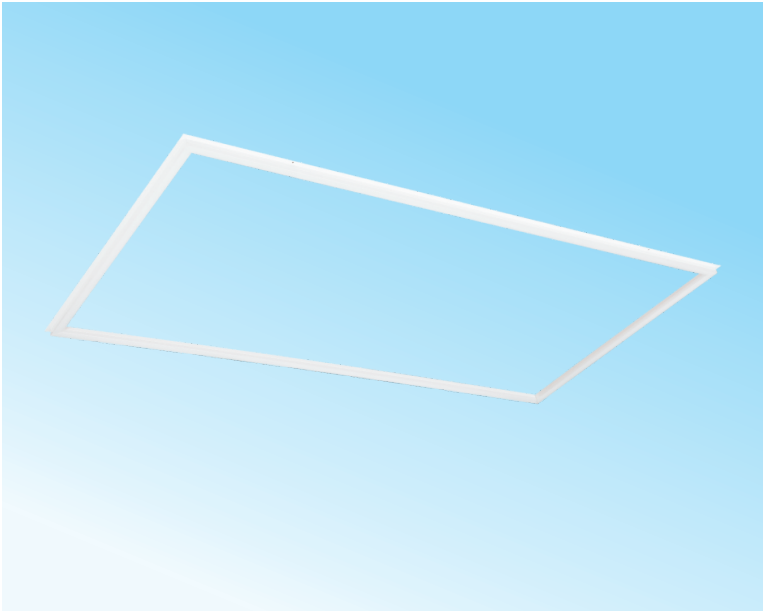


LED FRAME LIGHT - PE Series



Application: Ideal for office, school, conference room, hospital, and more commercial spaces

Product Description

LED Frame light cast the right light in any commercial setting. The slim profile fixtures are available in 1' x 4', 2' x 2' or 2' x 4' sizes and can save up to 50% of energy usage compared to traditional fluorescent fixtures. Standard 0-10V dimming capability allows greater energy-savings.

Certifications

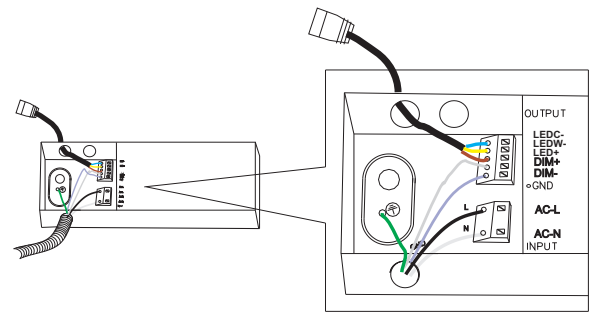


SPECIFICATIONS

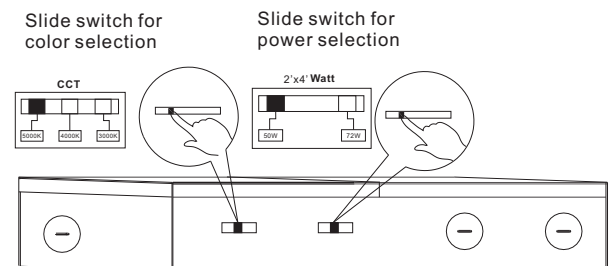
Model No.	HY-PE-1X4P-3W3CCT	HY-PE-2x2P-3W3CCT	HY-PE-2X4P-3W3CCT
Wattage	20W/30W/40W	20W/30W/40W	30W/40W/50W
Size	1x4	2x2	2x4
Lumens	5200 LM	5200 LM	6500 LM
Rated Input Voltage(V)	120-277 VAC		
Light Source	SMD		
CCT	CCT Selectable: 3000K/4000K/5000K		
Body	White		
Beam Angle (°)	120°		
Dimming	0-10V Dimmable		
Lumen Efficiency	130 Lm/W		
Color Rendering Index	Ra>80		
Power Factor	0.95		
Working Temperature	-4 ° F ~ +105 ° F / -15 ° C ~ +40 ° C		
Storage Temperature	-4 ° F ~ +105 ° F / -15 ° C ~ +40 ° C		
Environment Location	IP 40 – Indoor Only		
Lifespan	Lumen Maintenance over 70% @ 50,000+ Hours		
Warranty	5 Years Limited		
Certificate	S-1LFS4O	S-IA5BPK	S-ABMCZH
Package Info	49.8"X2.36"X14.2"	25.8"X2.36"X26"	49.82"X2.36"X26"
PC/ Master Pack	2	2	2
Weight	6.5 lbs	5.7 lbs	8.4 lbs

Feature

• External Driver Box



• Watt and CCT Selectable



For the product with Slide Switch of CCT or power selection, please select the CCT or power needed before installation. (Ignore these steps if without the function)

ORDERING CODE DEFINITION

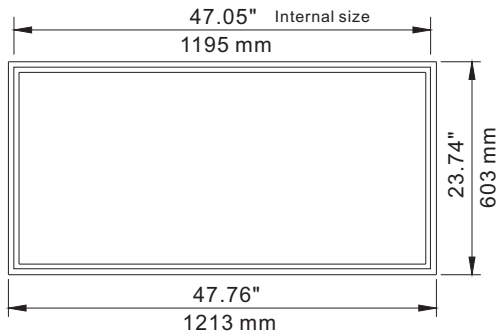
EXAMPLE: HY-PE-2X4P-3W3CCT

Company Code	Product	Size	Power:	CCT
HY	PE: LED Frame Light	1x4P	3W:	3CCT Selectable: 3000K/4000K/5000K
		2x2P	20W/30W/40W Selectable	
		2x4P	3W: 30W/40W/50W Selectable	

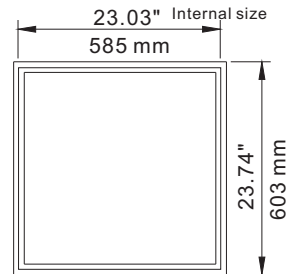
LED FRAME LIGHT - PE Series

DIMENSION

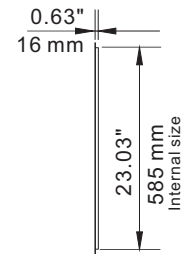
2x4 Front View



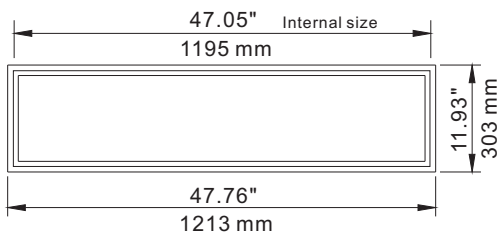
2x2 Front View



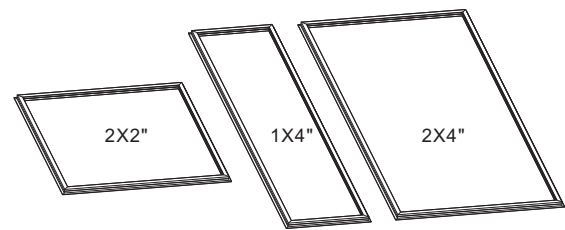
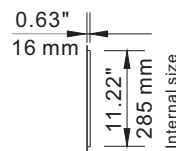
Side View



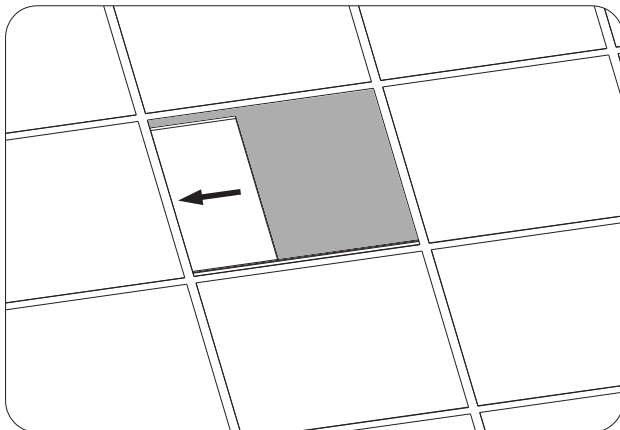
1x4 Front View



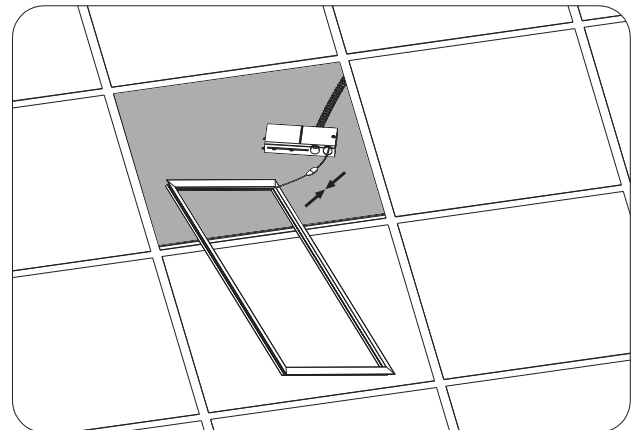
Side View



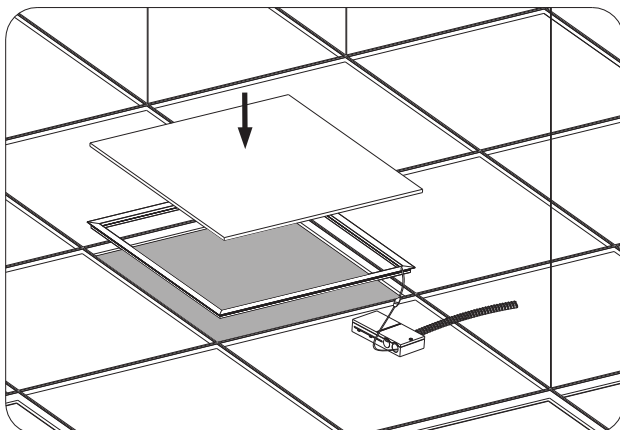
INSTALLATION GUIDE



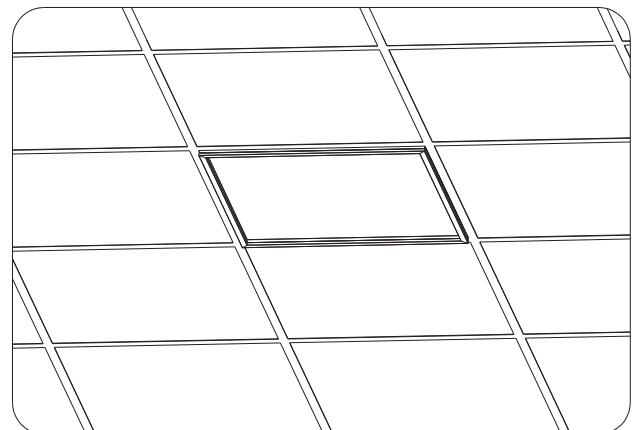
① Remove the ceiling plaster slab.



② Feed the main AC wire in driver terminal block respectively, connect the LED Frame light and driver. (see operation guide)



③ Fix the LED Frame light into lightgauge steel joist, cover the ceiling plaster slab.



④ Make sure the LED Frame light is firmly fixed, turn on the power.