

## LED Motion Sensing Ceiling Light



**Application:** Residential garage, basement, closet, office, and etc.

### Certifications



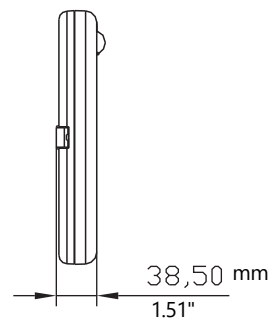
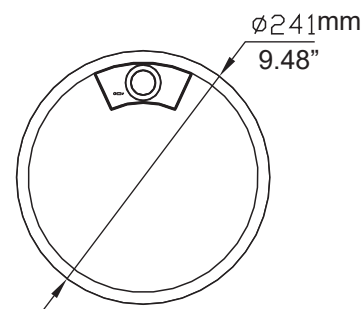
### DISCRIPTION

This Motion Sensing Ceiling Light has infrared sensing function, and has two modes of day and night selection switch. Selecting Day mode: the light will be on when the person enter the infrared sensor zone; Selecting night mode: when the surrounding is dark and person enter the infrared sensor zone, the light will be on.

### DIMENSION

Front View

Side View



### SPECIFICATIONS

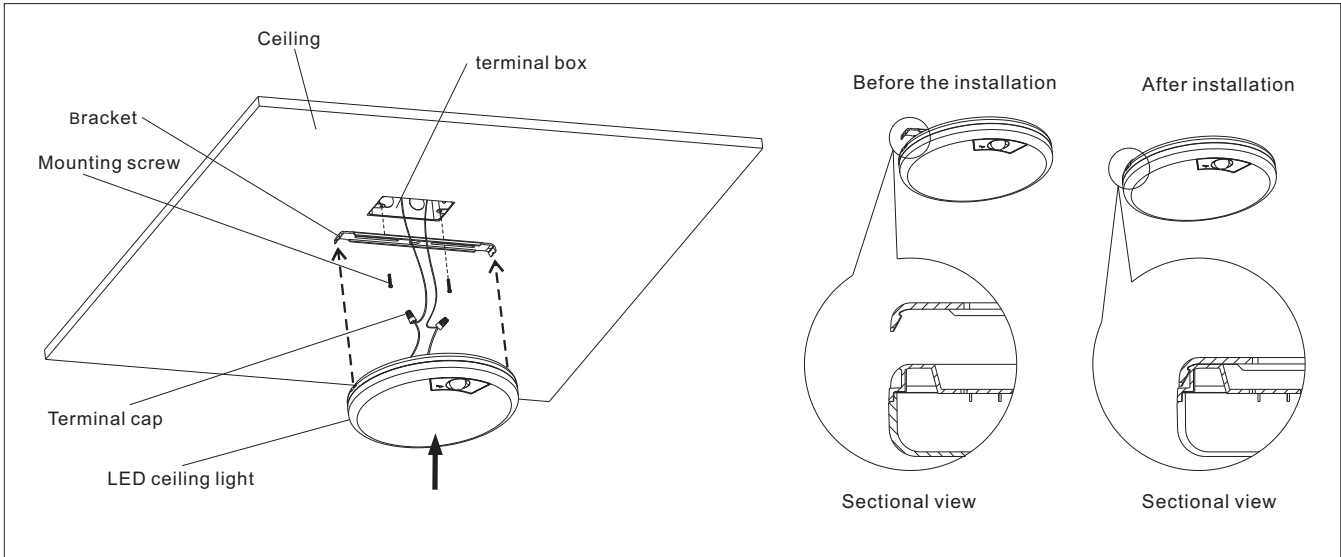
SKU	HY -FM12-20W-MS-XXK
Size	10"
Power	20W
Input Voltage	AC 110V
Luminous Flux	1100 LM
Beam Angle	120°
Efficacy	55 LM/W
Power Factor	>0.8
CCT	5000K
CRI	>80
Working Life	Lumen Maintenance over 70% @ 50,000+ Hours
Dimmable	Triac Dimming
Induction Time	45seconds (It goes out 45 seconds after the person leaves)
Working Temperature	-4°F up to 105°F (-15°C to 40°C)
Protection Level	Indoor- IP20
Induction	Infrared induction
Certificate	ETL
Qty/Pack	20
Package Size	20.86 in x 19.88 in x 10.62 in
Package Weight	24.2 lb

### ORDERING CODE DEFINITION

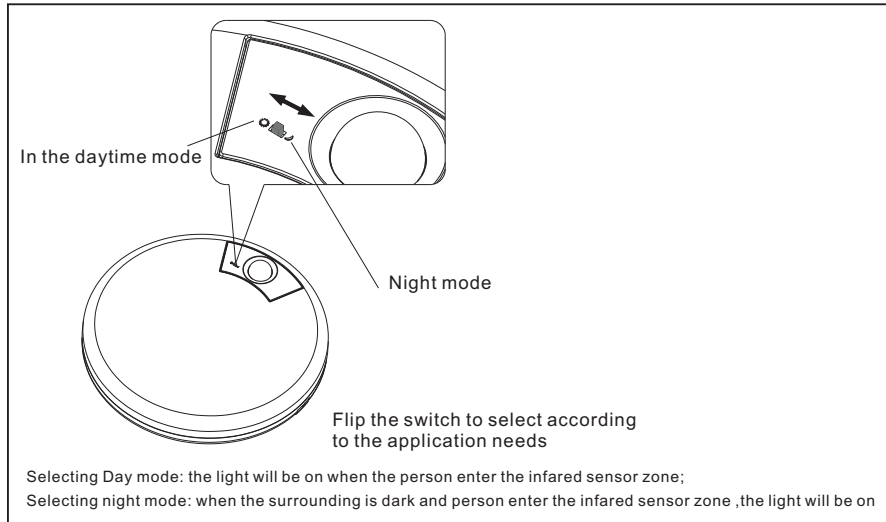
**EXAMPLE: HY -FM12-20W-MS-XXK**

Company Code	Product	Watt	Function	CCT
HY	FM:12: Motion Sensing Flush Mount Ceiling Light	20W	MS: Motion Sensor	5000K

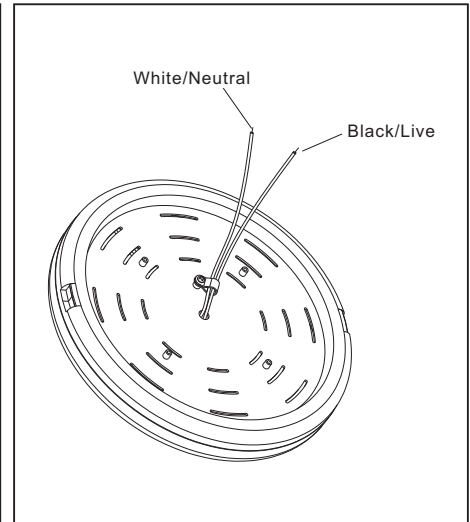
# INSTALLATION GUIDE



## 1. Scenario mode selection switch



## 2 Wiring Guide



# PHOTOMETRIC

