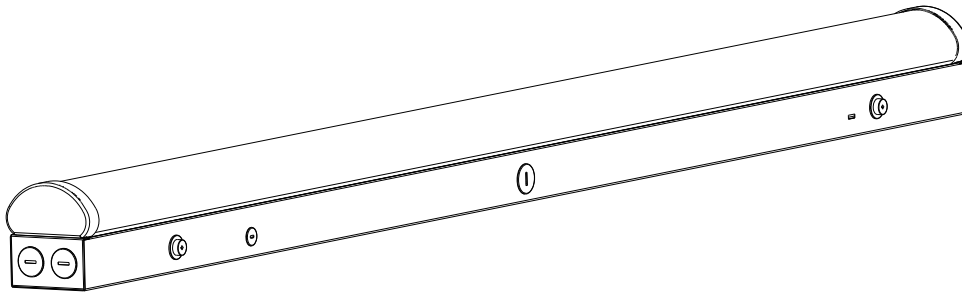




LED Linear Lowbay Strip Light

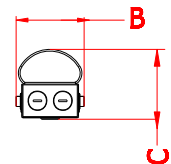
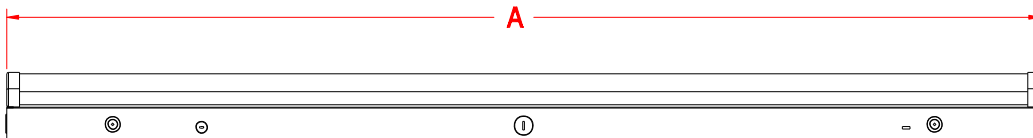
Product Appearance



Product Features

- 1. UL,FCC, DLC listed.
- 2. Power optional: **4FT 30W/35W/40W,8FT 60W/70W/80W.**
- 3. Lumen efficiency: **155lm/w.**
- 4. 0-10V dimmable driver.
- 5. Input voltage: 100-277VAC .
- 6. Surface mounting installation.
- 7. Five years' warranty.

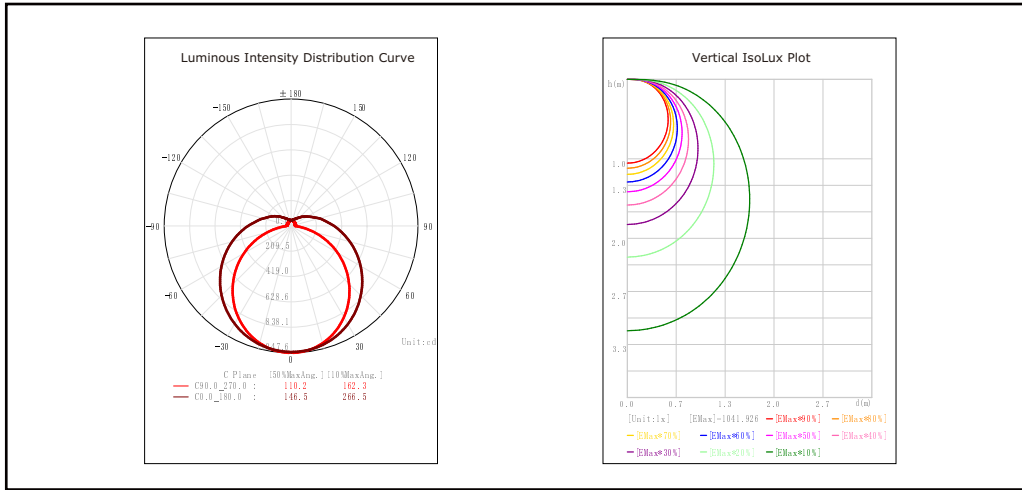
Product Dimension



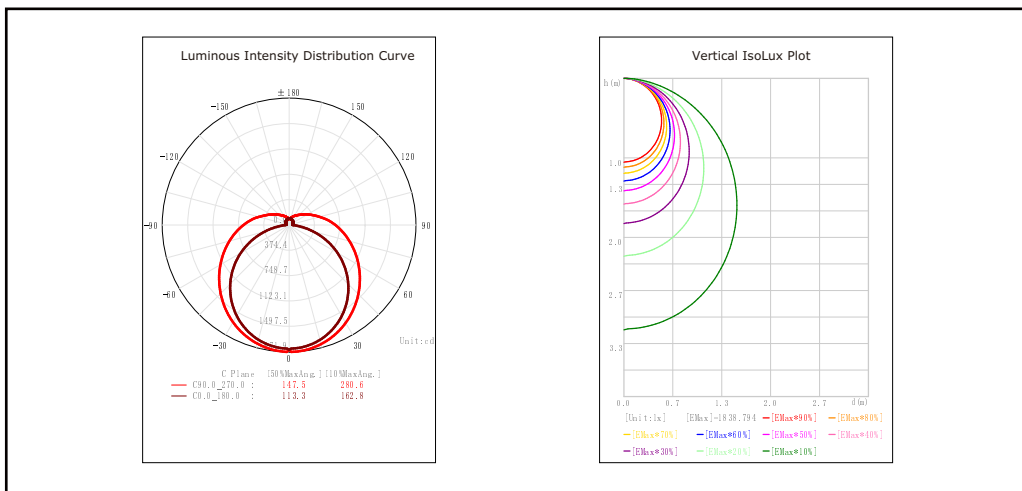
Mode	size	A (inch)(mm)	B (inch)(mm)	C (inch)(mm)
GL-ST01-40W-H	4FT	48.03" 1220mm	3.28" 82mm	3.28" 82mm
GL-ST03-80W-H	8FT	95.98" 2438mm	3.28" 82mm	3.28" 82mm

Testing Report

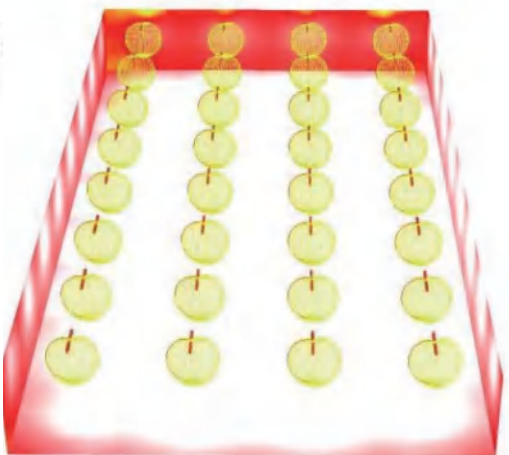
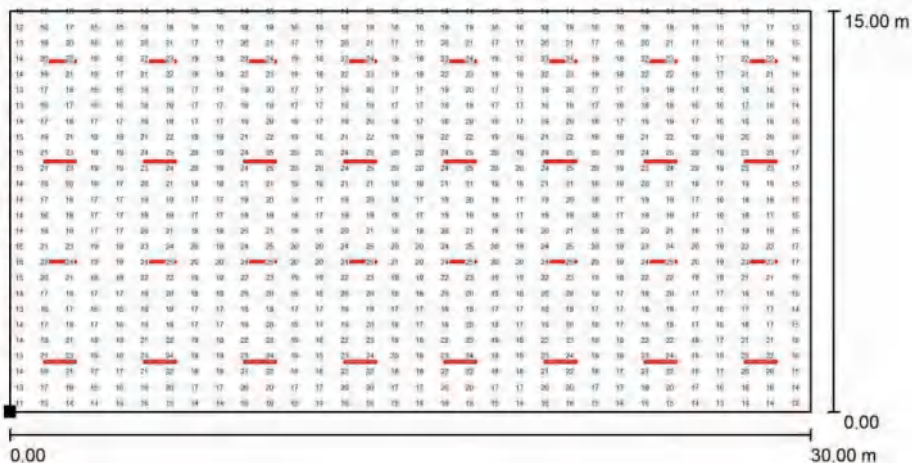
4FT LUMINOUS INTENSITY DISTRIBUTION DIAGRAM



8FT LUMINOUS INTENSITY DISTRIBUTION DIAGRAM

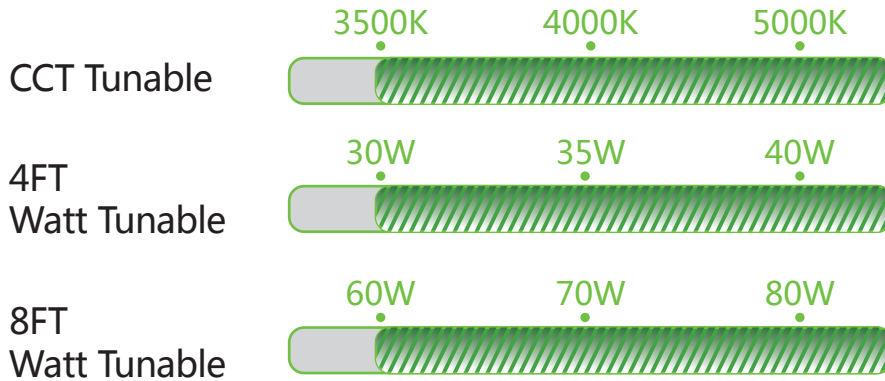


Simulation chart



Specification

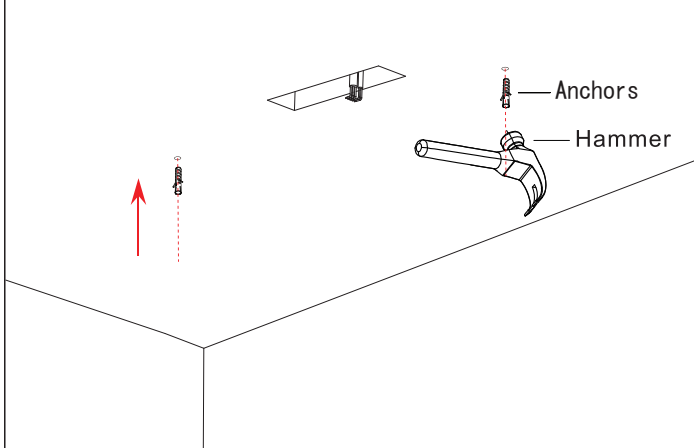
Mode	Size	Power	Input Voltage	Dimmable	PF	Light Efficacy	Ra	CCT
GL-ST01-40W-H	4FT	30/35/40W	AC100-277V	0-10V	>0.9	155lm/w	80	3500/4000/5000K
GL-ST03-80W-H	8FT	60/70/80W	AC100-277V	0-10V	>0.9	155lm/w	80	3500/4000/5000K



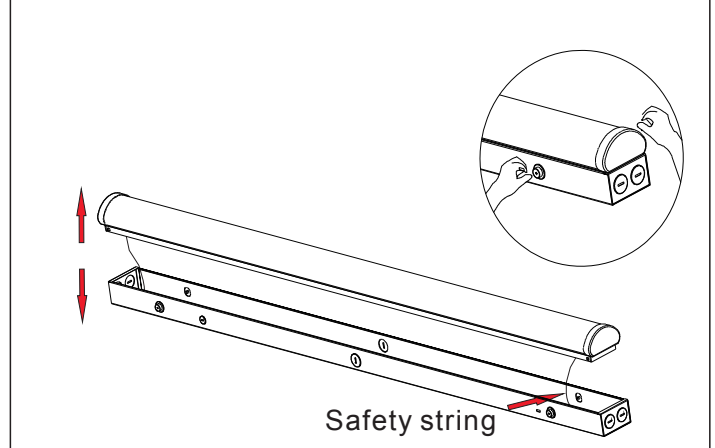
Installation

Surface Mounted Installation

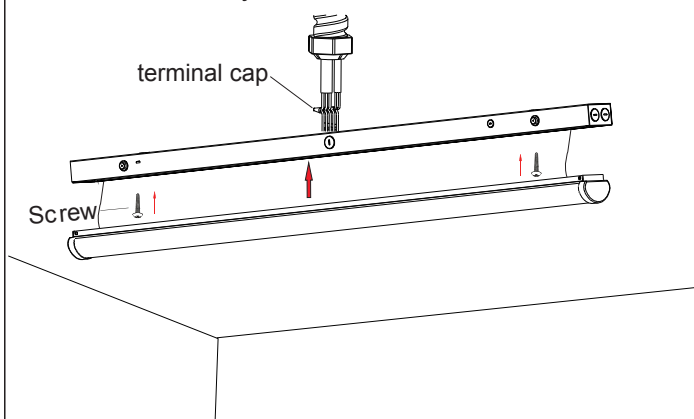
1. Insert the Anchors into the hole as picture.



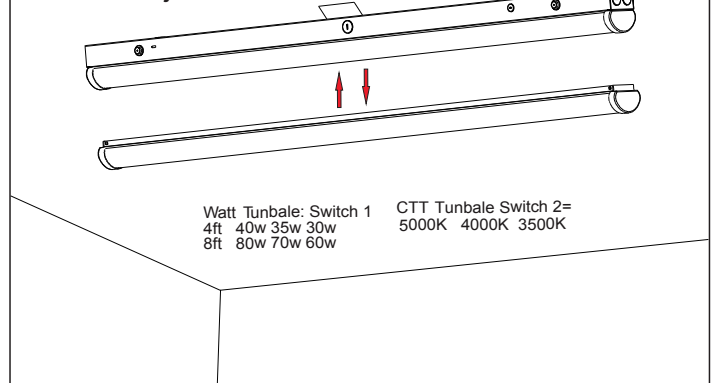
2. Press the button then open the PC housing.



3. Adjust the hole of bottom cover align at anchors, then fasten it by screw.



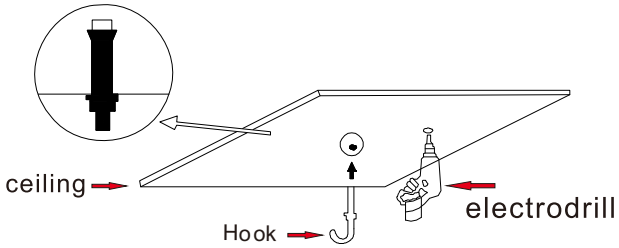
4. Press the button, then let the PC housing return to original place. Open the PC cover then adjust the DIP switch



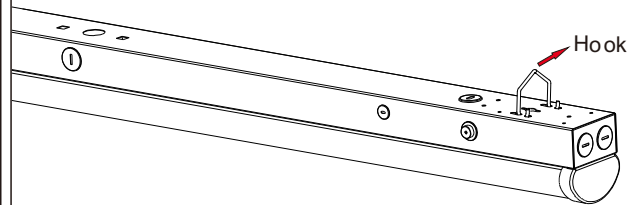
Installation

A. Loop hanging installation

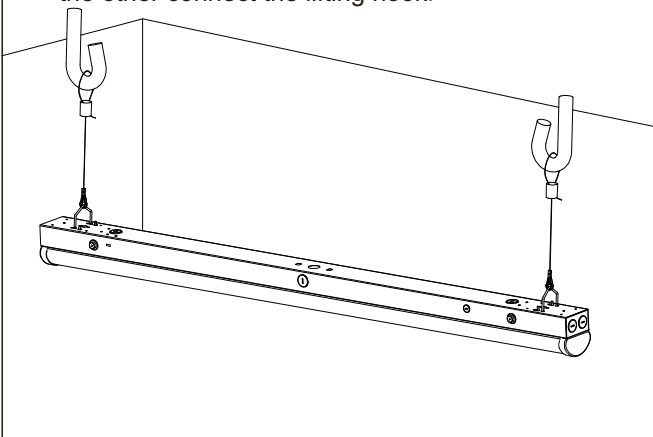
1. Drill two holes in the ceiling with electrodrill, put the hook into the hole.



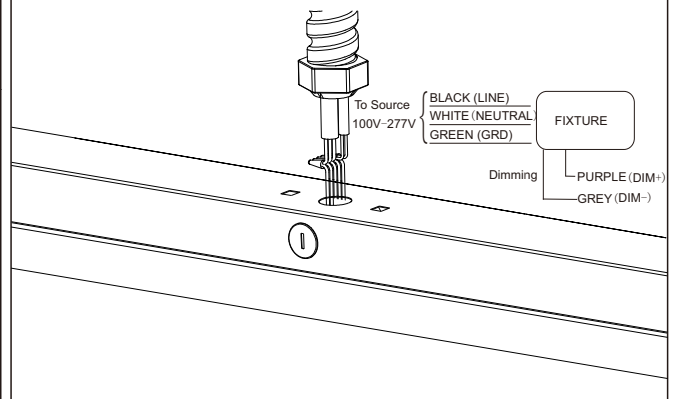
2. Put the hook into the holes as picture.



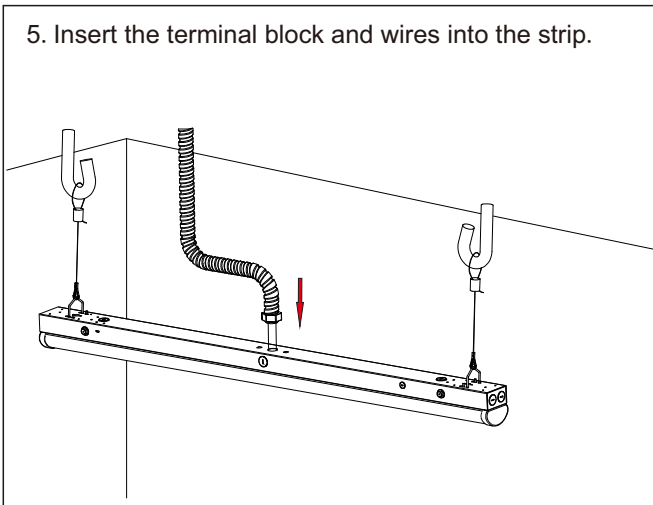
3. One side of safety rope to connect the hook, the other connect the lifting hook.



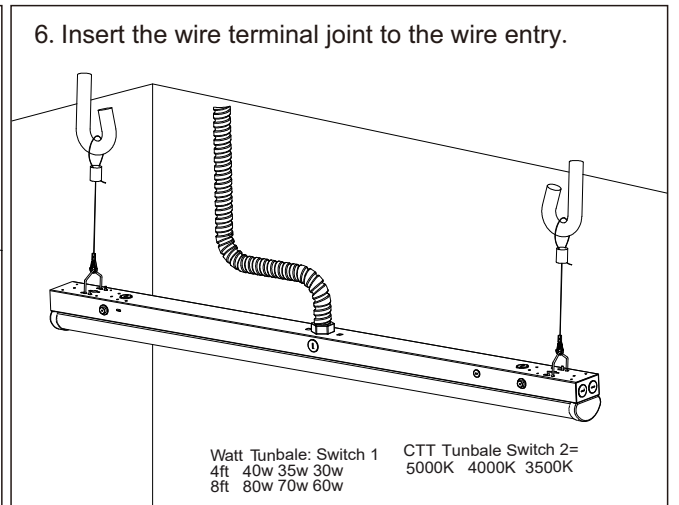
4. Turn off power, and make wiring connections with terminalcap.(see wiring instruction below).



5. Insert the terminal block and wires into the strip.



6. Insert the wire terminal joint to the wire entry.

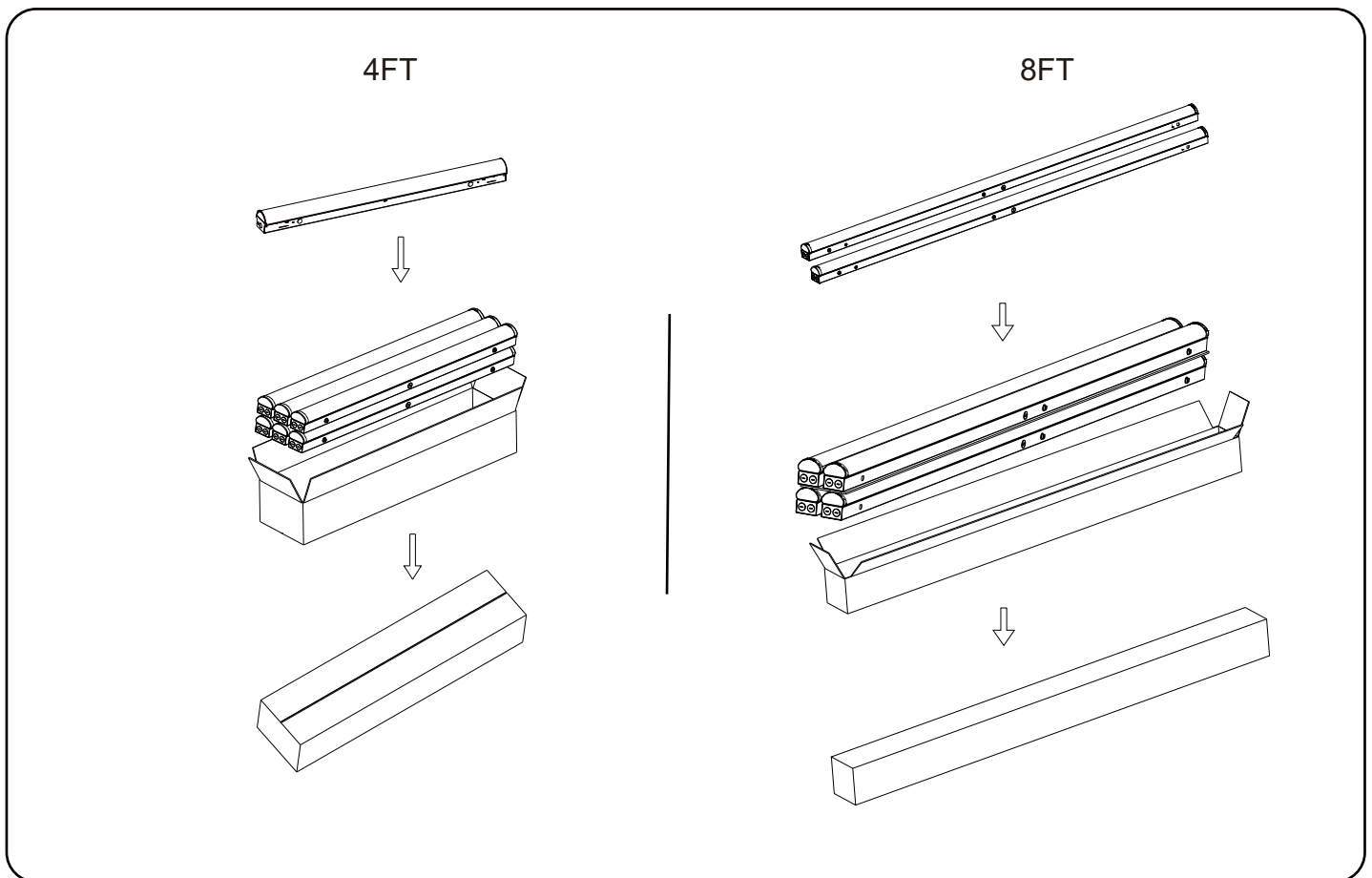


The Installation must be carried out by a qualified electrician.

Packing/weight

Part NO.	Outer Carton Size (LxWxH)	Qty/Carton (pcs)	Net weight (kg)(lbs)	Gross weight (kg)(lbs)	20GP (QTY)	40HQ (QTY)
GL-ST01-40W-H	(1230*234*183mm) (48.42"*9.21"*7.2")	6PCS	1.8kg 3.96lbs	13.2kg 29lbs	3000	7596
GL-ST03-80W-H	(2450*160*183mm) (96.46"*6.30"*7.20")	4PCS	3.7kg 8.2lbs	17.0kg 37.4lbs	1368	3488

Packing



LED Linear Lowbay Strip Light



Note

- 1.The installation and maintenance must be completed by electricians or professionals.
- 2.Please cut off the power before installation and maintenance.
- 3.The fixture is not allowed to be covered by thermally insulating material.
4. Please keep away from the corrosive substance,and keep the fixture dry and clean.
5. Working temperature:-4°F~104°F, storage temperature:-22°F~140°F.