

LED Emergency Light

TYPE: EM110,EM114,EM119

LED Emergency Light accord with US STANDARD - Injection-molded, flame-retardant and high impact thermoplastic housing. 120V/277V AC universal voltage operation. This exit sign with design is great for placing on doorways, isles, restaurant, office building and warehouses.



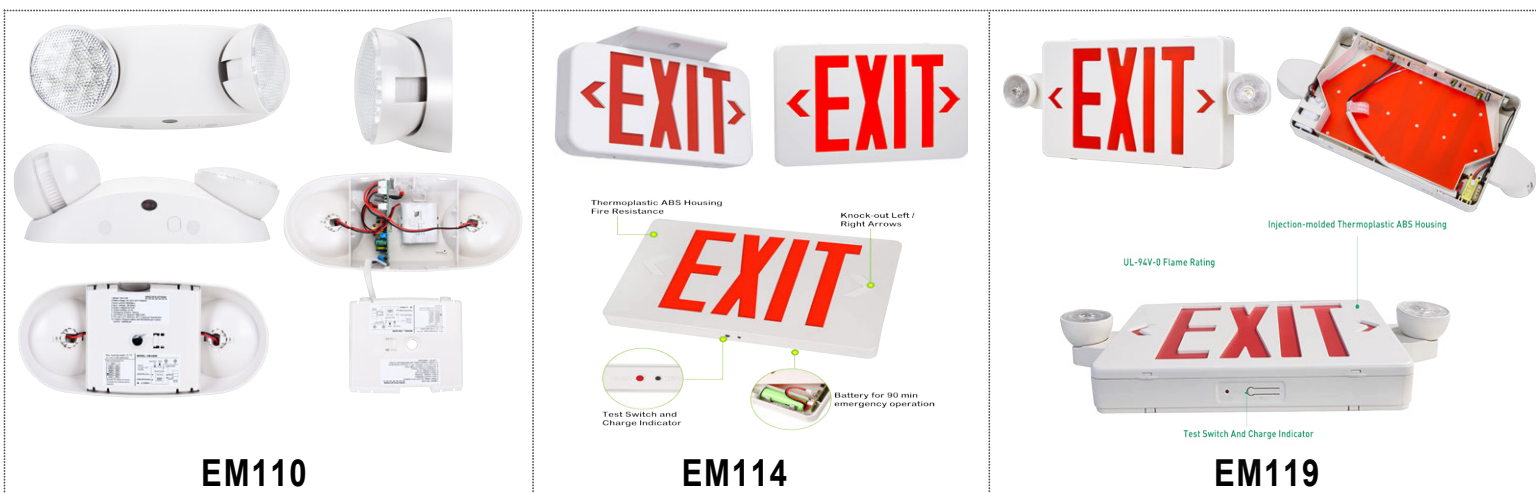
EM110

EM114

EM119



PRODUCT DISPLAY:



EM110

EM114

EM119

	SPECIFICATION		
	EM110	EM114	EM119
WATTAGE			
WORKING VOLTAGE	120-277V 50Hz/60Hz	120V / 277V 50Hz/60Hz	120V / 277V 50Hz/60Hz
EFFICACY	0.97P		0.86P
INPUT WATTAGE	4.5W		5W
INPUT CURRENT	0.03A		0.04A
RECHARGE TIME		24 Hours	
OUTPUT WATTAGE	2W	1W	2W
EMERGENCY DURATION		≥90 Mins	
BATTERY	3.6V 600 mA h	1.2V 800 mA h	3.6V 1000 mA h
ENVIRONMENT		DAMP	
WORKING TEMPERATURE		5°C ~ 30°C	
CERTIFICATION		ETL	
CABLE		Input Connect, No cable	
WARRANTY		5 year limited	

LED Emergency Light

TYPE: EM110,EM114,EM119

DIMENSION:

		<table border="1"> <tr> <td>WATTAGE</td> <td>EM110</td> </tr> <tr> <td>NT. WEIGHT</td> <td>0.95 lbs(N.W)</td> </tr> <tr> <td>BOX DIM.</td> <td>23.6" x 12.2" x 11.8"(14Pcs/CTN)</td> </tr> </table>	WATTAGE	EM110	NT. WEIGHT	0.95 lbs(N.W)	BOX DIM.	23.6" x 12.2" x 11.8"(14Pcs/CTN)
WATTAGE	EM110							
NT. WEIGHT	0.95 lbs(N.W)							
BOX DIM.	23.6" x 12.2" x 11.8"(14Pcs/CTN)							
		<table border="1"> <tr> <td>WATTAGE</td> <td>EM114</td> </tr> <tr> <td>NT. WEIGHT</td> <td>1.72 lbs(N.W)</td> </tr> <tr> <td>BOX DIM.</td> <td>17.7" x 13.4" x 17.3"(14Pcs/CTN)</td> </tr> </table>	WATTAGE	EM114	NT. WEIGHT	1.72 lbs(N.W)	BOX DIM.	17.7" x 13.4" x 17.3"(14Pcs/CTN)
WATTAGE	EM114							
NT. WEIGHT	1.72 lbs(N.W)							
BOX DIM.	17.7" x 13.4" x 17.3"(14Pcs/CTN)							
		<table border="1"> <tr> <td>WATTAGE</td> <td>EM119</td> </tr> <tr> <td>NT. WEIGHT</td> <td>2.07 lbs(N.W)</td> </tr> <tr> <td>BOX DIM.</td> <td>17.7" x 16.1" x 17.3"(10Pcs/CTN)</td> </tr> </table>	WATTAGE	EM119	NT. WEIGHT	2.07 lbs(N.W)	BOX DIM.	17.7" x 16.1" x 17.3"(10Pcs/CTN)
WATTAGE	EM119							
NT. WEIGHT	2.07 lbs(N.W)							
BOX DIM.	17.7" x 16.1" x 17.3"(10Pcs/CTN)							

ORDERING INFORMATION

EXAMPLE:

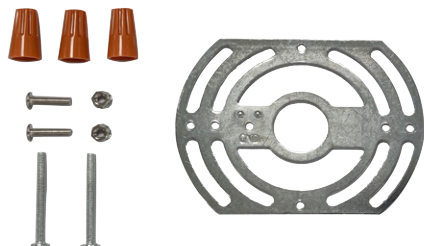
EM110 / EM114 / EM119

EM	110
PRODUCT	WATTAGE
EM Emergency Light	110/114/119 Product Code

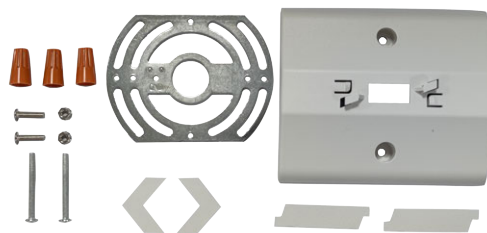
LED Emergency Light

TYPE: EM110,EM114,EM119

ACCESSORIES (Standard)



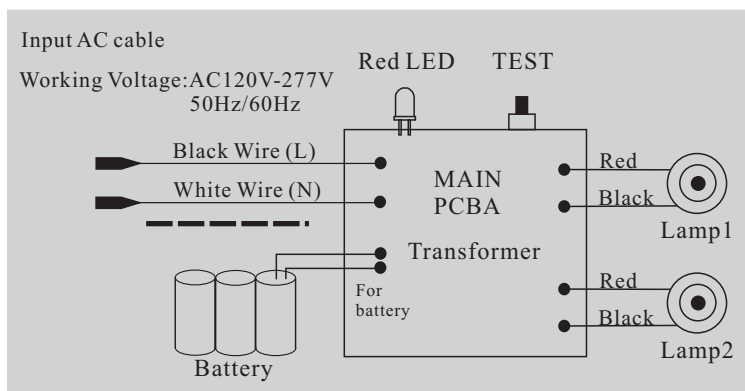
EM110



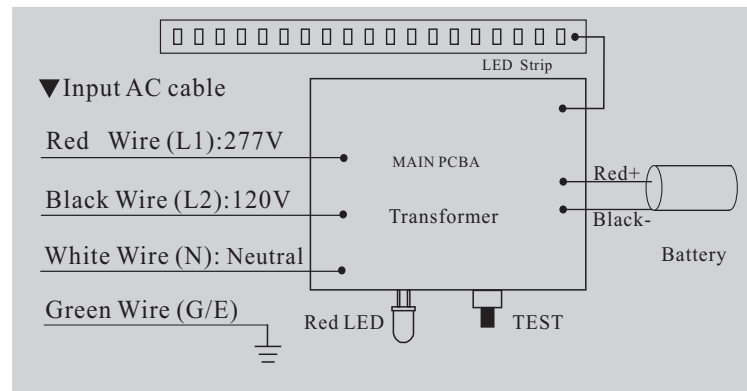
EM114/EM119

WIRING DIAGRAM:

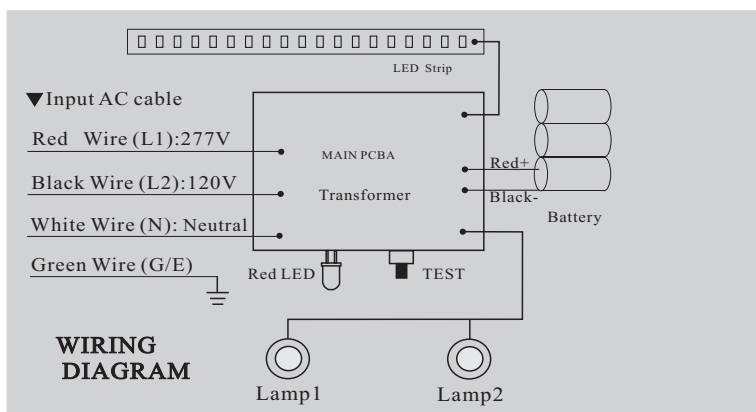
EM110



EM114



EM119



LED Emergency Light

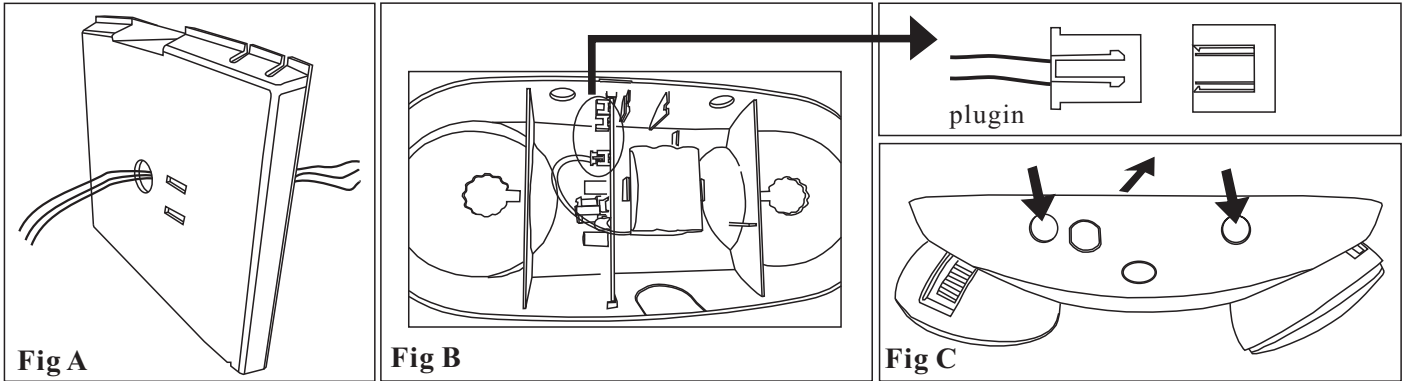
TYPE: EM110,EM114,EM119

INSTRUCTIONS :

EM110:

INSTALLATION(J-BOX MOUNTING):

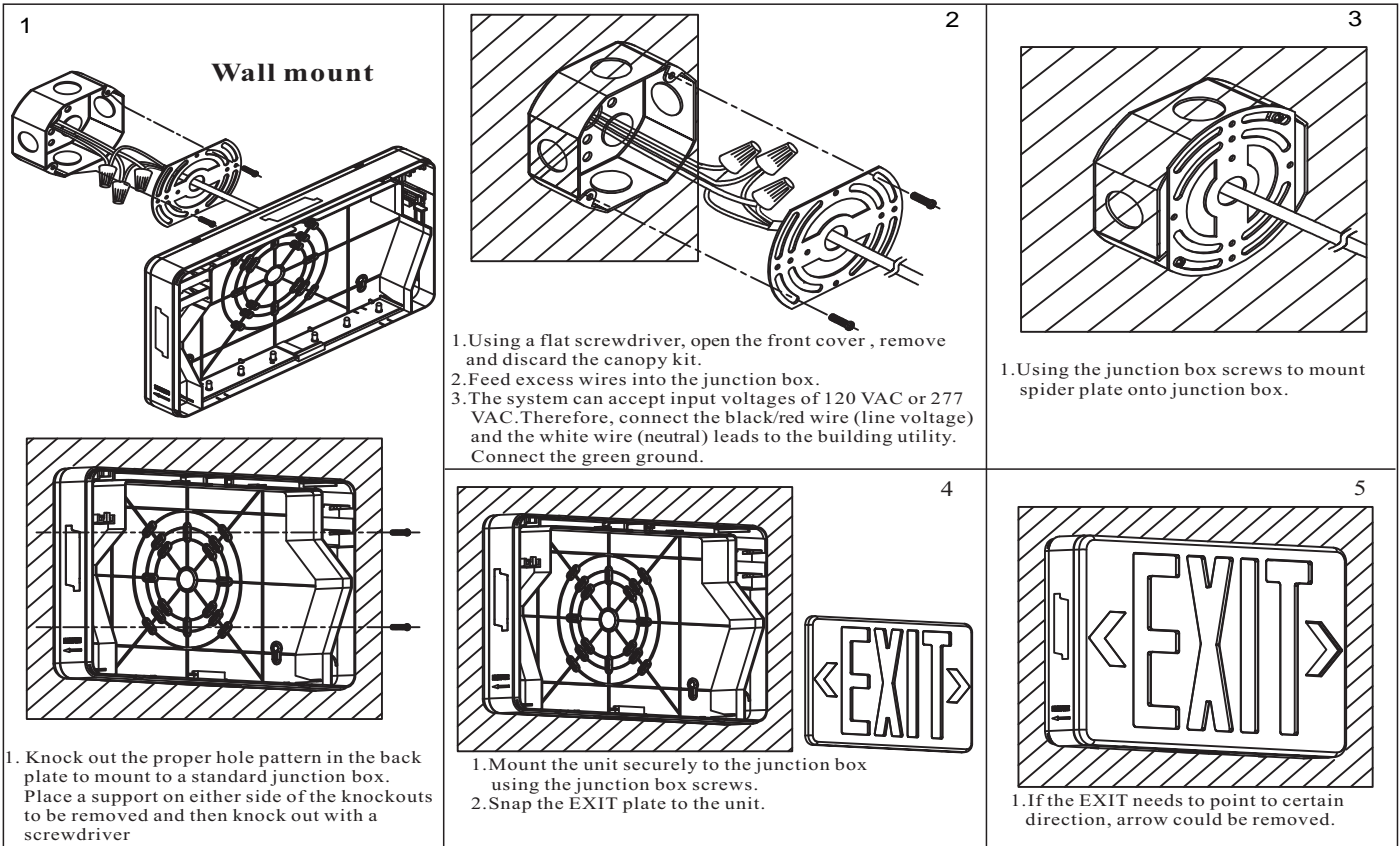
- 1 Feed fixture leads through main bottom case and connect AC power supply (Fig A).
- 2 Connect wires through J-Box .Place bottom case on J-Box and secure with screws.
- 3 Connect battery only when continuous AC power can be provided to the unit(Fig B) .
- 4 Align snaps and push housing directly onto main bottom case (Fig C) apply continuous AC power and press "TEST" button to check lamps.



WARNING:

Unused wires must be capped using using enclosed wire nuts.

EM114:



LED Emergency Light

TYPE: EM110,EM114,EM119

Ceiling mount

- Using a flat screwdriver, open the front cover, remove and discard the canopy kit.
- Feed excess wires into the junction box.
- The system can accept input voltages of 120 VAC or 277 VAC. Therefore, connect the black/red wire (line voltage) and the white wire (neutral) leads to the building utility. Connect the green ground.

1. Using the junction box screws to mount spider plate onto junction box.

1. Install the canopy to junction box using the junction box screws.
1. Mount the unit securely to the canopy.
2. Snap the EXIT plate to the unit.

1. Using the junction box screws to mount spider plate onto junction box .

1. Insert the canopy onto the location where the mounting hole cover was removed
- Mount the unit securely to the canopy
- Snap the EXIT plate to the unit.

Side mount

- Using a flat screwdriver, open the front cover, remove and discard the canopy kit.
- Feed excess wires into the junction box.
- The system can accept input voltages of 120 VAC or 277 VAC. Therefore, connect the black/red wire (line voltage) and the white wire (neutral) leads to the building utility. Connect the green ground.

1. Using the junction box screws to mount spider plate onto junction box .

1. Insert the canopy onto the location where the mounting hole cover was removed
- Mount the unit securely to the canopy
- Snap the EXIT plate to the unit.

LED Emergency Light

TYPE: EM110,EM114,EM119

EM119:

<p>STEP 1 Remove the face cover by gently prying it open with a flat screwdriver.</p>	<p>STEP 2 Pass the wires through the lamp mounting holes of housing. Insert lamp heads into housing and twist them to lock firmly.</p>	<p>STEP 3 Connect the wires of lamp into PCB terminal as per drawing.</p>	<p>STEP 4 Install back the face cover.</p>
--	---	--	---

INSTALLATION DIAGRAM

<p>1 Wall mount</p> <p>1. Knock out the proper hole pattern in the back plate to mount to a standard junction box. Place a support on either side of the knockouts to be removed and then knock out with a screwdriver.</p>	<p>1. Using a flat screwdriver, remove the front cover, remove and discard the canopy kit. 2. Feed excess wires into the junction box. 3. The system can accept input voltages of 120 VAC or 277 VAC. Therefore, connect the black/red wire (line voltage) and the white wire (neutral) leads to the building utility. Connect the green ground.</p>	<p>1. Using the junction box screws to mount spider plate onto junction box.</p> <p>1. If the EXIT needs to point to certain direction, arrow could be removed.</p>
<p>1. Using a flat screwdriver, remove the front cover, remove and discard the canopy kit. 2. Feed excess wires into the junction box. 3. The system can accept input voltages of 120 VAC or 277 VAC. Therefore connect the black/red wire (line voltage) and the white wire (neutral) leads to the building utility. Connect the green ground.</p>	<p>1. Mount the unit securely to the canopy. 2. Snap the EXIT plate to the unit.</p>	