

LED FLOOD LIGHT

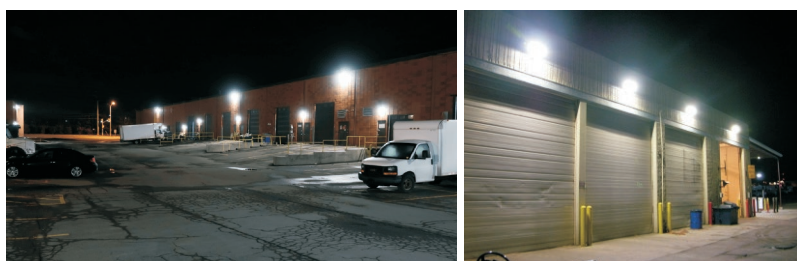


Benefits & Features

- Textured architectural bronze powder coat finished over a chromate conversion coating. Custom colors available upon request.
- Die-casting aluminum alloy housing with durable, dark bronze powder coat finished.
- Yoke & Knuckle.
- Includes ½" NPS stem with locking nut.
- Heat-resistant PC cover, solid and durable corrosion-proof.
- IP65 rated, wet location.
- 5 years warranty.

Applications

Site, pathway, security, overhead door and entrance lighting.



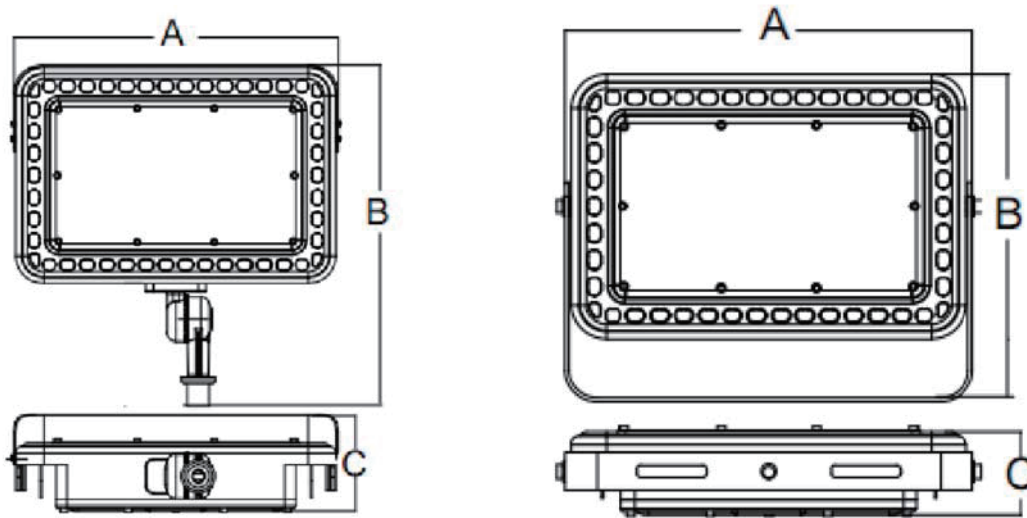
Specifications

Model#	Power	Lumens	LED Chip	CRI	CCT	Input Voltage	Beam Angle	Operation Temp.	Life Hrs
BWFL12	12	1500lm	3030	>70	30K/40K/50K	120-277V	145°X 95° 7H5V	-40~+122°F -40~+50°C	>50,000hrs
BWFL20	20	2400lm	3030	>70	30K/40K/50K	120-277V	145°X 95° 7H5V	-40~+122°F -40~+50°C	>50,000hrs
BWFL30	30	4200lm	3030	>70	30K/40K/50K	120-277V	145°X 95° 7H5V	-40~+122°F -40~+50°C	>50,000hrs
BWFL50	50	6700lm	3030	>70	30K/40K/50K	120-277V	145°X 95° 7H5V	-40~+122°F -40~+50°C	>50,000hrs
BWFL75	75	9250lm	3030	>70	30K/40K/50K	120-277V	145°X 95° 7H5V	-40~+122°F -40~+50°C	>50,000hrs

Ordering Info: BWFL12XX

BW	FL	12	X	X
Company Name	Product Info	Wattage	CCT	Accessories
BW=Bestwon	FL=Flood Light	12=12W 20=20W 30=30W 50=50W 75=75W	3=3000K 4=4000K 5=5000K	P=photocell Blank=without photocell

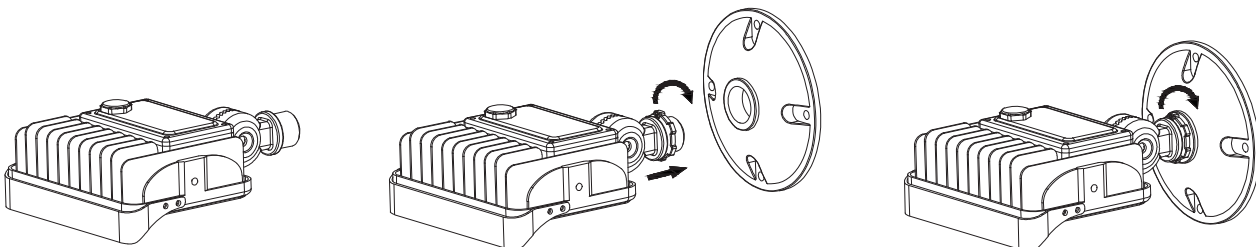
Dimensions



Ltem	AxBxC	
	Knuckle	Yoke
12W/20W	127x161x54 (5x6.34x2.12)	130x113x42 (5.12x4.45x1.65)
30W	193x186x62 (7.6x7.32x2.44)	196x150x47 (7.72x5.91x1.85)
50W	220x219x76 (8.66x8.62x2.99)	223x194x56 (8.78x7.64x2.2)
70W	289x304x85 (11.38x11.97x3.35)	294x239x60 (11.57x9.41x2.36)

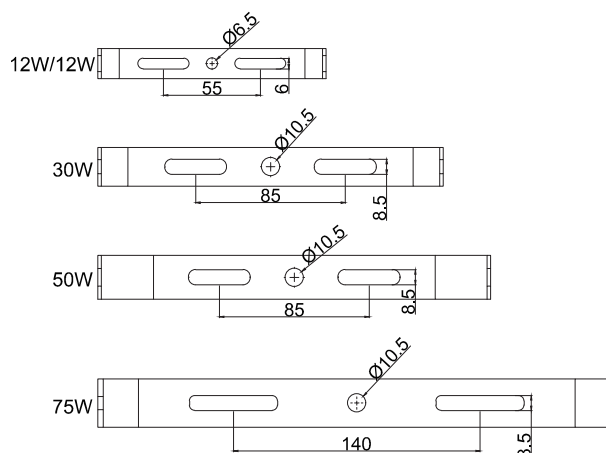
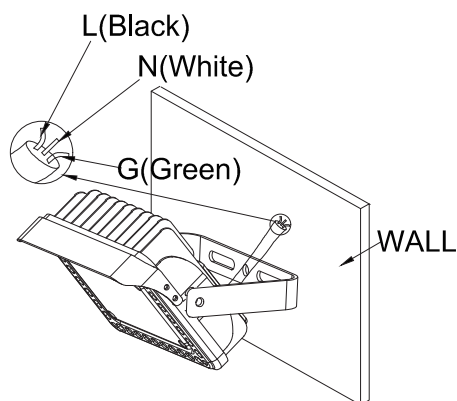
Installation Instructions

1. Knuckle mounting (optional)



1. Screw in the fixture as shown in the picture into a UL approved junction box socket.
2. Adjust the beam angle to desired direction & tighten the fixture.
3. Connect the L/N/Ground wires.

1.Surface mounting



1. Drill the holes as per the dimensions marked on right for different wattage.
2. Fix the fixture on a sturdy wall.
3. Connect the L/N/Ground wires.

Cautions

- The small size of this high-powered LED flood light can provide from 12W up to 300W of powerful (80W-300W please refer to Eco series Flood light), bright light that provides as much coverage as full sunlight on a sunny day.
- This series is a group of architectural LED area luminaires designed to illuminate parking areas, doorways, pathways, building facades, loading docks, and a wide variety of other large, general site lighting applications. Replace existing HID Flood lights/ wall packs. Multiple mounting options make the BWFL series a versatile luminaire for flood lighting, pole, ground.