

## Description

LED Post Lantern Light luminaire has a beautiful classic design which is intended for outdoor school, garden walkway/pathway/yard/sidewalk lighting applications. With reliable LED driver and edged thermal management high-performance illumination that lasts over 50,000hrs, It's ideal for replacing 100-500W metal halide HPS CFL with typical energy savings of 80%



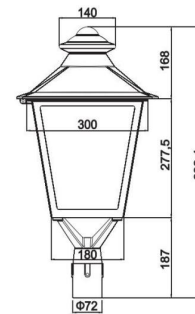
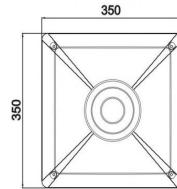
## LED Post Lantern Light



## Features

- \* Die casting aluminum housing & frosted diffuser
- \* UL Sosen driver
- \* IP65 waterproof
- \* Easy installation and operation
- \* CRI >80Ra
- \* 3CCT adjustable: 3000K/4000K/5000K(30W 60W), 4000K/5000K(120W)
- \* Lighting distribution: type V
- \* Working temperature: -45°C~ 45°C
- \* Eco friendly without mercury
- \* Instant start, no flickering, no humming
- \* Energy saving, long lifespan
- \* No UV or IR
- \* 5 years warranty
- \* Working voltage 100-277V(standard), 180-480V(special)
- \* Black housing(standard) white/bronze finish optional (special)
- \* Bottom base Inner diameter 72mm
- \* Photo cell optional
- \* Pole mounted(standard), Wall mount bracket optional (special)

unit:mm



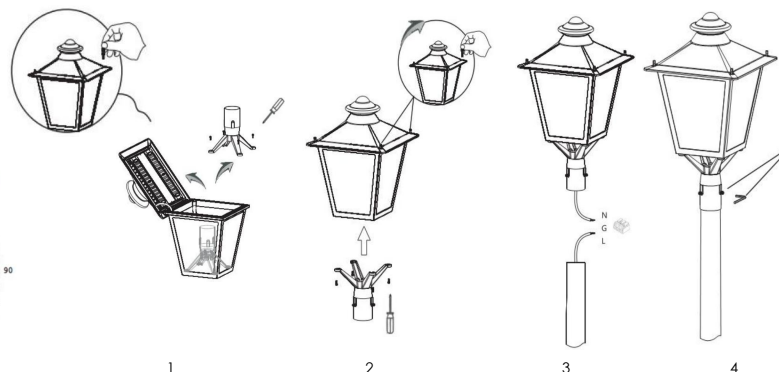
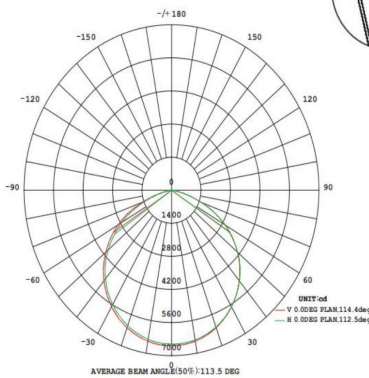
## Specification

Product number	Watts	Voltage	Lumen	Dimension	LED chips	Beam Angle	IP rating	Certs	Equivalent
CH-YTL-30W	30W	100-277V (Standard) 180-480V (Special)	3,900LM	13.7"x13.7"x24.9"	Philips	120°	IP65	cETL ETL DLC	100-120W HID
CH-YTL-60W	60W		7,800LM	13.7"x13.7"x24.9"	Philips	120°	IP65	cETL ETL DLC	150-200W HID
CH-YTL-120W	120W		15,600LM	13.7"x13.7"x24.9"	Philips	120°	IP65	cETL ETL DLC	300-500W HID

## Installation

Note: If the light post is larger than 2.375", we recommend to use our 3" or 4" tenon adapter reducer to make it fit our LED post lantern light.

## Photometrics



- Step 1:** Use your hand or tools to loosen the 2 screws on the top of the fixture, open the top cover of the fixture then take out the mount bracket inside the fixture.
- Step 2:** Close the top cover of the fixture, and fix the top cover onto the fixture using screws. And then after use a driver to fix the mount bracket to the fixture.
- Step 3:** Wire the cable with the cable in the pole.
- Step 4:** Use screws to fix the fixture onto the pole.

## Application

Outdoor light pole shopping mall, garden, plaza, church parking lighting, backyard, frontyard, roadway/pathway street post lighting etc

