

## Description

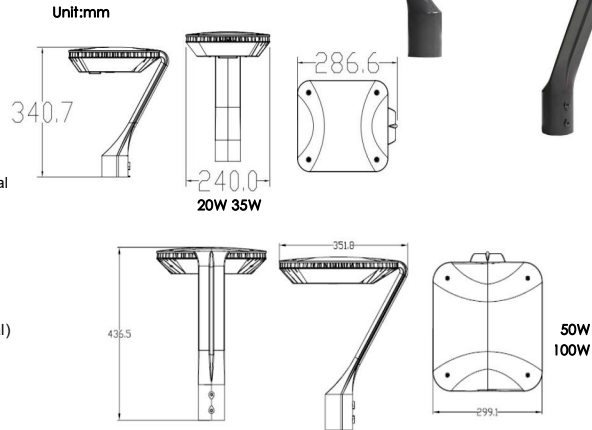
LED Post Top Light luminaire has a beautiful gooseneck design which is intended for outdoor school, garden walkway/pathway/yard/sidewalk lighting applications. With reliable LED driver and edged thermal management high-performance illumination that lasts over 50,000hrs, It's ideal for replacing 60-400W metal halide HPS CFL with typical energy savings of 80%

## LED Post Top Light



## Features

- \* Bronze aluminum housing
- \* Philips /Samsung chips & Sosen / MeanWell driver
- \* IP65 waterproof
- \* Easy installation and operation
- \* CRI >75Ra
- \* CCT 5000K(standard) 3000K/4000K//6000K (special)
- \* Lighting distribution: type V (standard) type II III (special)
- \* Working temperature: -40°C~ 45°C
- \* Eco friendly without mercury
- \* Instant start, no flickering, no humming
- \* Energy saving, long lifespan
- \* No UV or IR
- \* 5 years warranty
- \* Working voltage 100-277V(standard), 200-480V(special)
- \* White, black finish optional (special)
- \* Bottom base Inner diameter 60mm(2.36")
- \* Pole mounted slip fitter (standard)

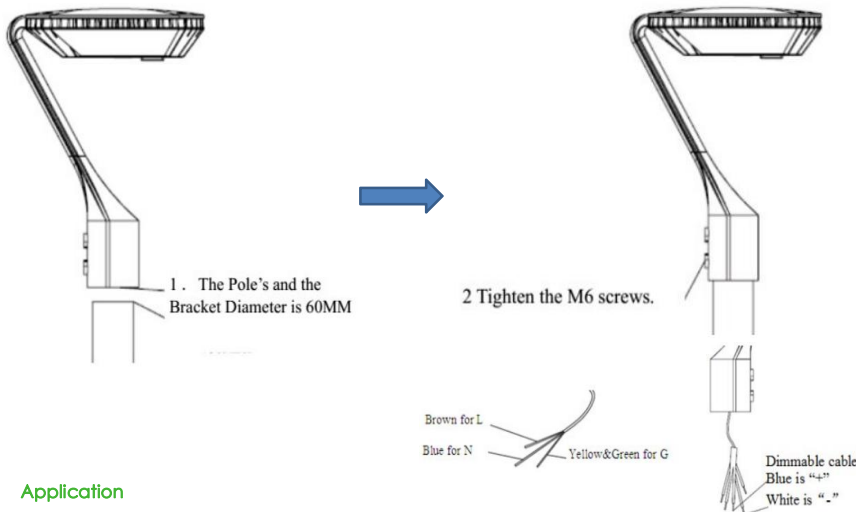


## Specification

Product number	Watts	Voltage	Lumen	Dimension	LED chips	Beam Angle	IP rating	Certs	Equivalent
CH-TP260-20W	20W	100-277V (Standard) 200-480V (Special)	2,500LM	11.3"x9.4"x13.4"	Philips SMD 3030	120°	IP65	cETL ETL DLC	60- 80W HID
CH-TP260-35W	35W		4,375LM	11.3"x9.4"x13.4"					100-150W HID
CH-TP325-500W	50W		6,250LM	13.6"x11.8"x17.2"					175-250W HID
CH-TP325-100W	100W		12,500LM	13.6"x11.8"x17.2"					300-400W HID

## Installation

Note: If the light post is larger than 2.36", we recommend to use our 3" or 4" tenon adapter reducer to make it fit our LED post top light bottom base.



## Application

Outdoor light pole shopping mall, garden, church parking lot lighting, backyard, frontyard, walkway/pathway street post lighting etc

