

4" 9W Gimbal 3CCT LED Panel Spec Sheet

SYG Part #: ORLLPG4RD9W3CCT-WH



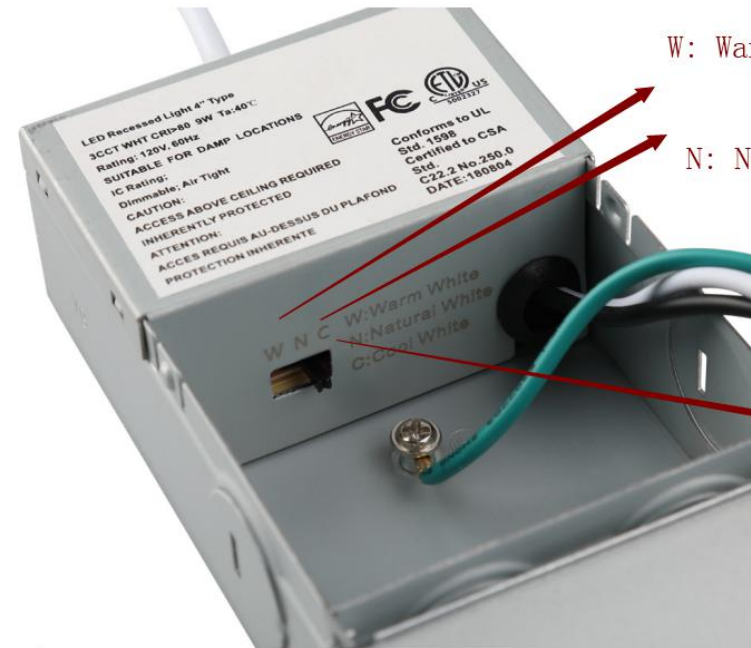
Advantage of Gimbal Panel lights:

4inch Gimbal LED Panel

(Easier to install, Cost saving)



Replace →



W: Warm White 3000K

N: Natural White 4000K

C: Cool White 5000K

Design advantages:

ANTI-GLARE DESIGN

Anti-Glare Circle For Recessed Panel Light



High Efficiency ,9W=80W
Special Design ,Anti-glare
Harmless to Eyes
Not Feeling Dizzy

Common LED Lighting

Anti-Glare CircleLED
Lighting



IC Rating



Dimmable



Energy Star

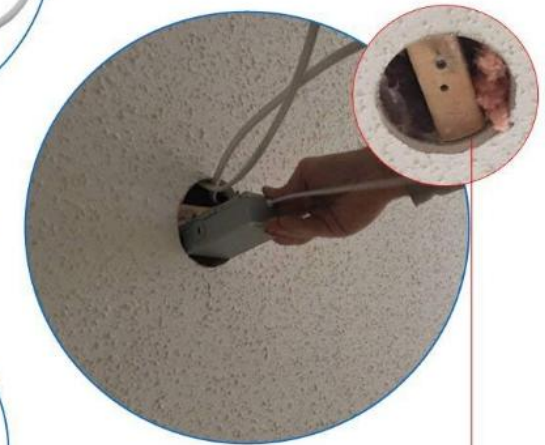
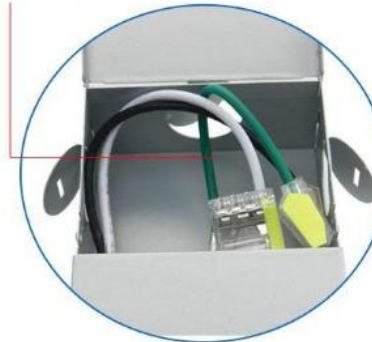


Intertek
ETL



Small Junction Box with
Bigger Inner Size

Three Holes Junction Box
for Wire Connections from
different directions.



Our Junction Box can be well
used to the small space with
wooden in the middle, without
any damage to the ceiling.

1. 4inches 9W Gimbal Panel lights, Angle Changeable 20Degree.
2. With Junction box, compatible for North America's installation regulation requirement.
3. ETL approved, 5 years warranty.
4. Triac dimmable.
5. IC Rated, Air Tight and Suitable for Damp Location.

Notice:

1. Cutting off the electricity before installation.
2. Installation can only be done by qualified electrician.
3. Input voltage is AC120V 50/60Hz. Please kindly confirm the voltage before installation.
4. If the down lights can't work normally, please contact our customer service.
5. It will be out of warranty if damage is caused by personal mistake.

Item No.	Voltage	Watt	Lighting Color	CCT	Dimmable	Certificates
LPG4RD9W3K-WH	120V	9W	Warm White	3000K	YES	ETL/ES
LPG4RD9W4K-WH	120V	9W	Natural White	4000K	YES	ETL/ES
LPG4RD9W5K-WH	120V	9W	Cool White	5000K	YES	ETL/ES
LPG4RD9W6K-WH	120V	9W	Daylight	6000K	YES	ETL

Application

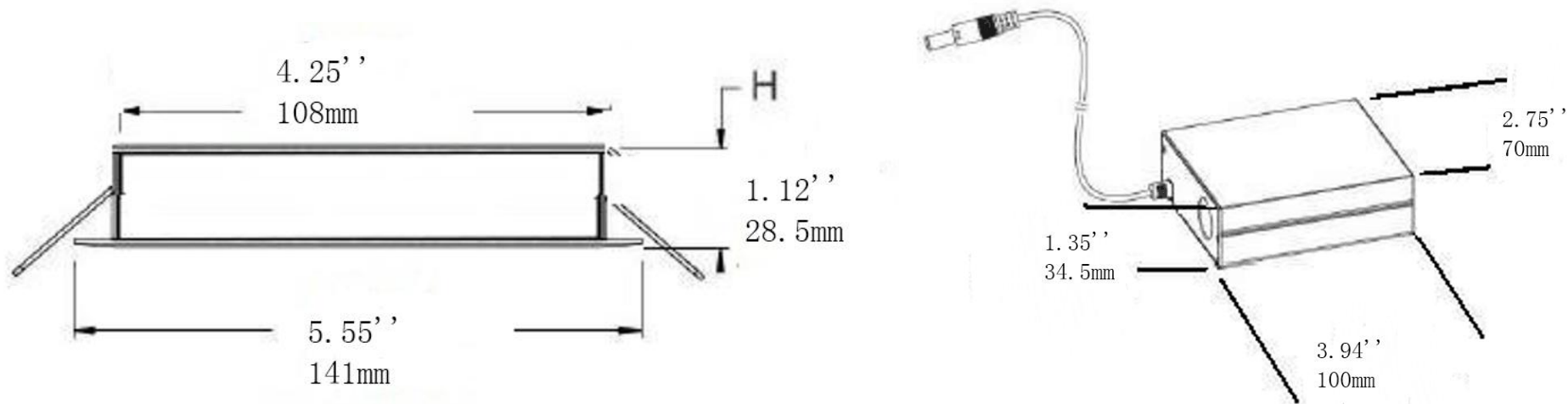
- 1- Office, factory, warehouse, parking lot;
- 2- Market, school, library, hospital, museum;
- 3- Home lighting;



Certificates



Drawing



Type	Value
Outer Diameter	5.55"/141mm
Cut Hole	4.25"/108mm
Height (Panel)	1.12"/28.5mm
Height (Junction Box)	1.35"/34.5mm
Length (Junction Box)	3.94"/100mm
Width (Junction Box)	2.75"/70mm
Adjustment Angle	20°

Parameters

Electrical Characteristics	
Input Voltage	120V AC60Hz
Rated Power	9W
Replacement	9W=80W Halogen
Installation of LED Driver	External
Type of LED Driver	Constant current output
Power Factor	0.95~0.98
Operating Temperature	-10℃-40℃

Optical Characteristics	
Adjustment Angle	20°
Brand of LED Chip	Taiwan Epistar
Lumen	750Lm
Life Span Based on 3hrs/day	45years
CRI	>80
Beam Angle	180 degree
CCT	3CCT (3000K/4000K/5000K 3 colors built in)

Other	
Energy Level	A
Warranty	5 years
Working Hours	50,000hrs
IP range	IP44
Material	Aluminum housing with PMMA lampshade

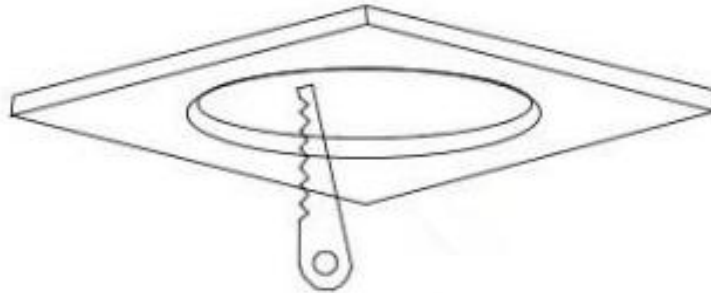
Dimmer List

Lutron Brand:Leviton Brand:

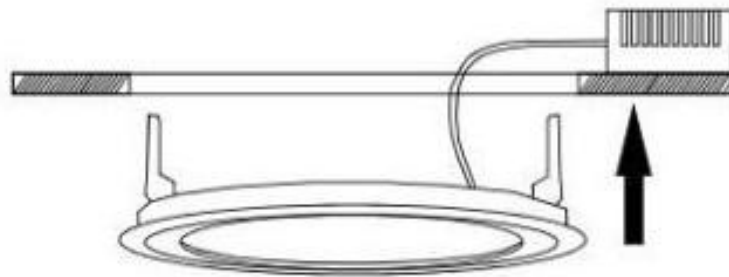
- CTCL-1533PHD-WH-C6681-732
- DV-600PR-WH-CIPSD6-722
- MA-LFQHW-WH-C
- MACL-153MH-WH-C
- TT-300H-WH-CSA
- MACL-153MRHW-WHC
- CT-600P
- SCL-153P
- CTCL-153P
- DVCL-153P
- MACL-153M
- S-600P

Installation

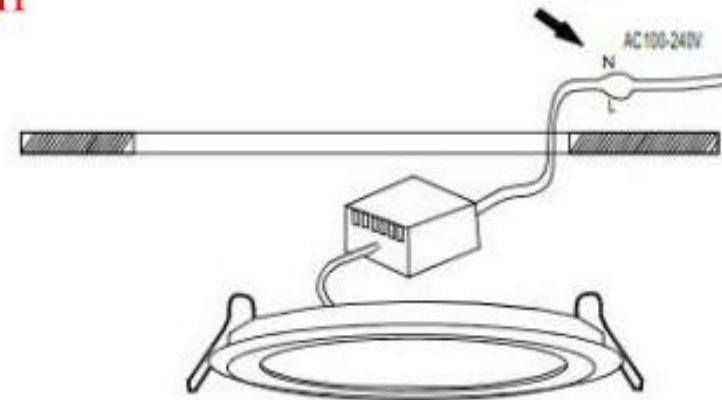
Turn off the switch before application



1- drill on the ceiling;



3- straight the spring,
then put into the hole;



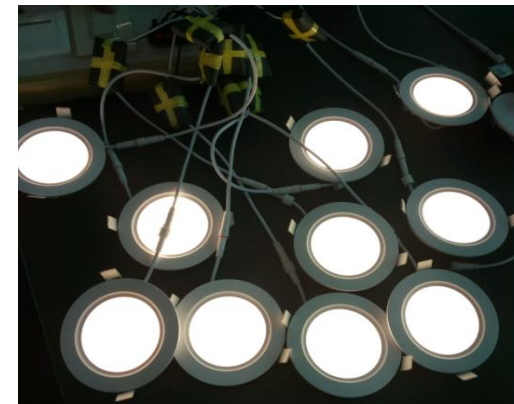
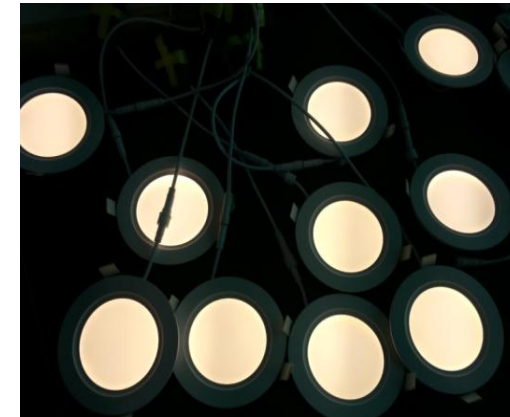
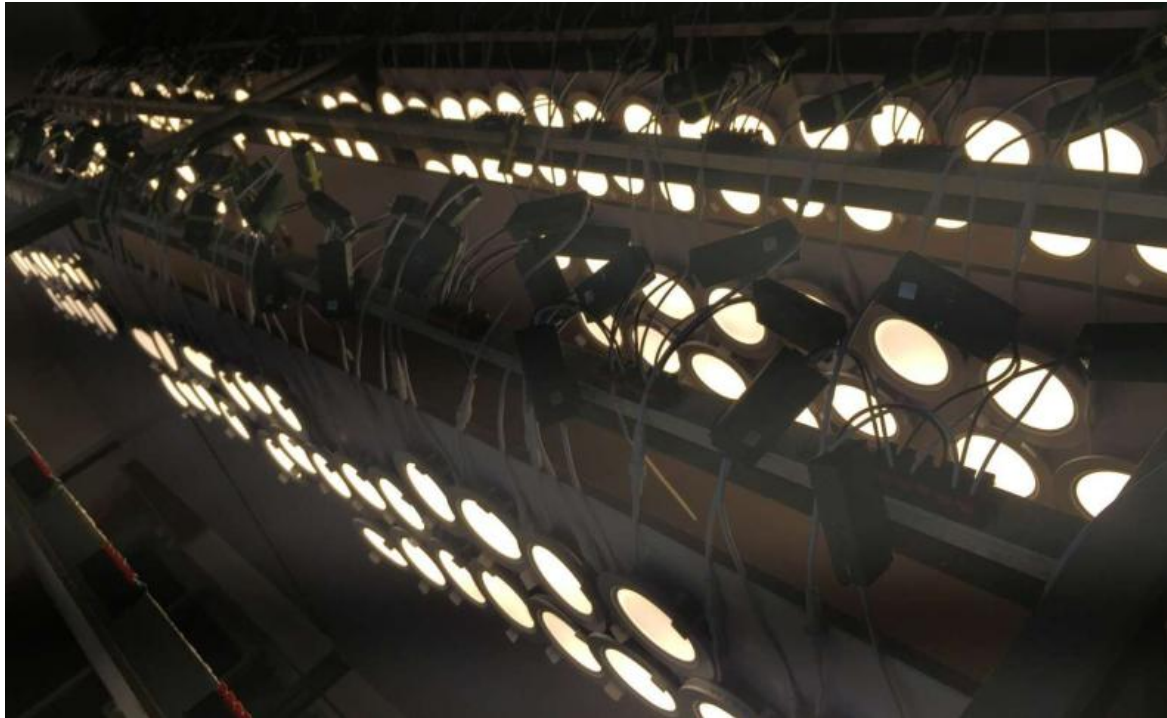
2- connect with the driver,
make the insulation measure;



4- finished.

Testing:

Dimming Testing and 72hours time testing before packaging.



Packaging

