

The IB7000 is an interface box used to connect the DM5 microphone, SS7000 speaker, or SP10 speaker to a NEXEO Base Station.

TOOLS/EQUIPMENT REQUIRED

- Screwdriver/Wrench for opening speaker post.
- Wire Strippers, cutters, and other standard tools used for terminating cables/wires.
- Audio Cable (not included)

INSTALLATION AND SETUP

Fig. 3 shows how the IB7000 is typically connected. Adhesive strips on the housing allow the IB7000 to be affixed to a clean, dry surface inside the speaker post.

Note: The IB7000 must be mounted vertically, inside the speaker post, close to the speaker/microphone. This will help minimize audio hum and noise (thus, do not mount the IB7000 too far away, such as inside the store).

- The two-pin Loop connector connects to the ground loop.
- The three-pin PLC/BASE connector connects to J4500 on the base station. This connection requires the shield/drain to be grounded; see Table 1.
- The seven-pin DM5 MIC | SPKR connector connects to the Microphone and Speaker; see Table 2.
- The five-pin RELAY | BCKP SPKR connector (optional) connects to an intercom system like the IC300 if a backup is needed in the event of a system failure.



Fig. 1

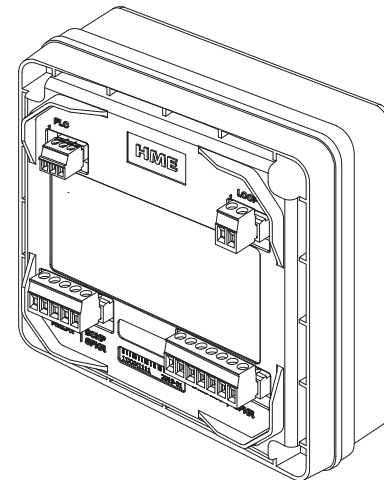


Fig. 2
Connector Side

NEXEO Base Station J4500/J4501 (Spkr/Mic Intrfc)		
Pin #	Label	to IB7000 PLC/BASE
1	Spkr/Mic PL +	IN1/PL+ (Red wire)
2	Spkr/Mic PL -	IN2/PC- (Black wire)
3	Shield	GND - (Shield/drain)
4	Spkr/Mic PL +	
5	Spkr/Mic PL -	
6	Shield	

Table 1

IB7000 DM5 MIC SPKR connector		
Pin #	Label	Description/wire color
1	Mic +	Ext. Microphone positive (Red)
2	Mic -	Ext. Microphone negative (Black)
3	GND	Mic Shield (must be terminated)
4	I.D.	1-WIRE I/F (Red) for SS7000 only
5	GND	Ground (Black) for SS7000 only
6	Spkr -	Speaker negative (White)
7	Spkr +	Speaker positive (Green)

Table 2

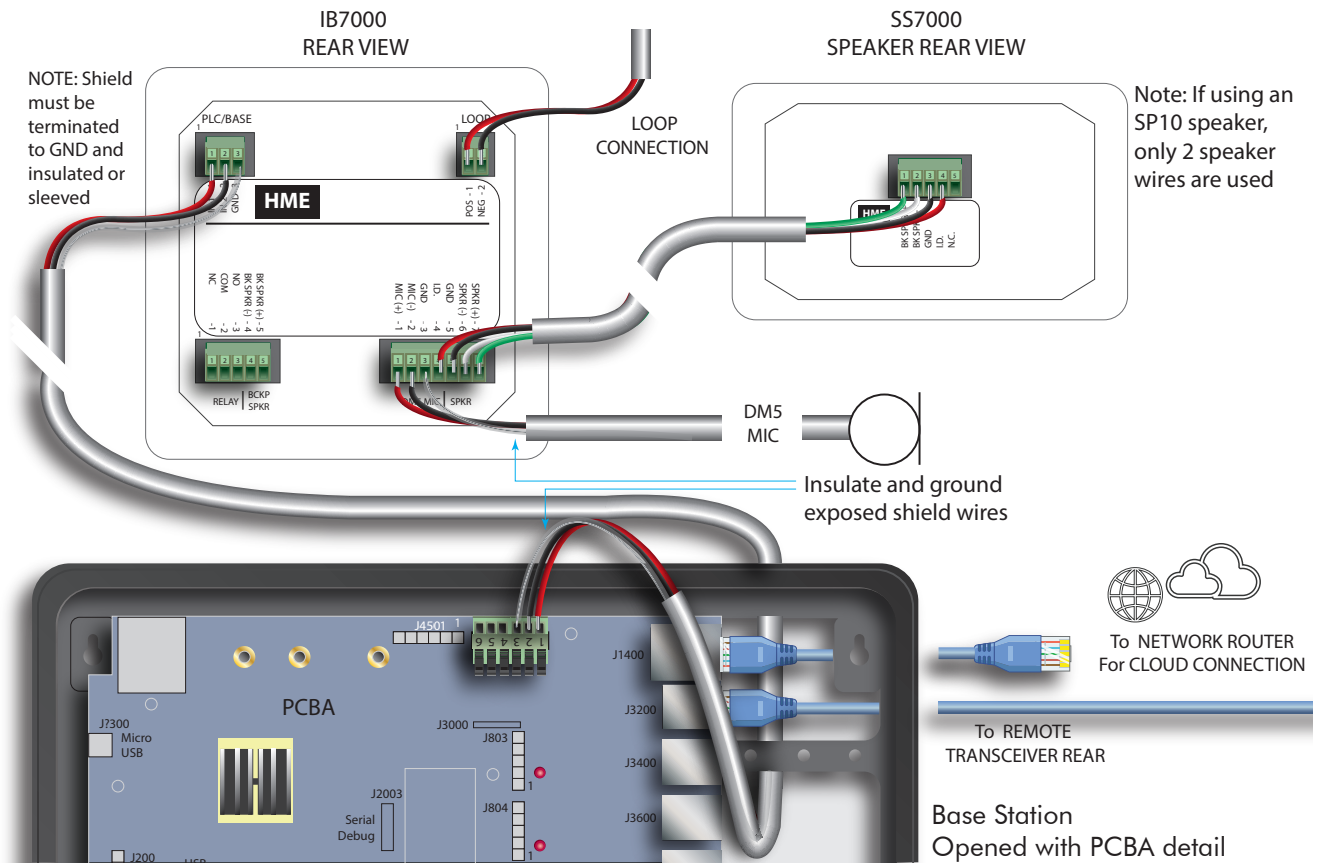
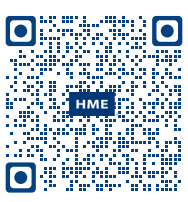


Fig. 3

TECHNICAL SPECIFICATIONS

IB7000	
Dimensions	5.68" H x 5.68" W x 2.05" D (144.27 x 144.27 x 52.07 mm)
Weight	14.4 oz (408.23 g)
Power Supply	Voltage: 48 VDC (powered from BS7000) Current: 0.331 A (max start up)
Frequency Range	Audio: 100 Hz to 7.4 kHz Powerline network over 48 VDC: 2 MHz – 67.5 MHz
Power	Nominal power with no audio: 5.2 W Maximum power at maximum volume: 22 W
Front Panel	Two adhesive strips for mounting to a vertical surface
Rear Panel	Phoenix connector type headers (includes speaker output and analog DM5 microphone input)
Wireless	N/A
Temperature	Operating Temperature range: -25°C (-13°F) to +60°C (+140°F)
Compliance	See NEXEO HDX - Regulatory, Compliance, and Safety Guide online



A copy of this guide and additional information can be found under NEXEO | HDX by scanning this QR code or going to: <https://www.hme.com/qsr/drive-thru-user-manuals/>

The HME logo and product names are registered trademarks or trademarks of HM Electronics, Inc.