

LINK YOUR LIGHT |

Link Concept

nordlux®



Table of contents

03
Link your
light!

04
Full Link
Assortment

05
Endless
possibilities

06
Choose
your rail

08
Choose your
accessories

13
Choose
your light

38
Improved
packaging

39
Space
management

40
Marketing
media



Link your light!

The Nordlux Link System gives you endless possibilities to link and connect your light with the Link rails, connectors and adaptors and the many fantastic options of Link spots and pendants.

Simply put

The Link system makes mounting of spots and pendants simple and easy.

Choose your desired shape and size of the link rail and connect it to the power outlet.

Then, simply click the spot or pendant into the rail wherever you want it.

It is easy to move the lamps along the rail and to add more lights without having to drill any holes.

Full Link Assortment

1

Choose
your
Rail



Link Rail 107 cm

79079901 White
79079903 Black



Link Rail 180 cm

2110589901 White
2110589903 Black

NEW
2021

2

Choose your
accessories



Link Connect Turnable

79029901 White
79029903 Black



Link T-Connector Left

86069901 White
86069903 Black



Link X-Connector

86079901 White
86079903 Black



Link Connect

79059901 White
79059903 Black



Link T-Connector Right

86059901 White
86059903 Black



Link Opposite Adaptor

79039901 White
79039903 Black



Link Double Adaptor

79049901 White
79049903 Black



Link Adaptor

79069901 White
79069903 Black

3

Choose
your
Lighting



NEW
2021

Link Diskie

2110609901 Mat White
2110609903 Mat black



NEW
2021

Link Open

2110619901 Mat White
2110619903 Mat black



NEW
2021

Link Koniekel

2110629901 Mat White
2110629903 Mat black



NEW
2021

Link Rondie

2110639901
2110639903



NEW
2021

Link Rondie

2110649901
2110649903



NEW
2021

Link Omari

2112229901 White



Link Mib 6

71669901 White
71669903 Black



Link Single

86109901 White
86109903 Black



Link Frøya

86119901 White



Link Munin

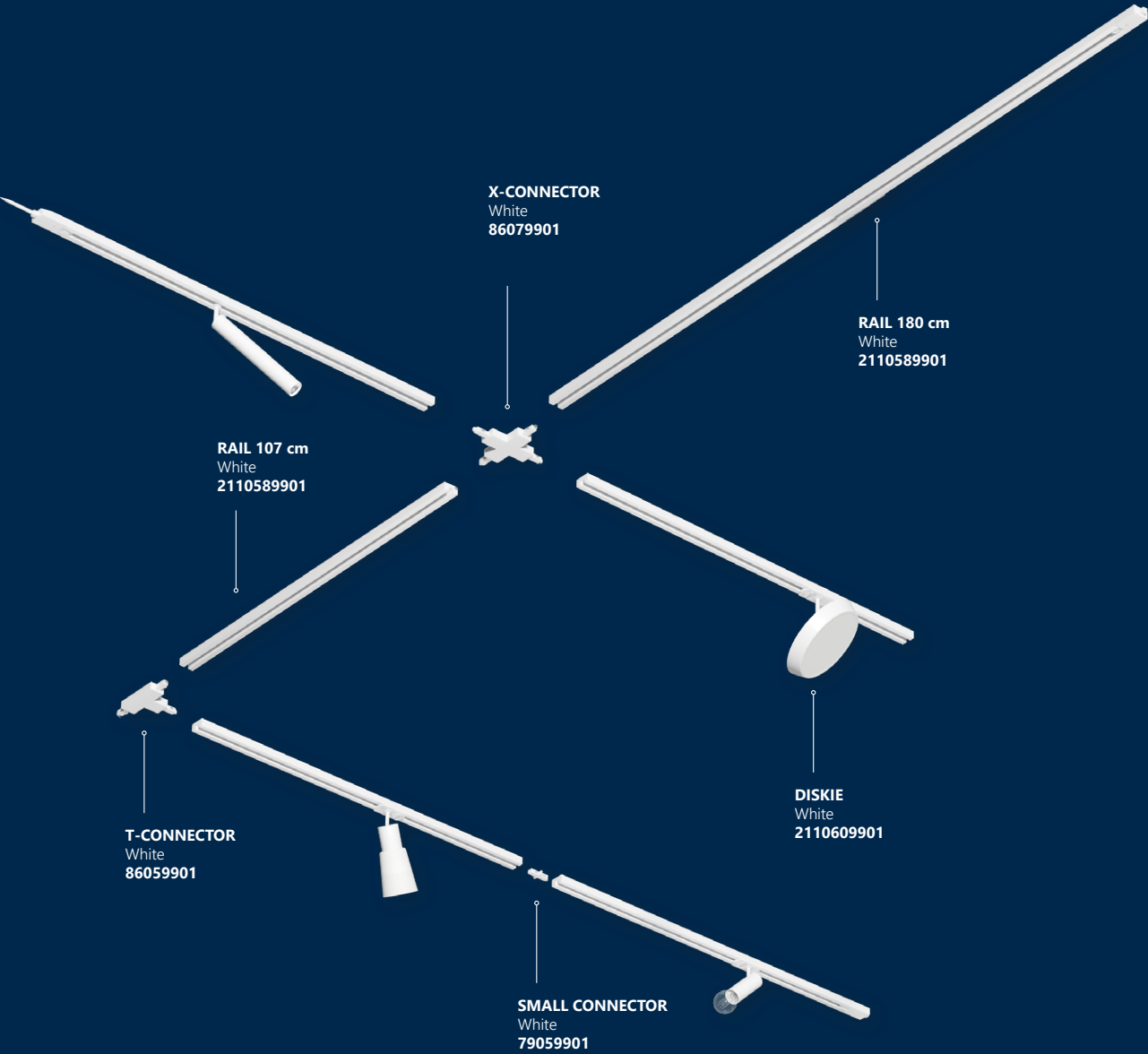
86129901 White



Link Explore

86189901 White
86189903 Black

Endless possibilities with the Link system



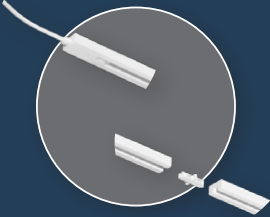
1

Choose your rail



2

Choose your accessories



3

Choose your light



1 Choose your rail

Choose the rail in the desired colour or length.
Choose between black or white, 1 m, or 1,8 m rails.

All rails are included with an adaptor, for fast and easy set up.





White
79079901



Black
79079903

Link 1M

- Masterbox** Qty 3
- Size** W: 3,5 cm, L: 107 cm, D: 1,8 cm
- Material** Metal
- IP Class** IP20, Class 1
- Light source** Max. 690W,

FEATURES

Adaptor included



White
2110589901



Black
2110589903

Link 1,8M

- Masterbox** Qty 3
- Size** H: 1,8 cm, W: 3,5 cm, L: 180 cm
- Material** Metal/Plastic
- IP Class** IP20, Class 1
- Light source** Max. 690W, Excl. light source

FEATURES

Adaptor included



NEW
2021

NEW
2021

2 Choose your accessories

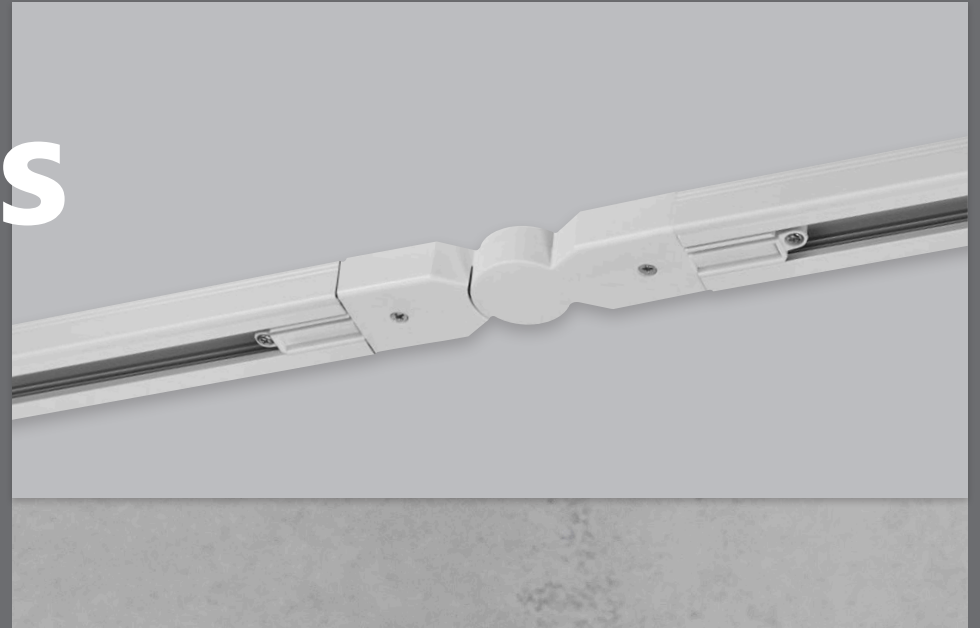
The link system is unique because of the different possibilities that our connectors and adaptors can facilitate.

Connector

The connectors can connect rails, so they can be linked in any possible direction, angle or length. The connectors lead the electricity through all the rails.

Adaptor

The adaptors enable you to adapt the link system to your electrical output, so you are able to adapt your own pendants to the rails or even change the end of the rail in which the electrical connection is.





White
79059901



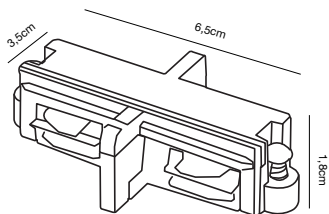
Black
79059903

Link Connect

Masterbox	Qty 6
Size	W: 3,5 cm, L: 6,5 cm, D: 1,8 cm
Material	Plastic
IP Class	IP20, Class 1
Light source	Max. 690W,

FEATURES

For connection of two rails.



White
79029901



Black
79029903

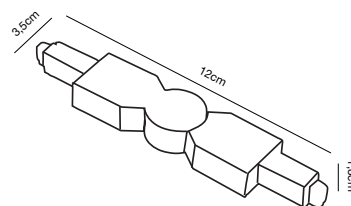
Link Connect Turnable

Masterbox	Qty 6
Size	W: 3,5 cm, L: 12 cm, D: 1,8 cm
Material	Plastic/Metal
IP Class	IP20, Class 1

FEATURES

Connector, that connects two link rails

Turnable, so you can adjust the angle of the connected rails from 70- 290 degrees





White
86059901



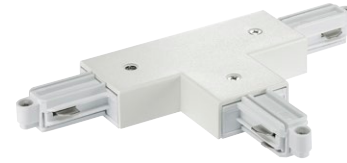
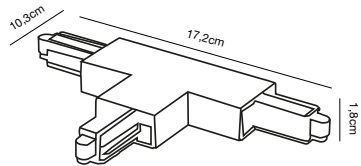
Black
86059903

Link T-Connector Right

Masterbox	Qty 6
Size	H: 1,8 cm, W: 10,3 cm, L: 17,2 cm
Material	Plastic/Metal
IP Class	IP20, Class 1
Light source	Max. 660W,

FEATURES

Connector for rails without power supply.



White
86069901



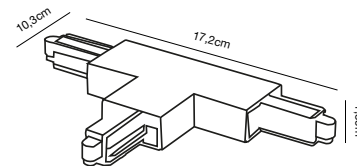
Black
86069903

Link T-Connector Left

Masterbox	Qty 6
Size	H: 1,8 cm, W: 10,3 cm, L: 17,2 cm
Material	Plastic/Metal
IP Class	IP20, Class 1
Light source	Max. 660W,

FEATURES

Connector for rails without power supply.





White
86079901



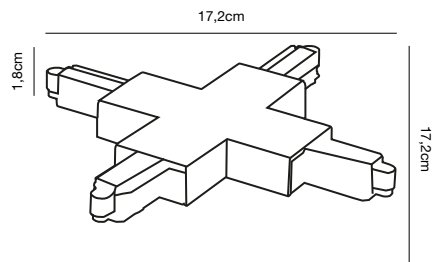
Black
86079903

Link X-Connector

Masterbox	Qty 6
Size	H: 1,8 cm, W: 17,2 cm, L: 17,2 cm
Material	Plastic/Metal
IP Class	IP20, Class 1
Light source	Max. 660W,

FEATURES

Connector for rails without power supply.



White
79049901



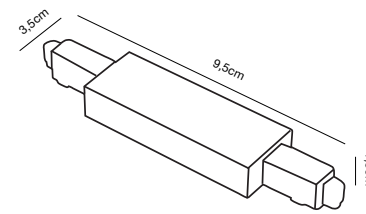
Black
79049903

Link Double Adaptor

Masterbox	Qty 3
Size	W: 3,5 cm, L: 9,5 cm, D: 1,8 cm
Material	Plastic
IP Class	IP20, Class 1

FEATURES

For connection of two rails without power supply.



White
79069901



Black
79069903

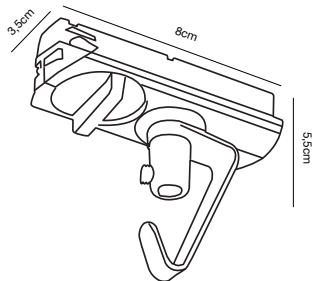


Link Adaptor

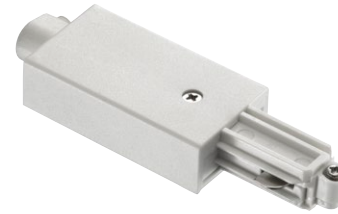
Masterbox Qty 6
Size W: 3,5 cm, L: 8 cm, D: 5,5 cm
Material Plastic
IP Class IP20, Class 1
Light source Max. 115W,

FEATURES

For mounting of pendants – max. 4 kg.
The wire hook can be dismantled.



White
79039901



Black
79039903

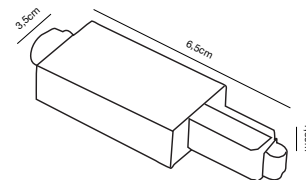


Link Opposite Adaptor

Masterbox Qty 3
Size W: 3,5 cm, L: 11,4 cm, D: 1,8 cm
Material Plastic/Metal - Plastic
IP Class IP20, Class 1

FEATURES

Opposite adaptor for rails with power supply



3 Choose your light



Choose your Link spot

You can choose your favourite Link spots from our Link assortment – they are ready to be connected to the rails.

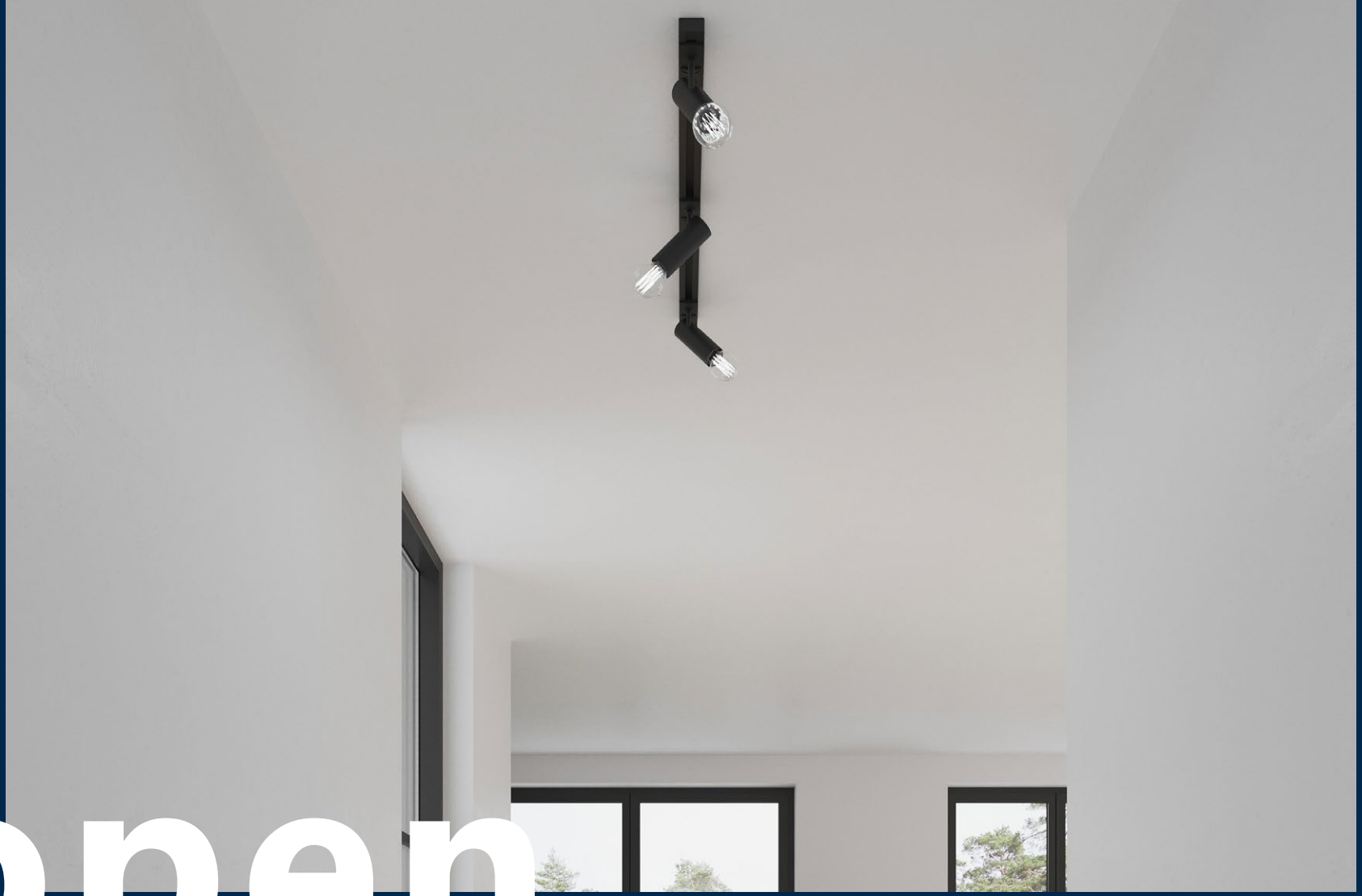


Choose your pendant

If you want to hang one, two or multiple pendants of your own choice in the rail system, use the pendant adaptor, to easily connect the pendant to the rail.



open





Mat White
2110619901



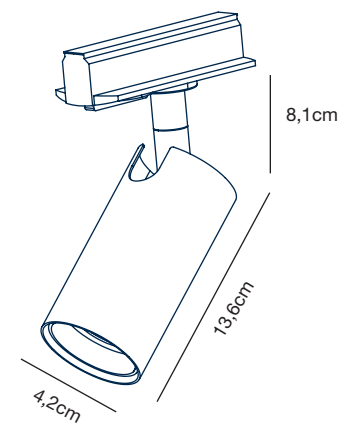
Mat black
2110619903

Link Open

Masterbox	Qty 3
Size	H: 13,4 cm, L: 8,1 cm, Ø: 4,2 cm, Tilt angle: 90°
Material	Metal/Plastic
IP Class	IP20, Class 1
Light source	E27, Max. 60W, Excl. light source,

FEATURES

Spot head can be positioned straight down
Especially designed for LED decorative bulbs



diskie





Mat White
2110609901



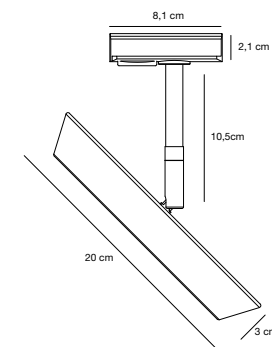
Mat black
2110609903

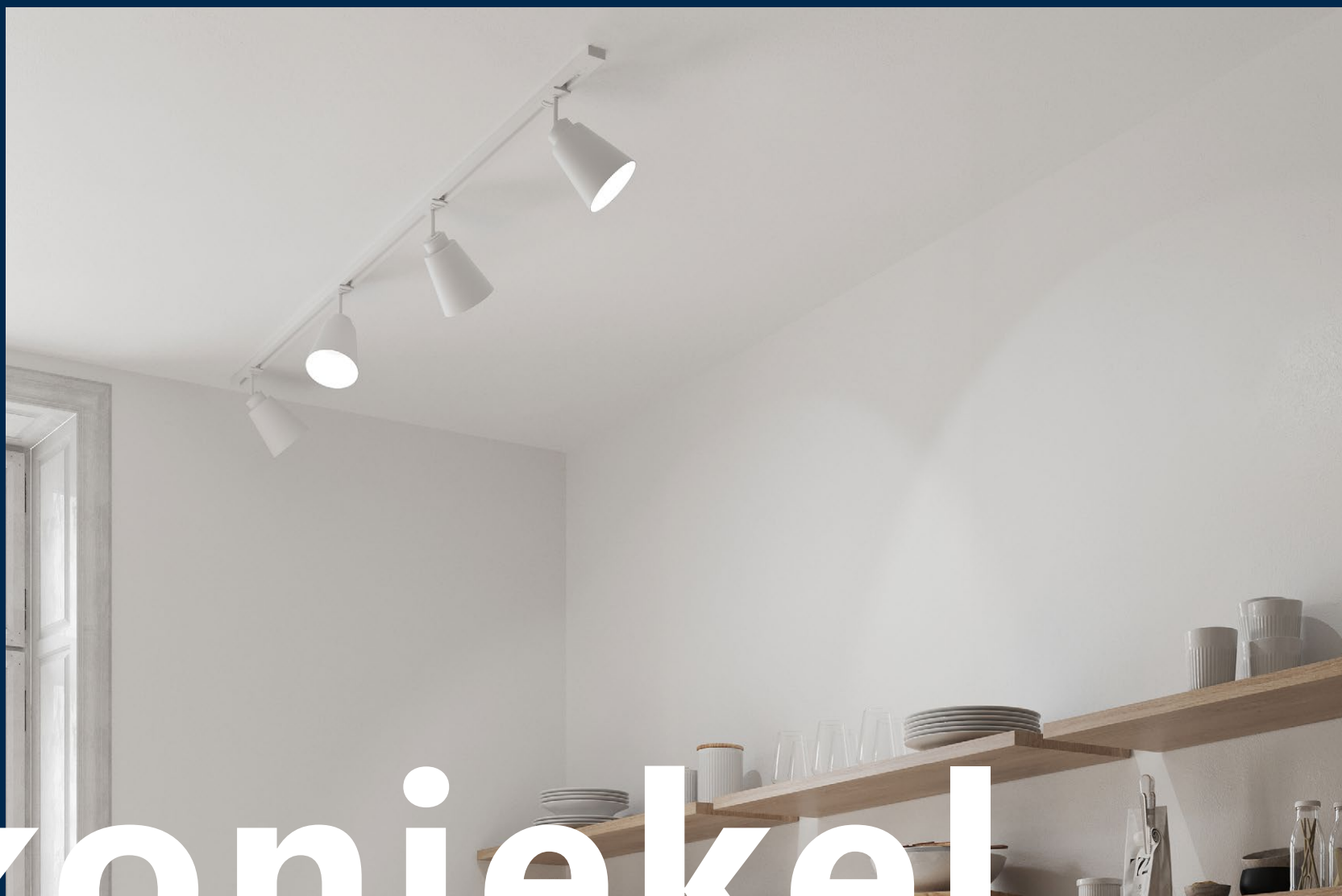
Link Diskie

- Masterbox** Qty 3
Size H: 14 cm, D: 14 cm, Shade Ø: 20 cm, Tilt angle: 90°
Material Metal/Plastic
IP Class IP20, Class 1
Light source Fixed LED, Incl. 8W LED, Lumen 750, Kelvin 3000, Life hours 20.000, RA 90, Beam angle 120°, Not dimmable

FEATURES

- LED integrated AC SMD 7W
- Dimmable
- RA90 natural light
- 5 year LED guarantee





koniekel



**NEW
2021**

Mat White
2110629901



**NEW
2021**

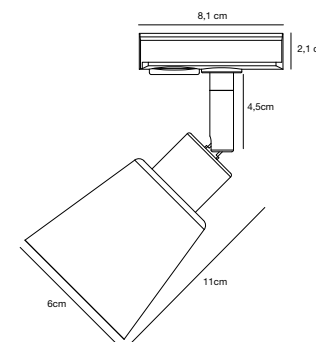
Mat black
2110629903

Link Koniekel

- Masterbox** Qty 3
- Size** H: 17,13 cm, W: 10,37 cm, L: 8 cm, Shade Ø: 8 cm, Tilt angle: 90°
- Material** Metal/Plastic
- IP Class** IP20, Class 1
- Light source** GU10, Max. 50W, Excl. light source,

FEATURES

- Including two reflectors, metal and glass
- Chose your bulb for colour, beam angle and lumen
- White: Including frosted white glass
- Black: Including smoked transparent glass



rondie





2110639901



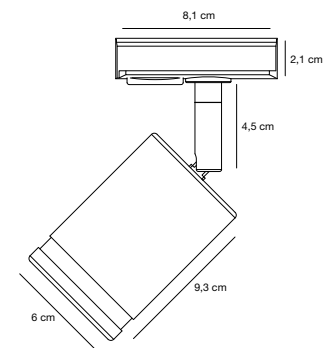
2110639903

Link Rondie

- Masterbox** Qty 3
Size H: 15,2 cm, W: 6 cm, L: 8,2 cm, Shade Ø: 6 cm, Tilt angle: 90°
Material Metal/Plastic
IP Class IP20, Class 1
Light source GU10, Excl. light source,

FEATURES

Inside frosted glass for special effect
Chose your bulb for colour, beam angle and lumen
Frosted Glass/ Ring





2110649901



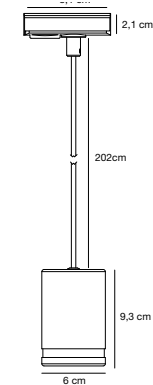
2110649903

Link Rondie

- Masterbox** Qty 3
Size H: 215,2 cm, W: 6 cm, L: 8,2 cm, Shade Ø: 6 cm
Material Metal/Plastic
IP Class IP20, Class 1
Cable: White/Black 200 cm non replaceable
Light source GU10, Excl. light source,

FEATURES

- Inside frosted glass for special effect
- Chose your bulb for colour, beam angle and lumen
- Fabric wire [two metres]
- Wire can be shortened to any desired length



omari





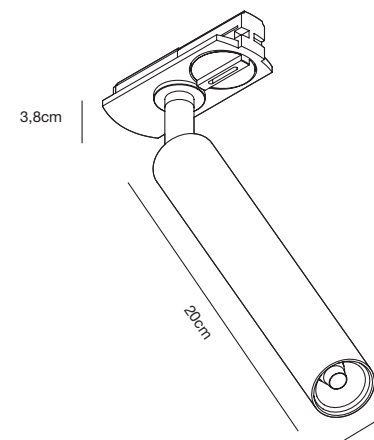
White
2112229901

Link Omari

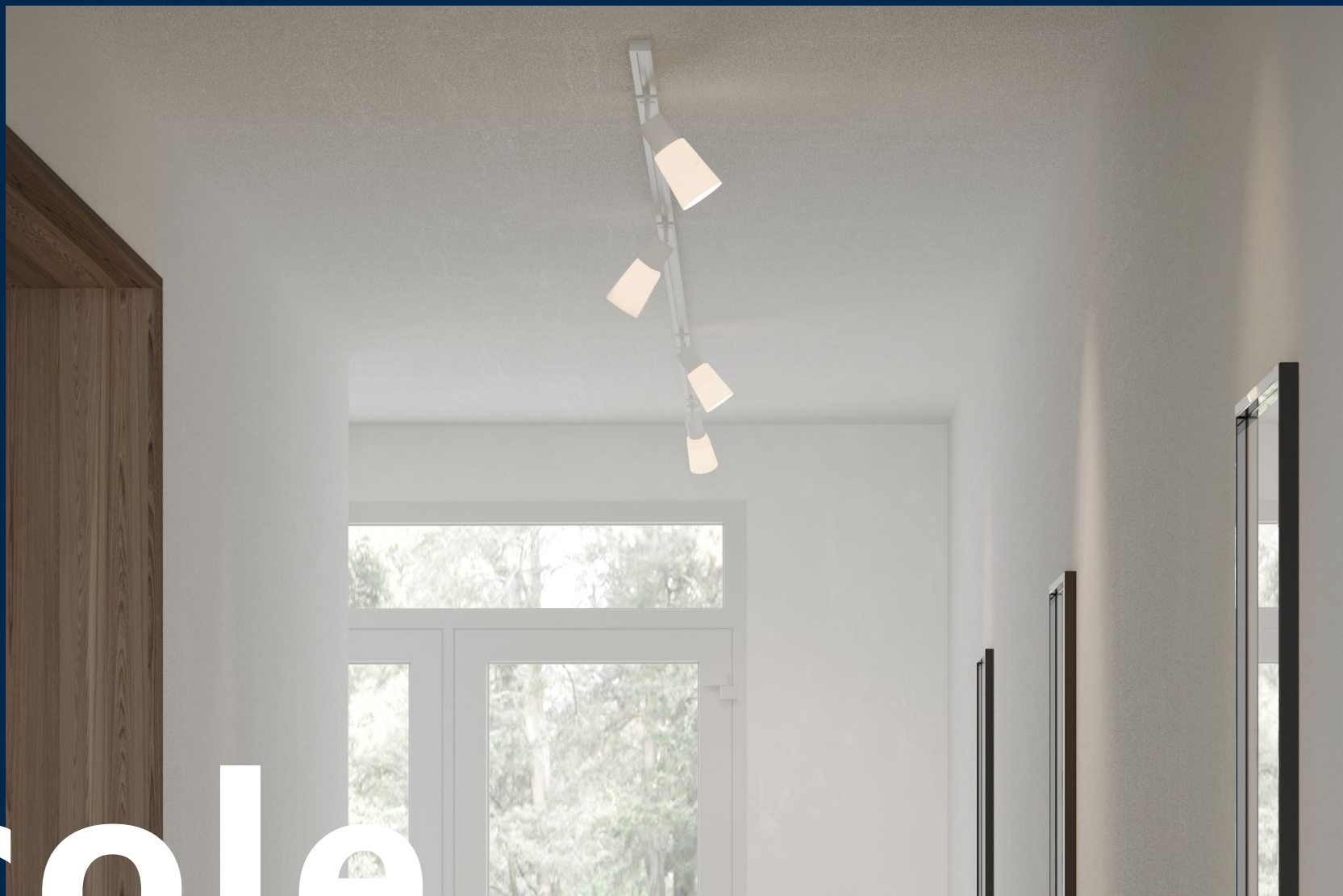
Masterbox	Qty 4
Size	H: 17 cm, W: 23 cm, Tilt angle: 320°
Material	Metal/Plastic
IP Class	IP20, Class 2
Light source	Fixed LED, Incl. 3,2W LED, Incl. 3-Step, Lumen 320, Kelvin 2700, Life hours 25.000, RA 80, Not dimmable. Energy class F.

FEATURES

5 year LED guarantee
Moodmaker™



cole





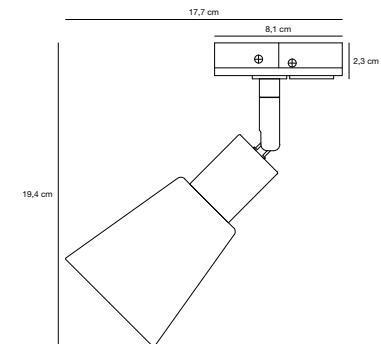
White
2112859901

Link Cole

- Masterbox** Qty 3
Size H: 19,5 cm, L: 17,6 cm, Shade Ø: 8 cm, Tilt angle: 90°
Material Metal/Glass
IP Class IP20, Class 2
Light source E14, Max. 40W, Excl. light source,

FEATURES

Ideally suited for combination with NORDLUX SMART



mib 6





White
71669901



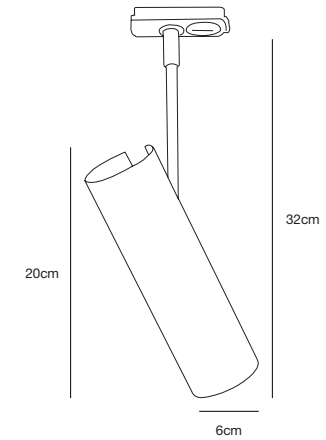
Black
71669903

Link Mib 6

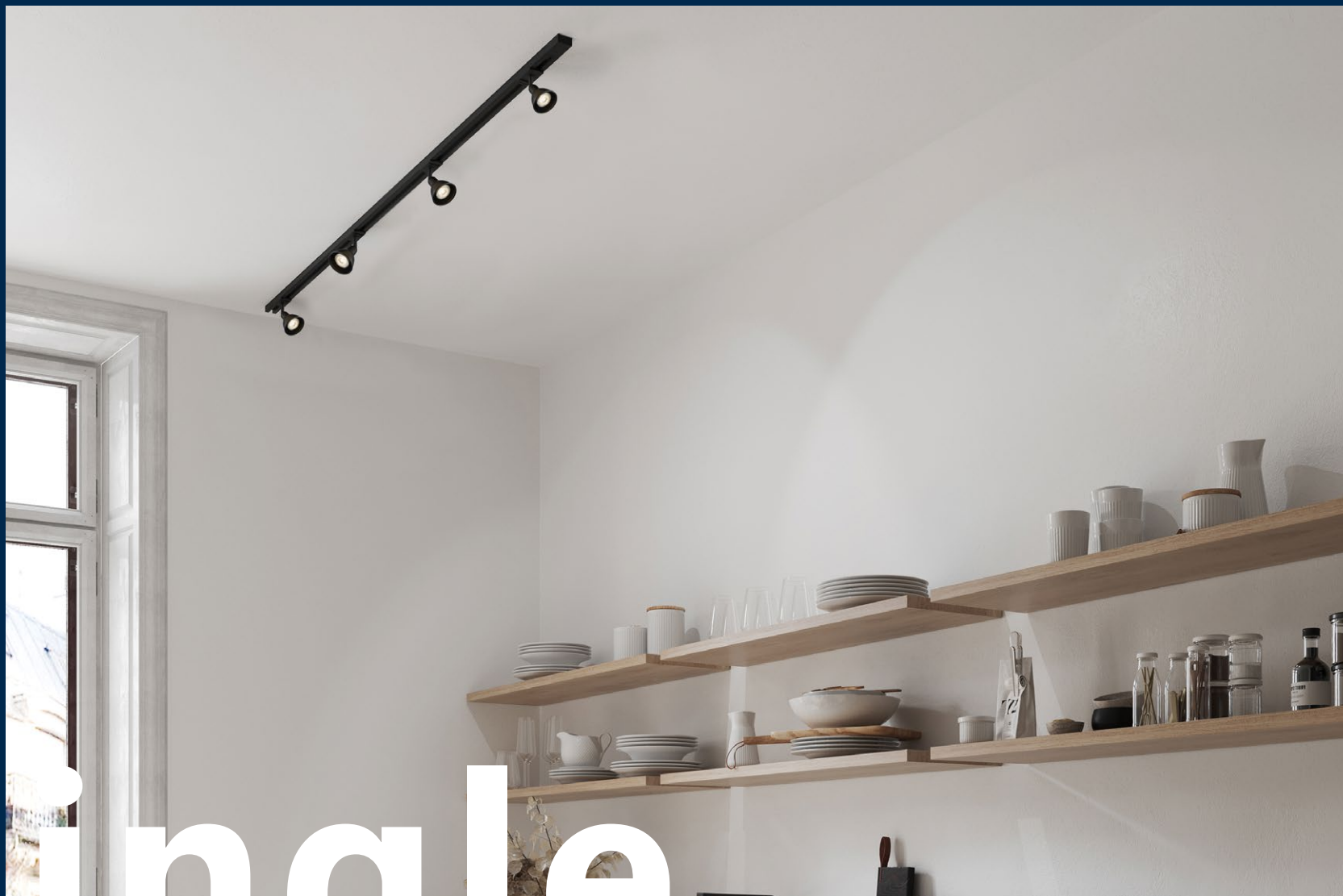
- Masterbox** Qty 3
Size H: 32 cm, Shade Ø: 6 cm, Shade H: 20 cm, Pipe Ø: 1 cm, Tilt angle: 180°
Material Metal/Plastic
IP Class IP20, Class 2
Light source GU10, Max. 8W, Excl. light source,

FEATURES

Ideally suited for combination with NORDLUX SMART



single





White
86109901



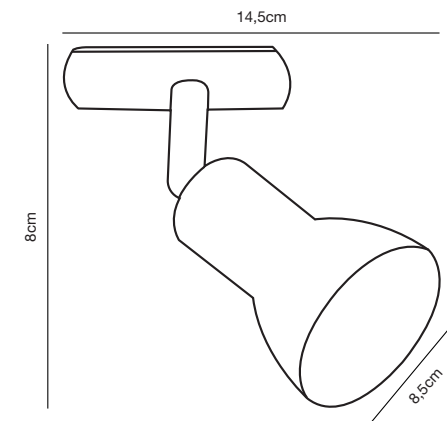
Black
86109903

Link Single

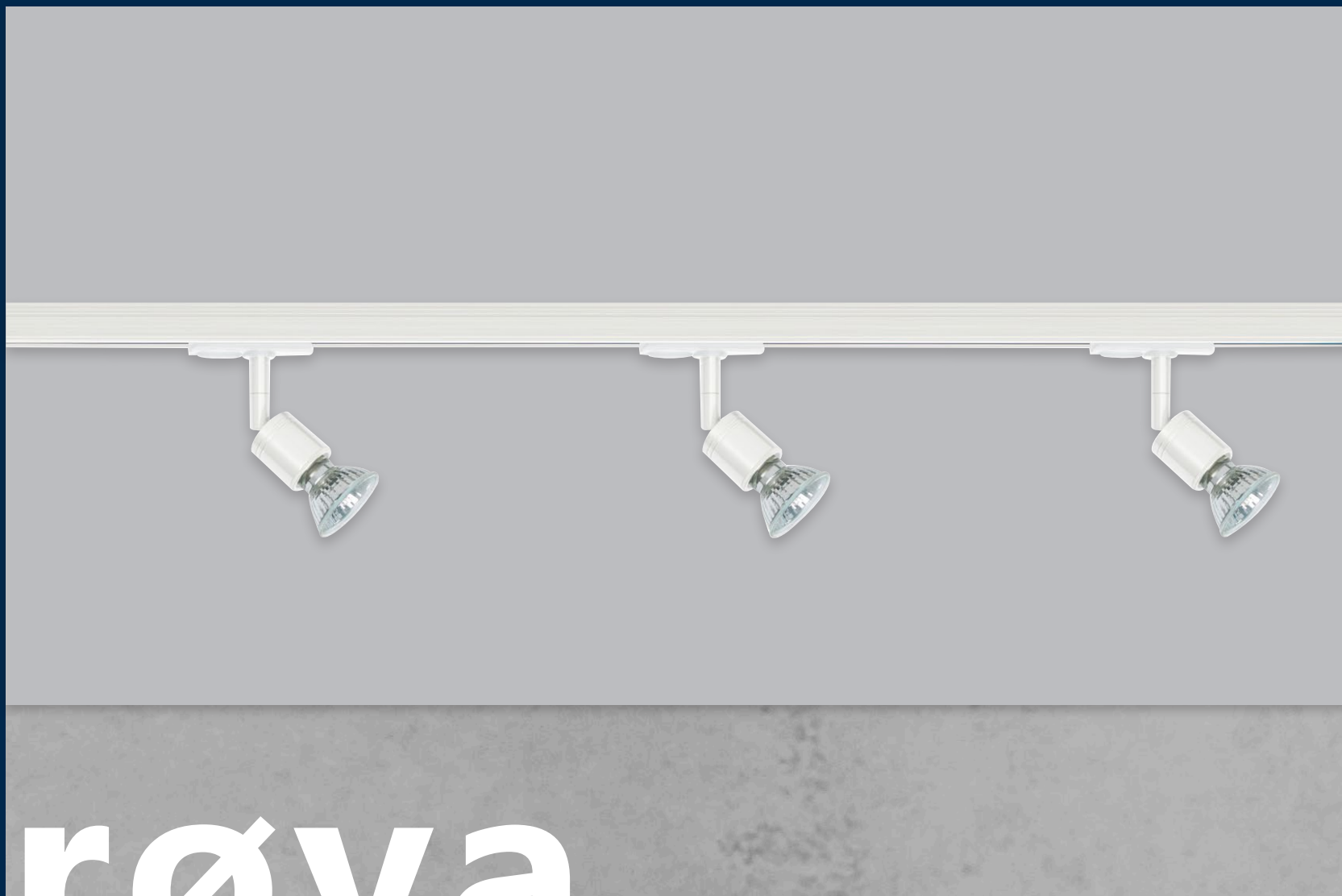
Masterbox	Qty 6
Size	L: 8 cm, D: 14,5 cm, Shade Ø: 8,5 cm, Tilt angle: 180°
Material	Metal/Plastic
IP Class	IP20, Class 1
Light source	GU10, Max. 35W, Excl. light source,

FEATURES

Ideally suited for combination with NORDLUX SMART



frøya





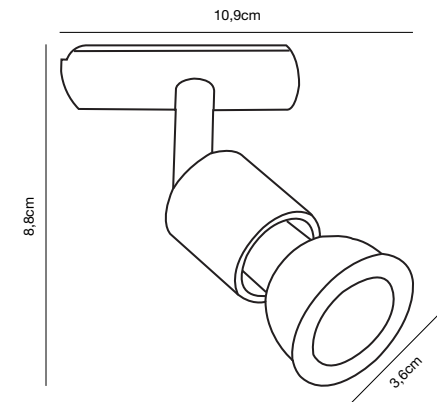
White
86119901

Link Frøya

Masterbox	Qty 3
Size	L: 10,9 cm, D: 8,8 cm, Shade Ø: 3,6 cm, Tilt angle: 180°
Material	Metal/Plastic
IP Class	IP20, Class 2
Light source	GU10, Max. 50W, Excl. light source,

FEATURES

Ideally suited for combination with NORDLUX SMART





munin



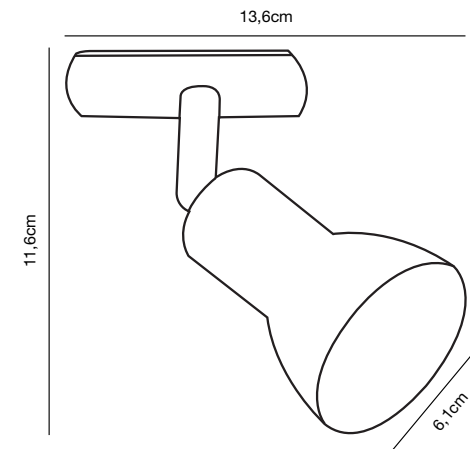
White
86129901

Link Munin

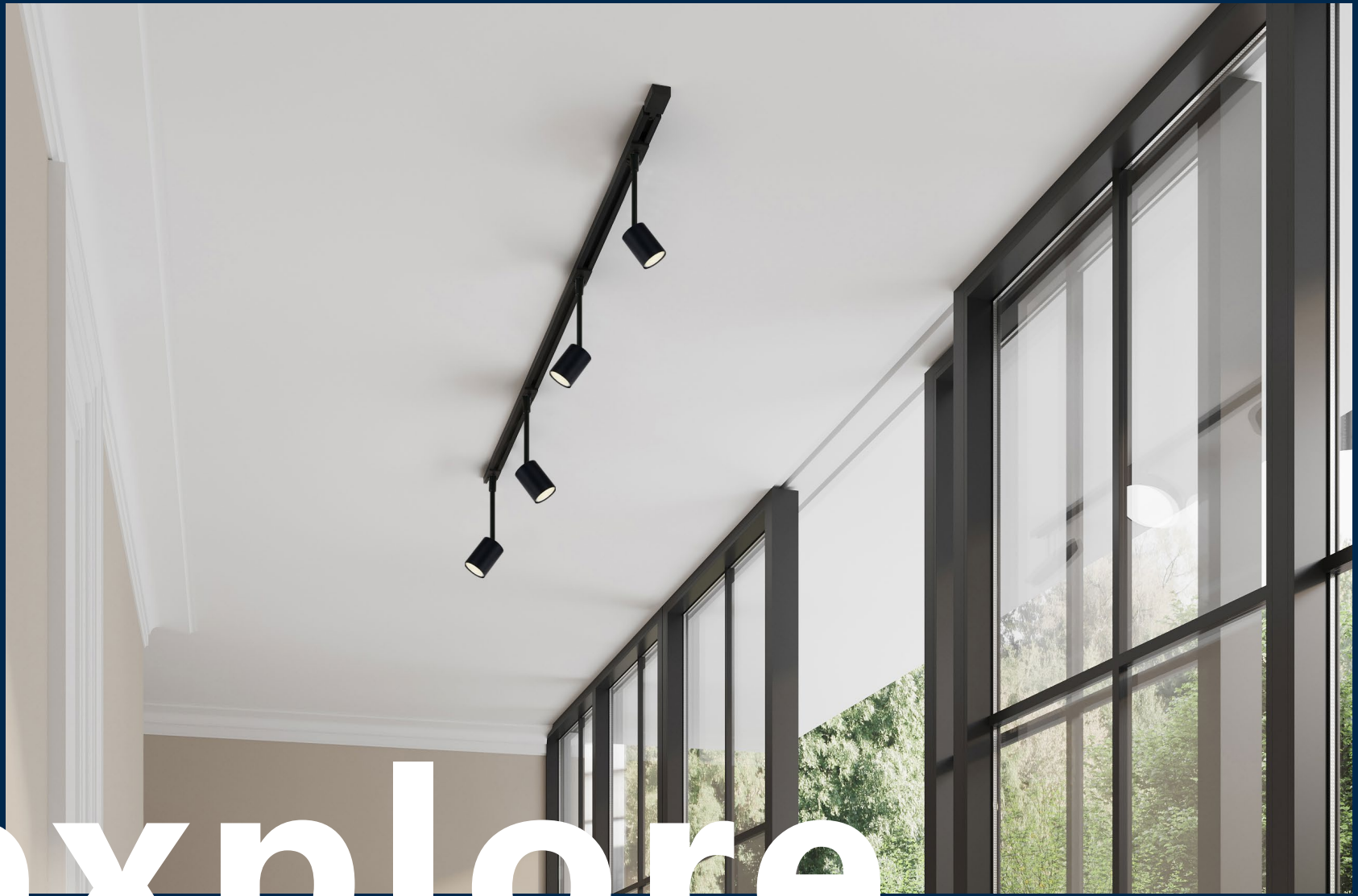
Masterbox	Qty 3
Size	H: 11,6 cm, L: 8 cm, D: 13,6 cm, Shade Ø: 6,1 cm, Tilt angle: 180°
Material	Metal/Plastic
IP Class	IP20, Class 2
Light source	GU10, Max. 35W, Excl. light source,

FEATURES

Ideally suited for combination with NORDLUX SMART



explore





White
86189901



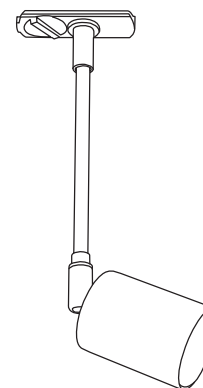
Black
86189903

Link Explore

- Masterbox** Qty 6
- Size** D: 28,5 cm, Shade Ø: 5,5 cm, Tilt angle: 180°
- Material** Metal/Plastic
- IP Class** IP20, Class 2
- Light source** GU10, Max. 7W, Excl. light source,

FEATURES

Ideally suited for combination with NORDLUX SMART



Great products supported by great marketing

Link your light – Endless possibilities

Step 01
Choose your rail

Lengths from 80 cm to 180 cm. Black or White

Step 02
Choose your accessories

Connect your system with needed adaptors. Black or White.

Step 03
Choose your light

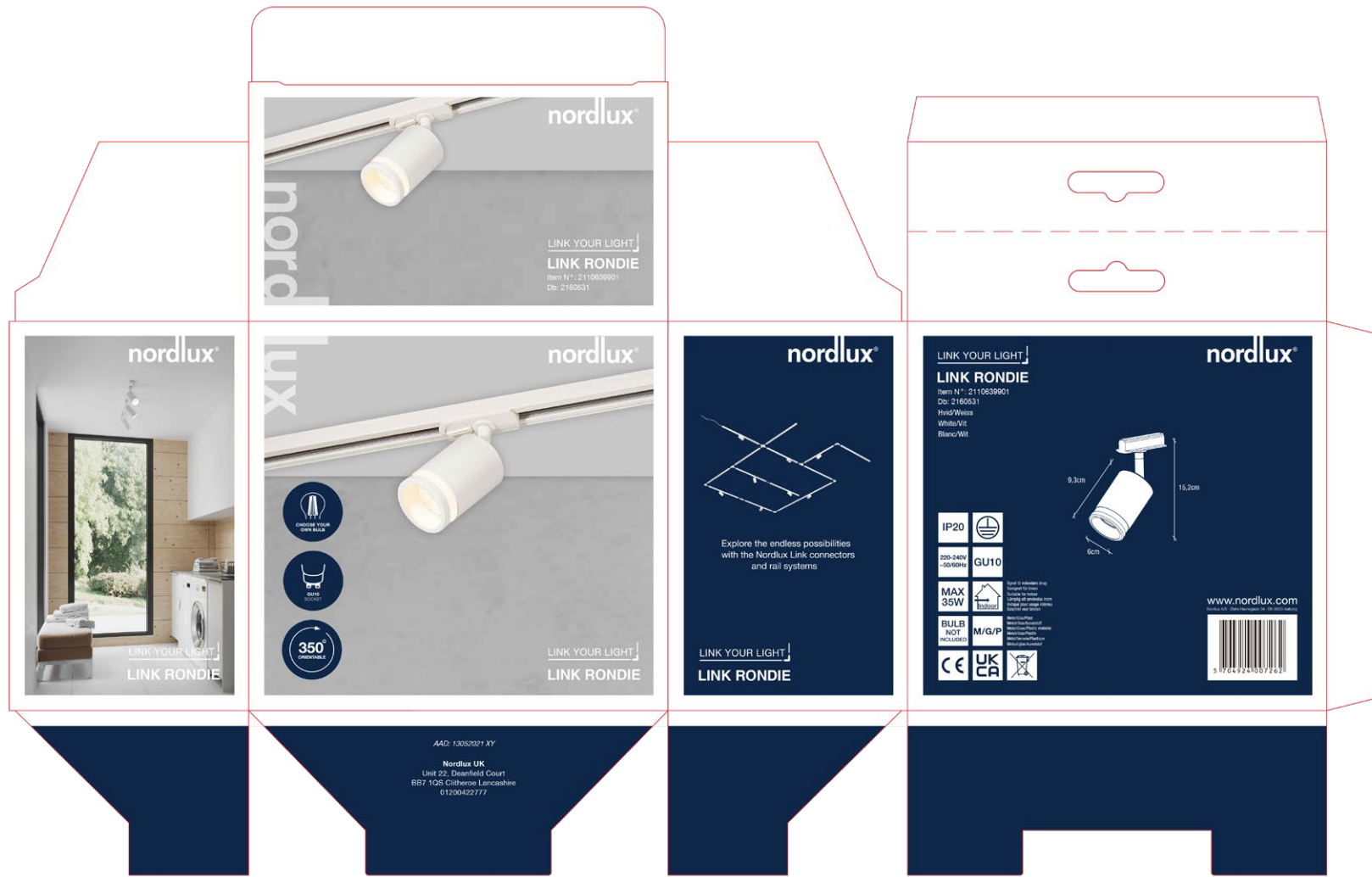
Select between xxent lightsources Link system

Link Koniekel **Link Diskie** **Link Rondie**

LINK RONDIE
 Item #: 218021
 EAN: 5902180218021
 W: 60 mm
 H: 60 mm
 L: 60 mm

IP20
 DALI
 DIMMABLE
 MAX 35W
 MULTIPRO
 MGR
 CE
 UK
 ER
 www.nordlux.com

440 180201 BY
 Nordlux UK
 Unit 21, Deepfield Court
 1007 7th Avenue, Lutterworth
 LE15 9DZ



**NEW
2021**

Improved packaging

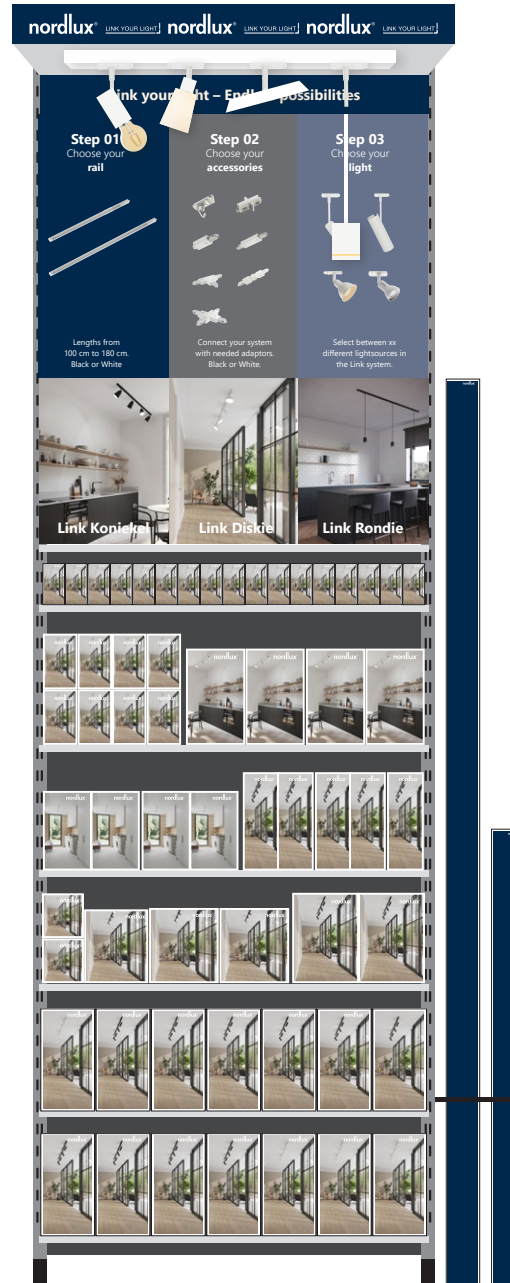
We introduce a new and improved colourbox packaging, changing from a plastic blister packaging.

The colourbox is upgraded with the following:

- Product picture on the front
- Clear icons on the front to communicate specs and USPs
- Ambience picture on the side for inspirational use
- Line drawing with measurement on the side
- A hook, so the products can both hang and be placed on the shelf

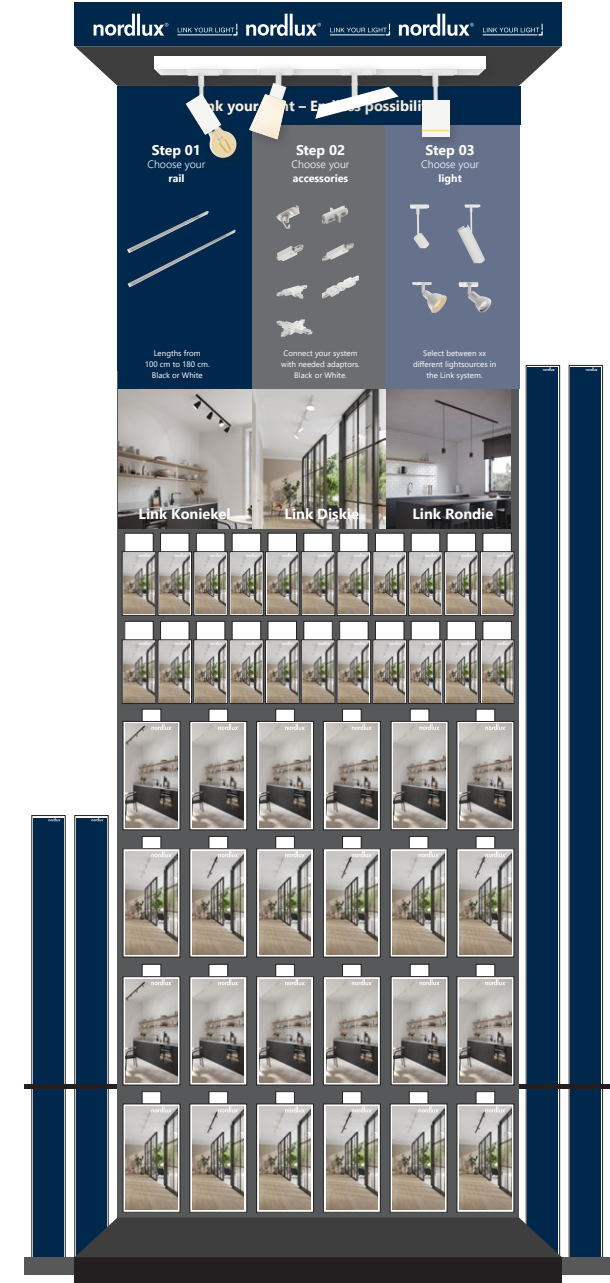
Space management support

1 M Link Shop



Posters available to order Link Shop: 41410007

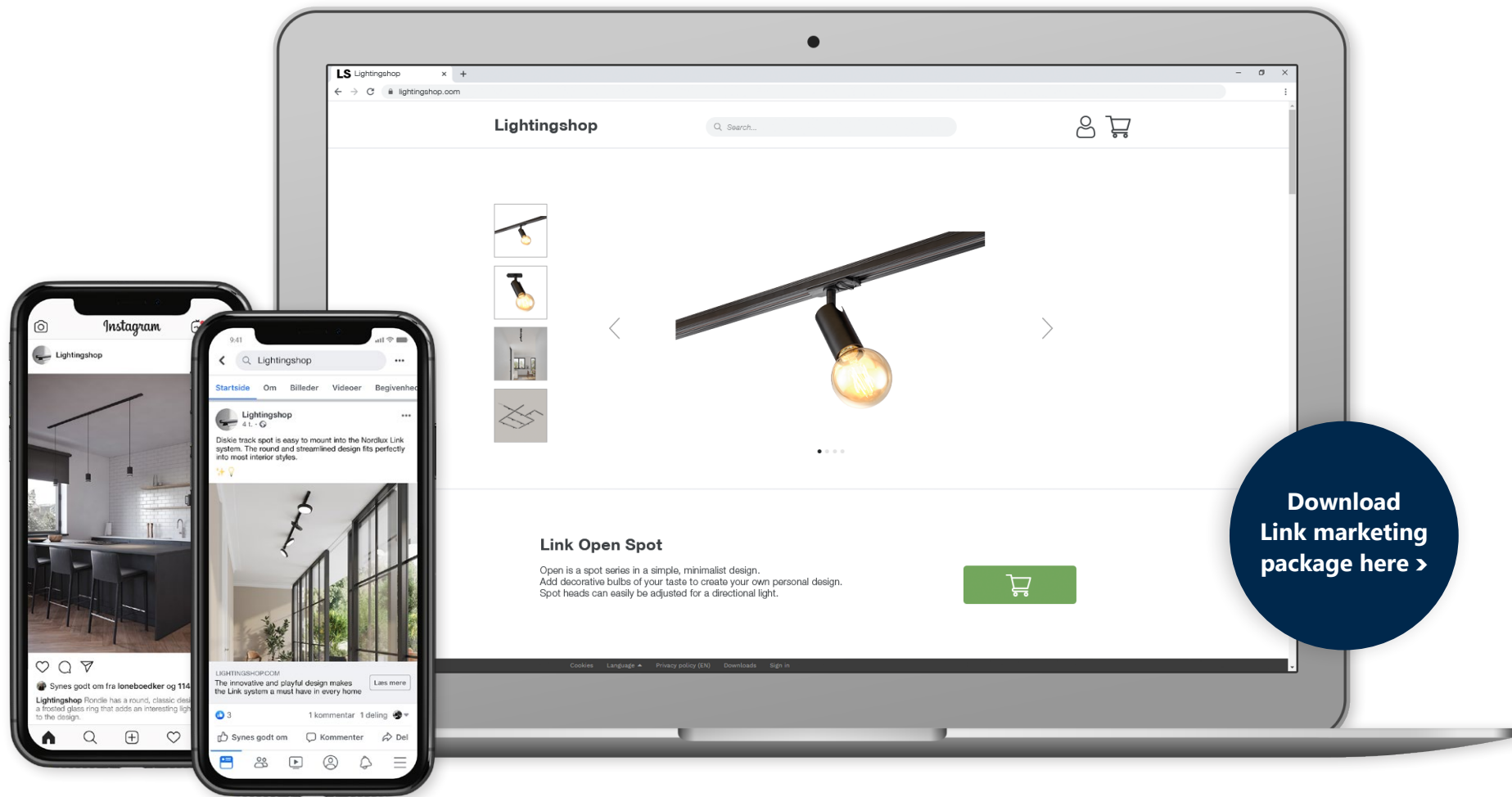
1,25 M Shelf instore solution



Posters available to order Link Shelf: 41410006

Row	Articles in Link Shop
1	79049901/79049903/79039901/79039903/ 79059901/79059903/79029901/79029903 86069901/86069903/86059901/86059903/ 79069901/79069903/86079901/86079903
2	2110619903/2110619901/2110639903/2110639901
3	2110649903/2110649901/71669901/71669903
4	86119901/86129901/86189901/86189903/ 86109901/86109903

Items on shelves, for illustration only



Marketing media support

This year, we have made it easy for you to retrieve all the marketing material you need for our decorative novelties. You will find ready-to-use ambience photos and pack shots [right here](#).

nordlux[®]
nordlux.com